



ALEXA SXT Family of Cameras

Software Update Packet 2.0

USER MANUAL

12 September 2017

Copyright

All rights reserved.

This document is provided under a license agreement containing restrictions on use and disclosure and is also protected by copyright law.

Due to continued product development this information may change without notice. The information and intellectual property contained herein is confidential between ARRI and the client and remains the exclusive property of ARRI. If you find any problems in the documentation, please report them to us in writing. ARRI does not warrant that this document is error-free.

Arnold & Richter Cine Technik
Tuerkenstr. 89
D-80799 Munich
Germany

mailto: service@arri.com
<http://www.arri.com>

Contents

1	Disclaimer.....	7
2	About This Manual.....	9
3	Scope.....	10
4	Introduction to the ALEXA SXT Camera System.....	11
5	Layout of the ALEXA.....	19
6	Safety Guidelines.....	21
6.1	Explanation of Warning Signs and Indications.....	21
6.2	General Safety Guidelines.....	21
6.3	Specific Safety Instructions.....	21
7	General Precautions.....	23
7.1	Storage and Transport.....	23
7.2	Condensation.....	23
8	Power Supply.....	24
8.1	Power Management.....	24
8.2	BAT Connector.....	24
8.3	Mains Unit NG 12/26 R.....	25
8.4	Cine-Style Batteries.....	25
8.5	Onboard Batteries.....	26
8.5.1	V-Lock Batteries.....	26
8.5.2	Gold Mount Batteries.....	27
8.6	Power Outputs.....	28
8.6.1	Powering 12 V Accessories.....	28
8.6.2	Powering 24 V Accessories.....	29
9	Camera Support.....	30
9.1	Minimum Equipment Recommended For Operation.....	30
9.2	Tripod and Remote Heads.....	30
9.3	Electronic Viewfinder EVF-1.....	30
9.3.1	Viewfinder Cables.....	31
9.3.2	Viewfinder Mounting Bracket.....	32
9.4	Center Camera Handle CCH-1.....	34
9.5	Side Camera Handle SCH-1.....	35
9.6	Bridge Plates BP-12/BP-13.....	35
9.7	Bridge Plate adapter BPA-1.....	36
9.8	Wedge Adapter WA-1 and Quick-Release Plate QR-HD-1.....	36
9.9	Levelling Block LB-1.....	36

9.10	Shoulder Pad SP-3.....	37
10	Connectors.....	38
10.1	BAT.....	39
10.2	RET SYNC IN.....	39
10.3	MON OUT 1/2/3.....	40
10.4	EXT.....	40
10.5	ETHERNET.....	40
10.6	EVF.....	40
10.7	AUDIO IN.....	40
10.8	RS.....	41
10.9	12 V.....	41
10.10	TC.....	41
10.11	AUDIO OUT.....	41
10.12	SD Card.....	41
10.13	Recording Module.....	43
11	Lens Mounting.....	47
11.1	Lens Adapter PL-Mount LA-PL-2.....	47
11.2	Lens Support.....	48
12	In-Camera Filter Module IFM-1.....	50
12.1	Safety instructions for in-camera filtration.....	51
12.1.1	Maximum lens mounting depth.....	51
12.1.2	Basic precautions.....	52
12.1.3	Required shimming and maximum lens mounting depth.....	52
12.2	Available FSND Filter Sets.....	52
12.2.1	FSND Filter Set (Basic).....	53
12.2.2	FSND Filter Set (Completion).....	53
12.2.3	FSND Filter Set (Full).....	54
12.3	Shimming the lens mount.....	55
12.4	Mounting in-camera filters.....	61
12.5	Filter cleaning.....	64
13	Camera Controls.....	66
13.1	Main Controls.....	66
13.1.1	Display.....	66
13.1.2	Screen Buttons.....	67
13.1.3	HOME screen.....	67
13.1.3.1	Lists and User Lists.....	70
13.1.3.2	FPS.....	71
13.1.3.3	AUDIO.....	72
13.1.3.4	SHUTTER.....	75
13.1.3.5	EI.....	75

13.1.3.6	COLOR.....	77
13.1.3.7	WB.....	80
13.1.4	Function Buttons.....	81
13.1.4.1	TC.....	83
13.1.4.2	INFO.....	85
13.1.4.3	USER.....	88
13.1.4.4	PLAY.....	91
13.1.5	Menu.....	94
13.1.5.1	Recording.....	94
13.1.5.2	Monitoring.....	97
13.1.5.3	Project.....	105
13.1.5.4	System.....	107
13.1.5.5	Frame Grabs.....	116
13.1.5.6	User Setups.....	117
13.2	Operator controls.....	119
13.3	EVF-1 Controls.....	120
13.3.1	Viewfinder EVF menu.....	120
13.3.2	Viewfinder CAM menu.....	122
13.4	Web Remote.....	122
14	Operation of the Camera.....	123
14.1	Internal recording.....	123
14.1.1	Recording Module.....	123
14.1.2	Internal Recording Formats.....	123
14.2	Monitoring.....	131
14.2.1	Frame Lines.....	131
14.2.2	Status Info Overlays.....	132
14.3	Using Timecode.....	134
14.4	Syncing the Sensors of Two Cameras.....	135
14.5	Syncing the Settings of Two Cameras.....	137
15	ALEXA SXT Plus.....	139
15.1	Radio System.....	140
15.2	Wireless Remote System.....	141
15.2.1	Setting the region of the wireless function.....	141
15.2.2	Lens Motors.....	142
15.2.3	Hand Units.....	143
15.3	Lens Data Display LDD-FP.....	144
15.4	Plus Camera Controls.....	144
16	ALEXA SXT W.....	150
16.1	WiFi.....	150
16.2	Wireless Video.....	151
16.2.1	Preparation.....	152
16.2.2	Status LEDs.....	153

16.2.3	Pairing camera and receivers.....	153
16.2.4	Supported resolutions.....	154
16.2.5	Supported frequencies.....	155
16.2.6	Sample setups.....	155
16.2.7	Software update.....	156
17	ALEXA SXT Studio.....	157
17.1	ALEXA Studio Images.....	157
17.2	Optics.....	159
17.2.1	Electronic Mirror Shutter.....	159
17.2.2	Lens Adapter PL Mount LA-PL-2.....	159
17.2.3	Optical Viewfinder.....	161
17.2.4	ND Filter.....	167
17.3	Studio Camera Controls.....	168
18	Remote Control Unit RCU-4.....	172
19	Index.....	173
20	Appendix.....	175
20.1	Technical data.....	175
20.2	Connector Pin Outs.....	177
20.3	False Color Display.....	182
20.4	Warning and Error Messages.....	183
20.5	Dimensions and Weights.....	188
20.6	Declarations of Conformity.....	189

1 Disclaimer

Before using the products described in this manual be sure to read and understand all respective instruction.

The ARRI ALEXA is only available to commercial customers. The customer grants by utilization that the ARRI ALEXA or other components of the system are deployed for commercial use. Otherwise the customer has the obligation to contact ARRI preceding the utilization.

While ARRI endeavors to enhance the quality, reliability and safety of their products, customers agree and acknowledge that the possibility of defects thereof cannot be eliminated entirely. To minimize risk of damage to property or injury (including death) to persons arising from defects in the products, customers must incorporate sufficient safety measures in their work with the system and have to heed the stated canonic use.

ARRI or its subsidiaries do not assume any responsibility for incurred losses due to improper handling or configuration of the camera or other system components, due to sensor contamination, occurrence of dead or defective pixels, defective signal connections or incompatibilities with third party recording devices.

ARRI assumes no responsibility for any errors that may appear in this document. The information is subject to change without notice.

For product specification changes since this manual was published, refer to the latest publications of ARRI data sheets or data books, etc., for the most up-to-date specifications. Not all products and/or types are available in every country. Please check with an ARRI sales representative for availability and additional information.

Neither ARRI nor its subsidiaries assume any liability for infringement of patents, copyrights or other intellectual property rights of third parties by or arising from the use of ARRI products or any other liability arising from the use of such products. No license, express, implied or otherwise, is granted under any patents, copyrights or other intellectual property right of ARRI or others.

ARRI or its subsidiaries expressly exclude any liability, warranty, demand or other obligation for any claim, representation, or cause, or action, or whatsoever, express or implied, whether in contract or tort, including negligence, or incorporated in terms and conditions, whether by statute, law or otherwise. In no event shall ARRI or its subsidiaries be liable for or have a remedy for recovery of any special, direct, indirect, incidental, or consequential damages, including, but not limited to lost profits, lost savings, lost revenues or economic loss of any kind or for any claim by third party, downtime, good-will, damage to or replacement of equipment or property, any cost or recovering of any material or goods associated with the assembly or use of our products, or any other damages or injury of the persons and so on or under any other legal theory.

In the case one or all of the foregoing clauses are not allowed by applicable law, the fullest extent permissible clauses by applicable law are validated.

ARRI is a registered trademark of Arnold & Richter Cine Technik GmbH & Co Betriebs KG.

The ALEXA viewfinder EVF-1 contains proprietary technology owned by Fourth Dimension Displays Limited and licensed by ARRI.

This product contains licensed technology from Linotype.

Quicktime and Quicktime logo are trademarks or registered trademarks of Apple Computer, Inc., used under license therefrom.

Apple ProRes 422 Proxy, Apple ProRes 422 LT, Apple ProRes 422, Apple ProRes 422 HQ, Apple ProRes 4444, Apple ProRes 444 XQ, and the ProRes logo are trademarks or registered trademarks of Apple Computer, Inc., used under license therefrom.

SxS and **SXS** are trademarks of SONY corporation.

mkdosfs

Portions ©1998, Robert Nordier. All Rights Reserved.

© 1998, Robert Nordier. All rights reserved.

Redistribution and use in source and binary forms, with or without modification, are permitted provided that the following conditions are met:

Redistributions of source code must retain the above copyright notice, this list of conditions and the following disclaimer.

Redistributions in binary form must reproduce the above copyright notice, this list of conditions and the following disclaimer in the documentation and/or other materials provided with the distribution.

THIS SOFTWARE IS PROVIDED BY THE AUTHOR(S) "AS IS" AND ANY EXPRESS OR IMPLIED WARRANTIES, INCLUDING, BUT NOT LIMITED TO, THE IMPLIED WARRANTIES OF MERCHANTABILITY AND FITNESS FOR A PARTICULAR PURPOSE ARE DISCLAIMED. IN NO EVENT SHALL THE AUTHOR(S) BE LIABLE FOR ANY DIRECT, INDIRECT, INCIDENTAL, SPECIAL, EXEMPLARY, OR CONSEQUENTIAL DAMAGES (INCLUDING, BUT NOT LIMITED TO, PROCUREMENT OF SUBSTITUTE GOODS OR SERVICES; LOSS OF USE, DATA, OR PROFITS; OR BUSINESS INTERRUPTION) HOWEVER CAUSED AND ON ANY THEORY OF LIABILITY, WHETHER IN CONTRACT, STRICT LIABILITY, OR TORT (INCLUDING NEGLIGENCE OR OTHERWISE) ARISING IN ANY WAY OUT OF THE USE OF THIS SOFTWARE, EVEN IF ADVISED OF THE POSSIBILITY OF SUCH DAMAGE.

2 About This Manual

ARRI recommends that all users of the ALEXA read the manual in its entirety prior to use. For experienced users, the manual's structure also provides quick access for reference.

How to Use This Manual

All directions are given from a camera operator's point of view. For example, camera-right side refers to the right side of the camera when standing behind the camera and operating it in a normal fashion.

Connectors are written in all capital letters, for example, MON OUT. Menus and screens on the Main Camera Controls are written in all capital letters, for example, RECORDING menu and HOME screen. Buttons are written in italic typeface capital letters, for example, *PLAY* button.

The appendix at the back of the manual contains useful reference material including ALEXA specifications, connector pin-out diagrams, a false color display explanation, error and warning message explanations, ALEXA dimensional drawings and a menu structure tree.

3 Scope

This instruction manual applies to the following hardware, software and firmware versions:

ALEXA SXT EV, ALEXA SXT Plus, ALEXA SXT W: with Electronic Viewfinder EVF-1;

ALEXA SXT Studio: with optical viewfinder or with Electronic Viewfinder EVF-1;

Camera Software Update Packet (SUP) for ALEXA SXT cameras: 2.0

Document revision history

Document ID: 10001880

Version	Release	Date
1.0	K09044	23 November 2016
2.0	K09398	12 September 2017

4 Introduction to the ALEXA SXT Camera System

ALEXA SXT (Super Xtended Technology) is an extraordinary 35mm format digital camera system designed for motion pictures and television, consisting of four cameras and an extensive range of primes, zooms, accessories and recording solutions. Combining innovative digital technology with a century of ARRI history and experience has created a camera system that makes it easy to create great looking images.

ALEXA's stellar overall image quality makes ALEXA images future-proof, no matter what the intended delivery format. Whether in High Dynamic Range (HDR), with delivery resolutions anywhere from HD to 4K or when being used with spherical or anamorphic lenses, ALEXA images look spectacular. ALEXA's reliability, simplicity of operation, as well as unequalled workflow efficiency and versatility ensures lowest overall production costs.

What's New in ALEXA SXT Cameras?

ALEXA SXT cameras share the same high-performance electronics and image processing with the ALEXA 65, and the same look management and noise reduction as can be found in ALEXA Mini and AMIRA. A new media bay allows the use of new high speed and high capacity SXR Capture Drives, as well as XR Capture Drives, SxS PRO, SxS PRO+ and CFast 2.0 cards.

New recording formats

- Carefully fine-tuned recording options for any production
- All sensor modes now available in ARRIRAW and ProRes
- ProRes 4K UHD
- ProRes 4K Cine
- ProRes 2K anamorphic
- ProRes 4K Cine anamorphic
- Open Gate ProRes 3.4K
- ARRIRAW 3.2K

New ARRI Look Management

- comprehensive look management from pre-production to post-production
- ARRI Look File ALF-2 with 3D LUT, CDL values and name of target color space
- looks are always stored in metadata
- live grading on-set
- automated dailies
- editing with looks

Super flexible on-set monitoring

- High Dynamic Range (HDR) monitoring
- four independent monitoring outputs
- Rec 709 or Rec 2020 output

Integrated HD video transmitter and WiFi radio (SXT W only)

- wireless HD monitoring
- wireless color management on-set
- wireless camera remote control

Improved image quality

- optional mild ARRI Noise Reduction (ANR)
- advanced defect pixel correction
- 3D LUTs provide more flexibility for baked-in looks

Single speed mode**New media bay and drives**

- supports SxS PRO, SxS PRO+ and CFast 2.0 cards
- supports XR Capture Drives and SXR Capture Drives
- new SXR Capture Drives are modern high capacity and high speed drives
- new SXR Capture Drive Dock (Thunderbolt)

ALEXA SXT Camera Models

The **ALEXA SXT EV** (Entry Version) provides the most affordable entry with full ALEXA image quality, a Super 35 Open Gate sensor, ARRI Lens Data System, as well as in-camera ARRIRAW and ProRes recording in a variety of recording formats.

The **ALEXA SXT Plus** is a true allrounder. On top of the ALEXA SXT EV features, the ALEXA SXT Plus provides an integrated wireless radio for camera and lens remote control (with the ARRI Electronic Control System (ECS) or cmotion evolution system), Lens Data System, built-in tilt and roll sensors, as well as additional connectors for remote control, video outputs (HD-SDI) and accessory power (RS).

The **ALEXA SXT W** (Wireless) is the most versatile and flexible of the ALEXA SXT cameras. The SXT W is based on the ALEXA SXT Plus and extends its features with an integrated HD video transmitter and an integrated WiFi radio.

The flagship of the range, the **ALEXA SXT Studio**, is the only digital motion picture camera with an optical viewfinder and a rotating mirror shutter.

ALEXA SXT Main Features**Best Overall Image Quality**

- Film-like, organic look
- High Dynamic Range
 - 14+ stops dynamic range over the entire EI range as measured with the ARRI Dynamic Range Test Chart
 - gentle highlight roll-off
 - low noise floor
 - holds up extremely well when over or underexposed
 - future proof for High Dynamic Range (HDR) displays
- Sharp, natural images for HD, 2K, 4K UHD and 4K Cine deliverables
- Unique tall sensor is ideal for anamorphic lenses
- High Frame Rate (HFR)
 - up to 120 fps in full image quality
- High sensitivity
 - true base sensitivity of EI 800
 - adjustable from EI 160 to EI 3200
- ARRI color science
 - natural color reproduction, especially for skin tones
 - excellent color separation

- great at resolving mixed color temperature sources
- optional mild ARRI Noise Reduction (ANR)

All ALEXA cameras provide the best looking digital image with the least amount of fuss. This is made possible by a unique imaging chain consisting of a high-end optical low pass filter, a custom made CMOS sensor, as well as custom electronics and processing software. Carefully crafted by ARRI engineers, these components work together to produce images with the organic look and feel of film.

The ALEXA has the highest dynamic range of any digital production camera, with special consideration given to a gentle highlight treatment. Creating a good looking roll-off in the highlights is probably one of the most difficult tasks for any camera designer. We have spent enormous resources to ensure ALEXA's outstanding performance in the critical area between almost overexposed and fully overexposed. ALEXA footage is (and has been since its introduction in June, 2010) the best starting point for creating stunning images for the emerging High Dynamic Range (HDR) display technologies.

By striking a perfect balance between photosite size and number, ALEXA's 3.4K sensor is able to produce beautiful, natural looking images for HD, 2K, 4K UHD and 4K Cine deliverables.

ALEXA is the only camera on the market with a sensor that is tall enough for anamorphic lenses to be used just as they were on film cameras. In addition, the ability to record at up to 120 fps in full image quality means that High Frame Rate (HFR) shooting can also be accommodated.

ALEXA's high sensitivity and its ability to hold up very well, even when extremely under or overexposed, work on any real-world set. ALEXA's color processing was developed by our own color scientists (who have been also working on the ARRILASER and ARRISCAN, so are intimately familiar with both film and digital color science), and creates clean and natural colors, especially noticeable in ALEXA's great looking skin tones. The low noise floor and great color separation helps greatly in color correction and compositing, aided, when needed, by the mild ARRI Noise Reduction (ANR).

Our goal is creating the best looking images. When assessing imaging technologies, we ask if they improve image quality, disregarding the marketing hype.

Efficient and Versatile Workflows

Multiple recording and monitoring options

- record/play back ARRIRAW or ProRes
- multiple recording media
- 14 recording formats
- ARRI Look Management
- super flexible on-set monitoring
- embedded rich metadata in ARRIRAW, ProRes and HD-SDI out

In-camera ARRIRAW

- uncompressed, unencrypted raw sensor data
- maximum image quality from ALEXA
- greatest flexibility in post
- best option for future-proof archiving
- published in SMPTE RDD 30:2014 and 31:2014

In-camera Apple ProRes™

- compressed color image data
- native Final Cut Pro X support

- ProRes 422, 422 HQ, 4444 and 4444 XQ
- pre-recording

Multiple recording media

- supports SxS PRO, SxS PRO+ and CFast 2.0 cards
- supports XR capture Drives and SXR Capture Drives

14 recording formats

- Carefully fine-tuned recording options for any production
- All sensor modes in ARRIRAW and ProRes
- Multiple resolutions: HD, 2K, 3.2K, 3.4K, 4K UHD and 4K Cine
- In-camera de-squeezed ProRes for most economical anamorphic shooting

ARRI Look Management

- Comprehensive look management from pre-production to post-production
- ARRI Look File ALF-2 with 3D LUT, CDL values and name of target color space
- looks are always stored in metadata
- live grading on-set
- wireless color management on-set with the WiFi module (SXT W only)
- automated dailies
- editing with looks

Super flexible on-set monitoring

- four independent monitoring outputs
- High Dynamic Range (HDR) monitoring
- Rec 709 or Rec 2020 output
- streaming metadata in HD-SDI for immediate use
- wireless HD monitoring with the HD video transmitter (SXT W only)

Online tools and free Mac applications

- Online Lens Illumination Guide
- Online Frameline Composer
- ARRI Formats & Datarate Calculator
- Online Camera Simulator
- Online LUT Generator
- ARRIRAW Converter (ARC)
- ARRI Color Tool (ACT)
- ARRI Meta Extract (AME)

All productions benefit from using an ALEXA SXT, because of the efficiency and versatility of the ALEXA workflows. ALEXA SXT cameras can record and play back ARRIRAW or Apple ProRes in one of 14 recording formats. Whatever the budget, intended market, resolution requirements, aspect ratio, lens choices or postproduction intentions, there is an ideal ALEXA SXT recording format to ensure easy operation on-set and a seamless image pipeline. ALEXA SXT cameras work with SxS PRO cards, SxS PRO+ cards, CFast 2.0 cards, XR Capture Drives and SXR Capture Drives.

ARRIRAW is an unencrypted, uncompressed raw image format that contains the full raw data from the sensor for the absolute best image quality. For greatest flexibility in post, nothing is "baked" into an ARRIRAW image. Therefore image-processing steps like debayer, white balance, sensitivity or resampling can be optimized in post, based on image content and intent. Since we openly publish the ARRIRAW specs, ARRIRAW is also an excellent future-proof archiving format.

ProRes is the native file format used by Apple's Final Cut Pro software. ProRes provides a high image quality while using compression to reduce file size and thus costs. Different ProRes flavors are available with different compression ratios (422, 422 HQ, 4444 and 4444 XQ) for a trade-off between image fidelity and file size/costs. Productions appreciate the immediacy of ProRes, as it can be viewed on any Mac without special tools and there is an extensive infrastructure readily available to process ProRes files. ALEXA is capable of pre-recording with all ProRes recording formats.

The new ARRI Look Management provides comprehensive look management from pre-production through post-production, protecting the intended look of the cinematographer in an easy and transparent manner. The new ARRI Color Tool (ACT) is used to create the new ARRI Look File (ALF-2), which contains a 3D LUT, CDL values and the name of the target color space. The ALF-2 look file is always stored in metadata. A software library enables third parties to incorporate this look management system into their products, leading to exciting new applications, including live on-set grading, automated dailies and editing with looks.

Special attention has been paid to provide the most flexible on-set monitoring experience for the crew. Four independent monitoring outputs (the electronic viewfinder and three HD-SDI outputs) allow each crewmember to customize the image they need to see. The HD-SDI outputs support Rec 709 and Rec 2020, as well as Standard Dynamic Range (SDR) and High Dynamic Range (HDR) monitors. In addition, the ALEXA SXT W camera can be monitored wirelessly with the integrated HD video transmitter.

All files recorded with ALEXA SXT contain rich metadata that speeds up post-production. Metadata is also streamed as part of the HD-SDI outputs for immediate use.

A number of useful online tools and free Mac programs complete the workflow.

So, disregarding if you want to shoot a low budget TV series or Martin Scorsese's next big Hollywood feature film, ALEXA SXT cameras can be easily configured for the task at hand.

Simple and Safe Operation

- ARRI Product Quality
- Rugged and reliable
 - sealed electronics compartment
 - unique cooling system
 - stable lens mount/sensor holder
 - continuous file closing protects footage
 - ARRIRAW checksum for safe and fast downloading
 - self-healing metadata
 - two auto-switching power inputs
- Intuitive, easy to use controls
 - on-camera and EVF-1 controls
 - remote control through WCU-4, RCU-4 and Web Remote
- High quality internal Full Spectrum Neutral Density (FSND) filters
 - neutral color balance at all densities from ND 0.3 to ND 2.4
- High quality electronic viewfinder
- Powerful assistive displays, including
 - surround view
 - anamorphic de-squeeze

- false color exposure check
- smooth mode for better motion portrayal
- peaking focus check
- electronic horizon
- compare stored image with live image
- RETURN IN video
- Well balanced, ergonomic body design
- Global ARRI service network

ALEXA SXT cameras are part of a long heritage of cameras from ARRI, and we are quite familiar with the sometimes extreme and nightmarish things our cameras have to endure in the field. We just have to go into our own service department to see the carnage. Keeping that in mind, ALEXA SXTs are built to be rugged and reliable with a sealed electronics compartment, a unique cooling system and the most stable lens/sensor mount German engineering could devise. A special method of continuously closing and re-opening container files ensures that very little image data is lost during a power interruption, and the camera will heal any metadata damage automatically. A checksum for ARRIRAW ensures safe and fast downloading.

We know what it is like to try to change fps and shutter angle at 4:00 am in the morning in the rain after a long night's shoot. Professional cameras need to be simple to operate, and they need to make sure that a good looking image is recorded, no matter what. For ALEXA we have developed an intuitive user interface that is easy to learn and quick to operate. The same interface is used on all models of ALEXA, all with the same on-camera menu, buttons, etc., so there is no learning curve when using another ALEXA model. Remote control of an ALEXA is possible through the wireless WCU-4, the cabled and extremely sturdy RCU-4 or through any computer with the ALEXA Web Remote.

Using internal ND filters allows a rating at the base sensitivity of EI 800 without the need for external ND filters, even in bright sunlight. ALEXA's Full Spectrum Neutral Density (FSND) filters offer light attenuation that maintains a neutral color balance at all densities.

Critically important to camera operators is the viewfinder. Based on our experience with optical viewfinders, ALEXA's electronic viewfinder provides an exceptionally clear image with natural skin tones and smooth motion portrayal that is easy on the eye. For those who prefer optical viewfinders, the ALEXA SXT Studio can be operated with an optical or electronic viewfinder. The electronic viewfinder includes powerful assistive displays like surround view, anamorphic de-squeeze, false color exposure check, smooth mode, peaking and an electronic horizon. In order to check previz footage or the image from a second camera, ALEXA has a::SPACE SPACE::IN video input, and when it is critical to perfectly line up a product shot, it is possible to compare a stored still image with the live camera image.

The hardware of the camera is designed for the best and most ergonomic use on the set, including a built-in shoulder cut-out, many attachment points on the camera's precision machined housing and a large variety of accessories. With meticulous attention to detail we have added many small but helpful design refinements, including built-in supports for 15 mm lightweight. Additionally, the camera has various extrusions (eyebrows) above some buttons so the operator can feel the button's position even from the other side of the camera or when shooting in low light. The same care has been taken to ensure compatibility with the extensive range of existing accessories.

ALEXAs are well balanced and can be quickly switched from shoulder use to tripod, crane or Steadicam. They accept a wide range of power input from 10.5 to 34 V DC. Multiple power sources can be simultaneously connected (with hot-plug capability) and a smart circuit will automatically switch to the one with the highest voltage.

All ALEXA SXTs are backed by ARRI's global service network, providing a friendly ARRI service technician accessible 24/5.

Open, Future-proof Architecture

- Compatibility with industry standards
 - Super 35 PL mount lenses
 - Apple ProRes, HD-SDI
 - SxS PRO, SxS PRO+ and CFast 2.0 cards
 - Gold mount or V-lock on-board batteries
 - 12 or 24 V power inputs and outputs
 - support for ARRI ECS and cmotion evolution wireless lens control systems
- ARRI Partner Program
 - ARRI Look Management library
 - ARRIRAW Software Developers Kit (SDK)
 - ARRI Metadata Bridge (AMB) library
 - White papers and information about ARRI color science
- Flexible upgrade options
 - upgradable in-camera recording module
 - upgradable electronics interface module (Plus side panel)
 - upgradable HD video transmitter and WiFi radio (SXT W upgrade)
 - Exchangeable Lens Mount (ELM)
 - free Software Update Packets (SUPs)
- Long and reliable product cycles

We are open to equipment and standards from other manufacturers, as can be seen in ALEXA's compatibility with Super 35 PL mount lenses, SxS PRO, SxS PRO+ and CFast 2.0 cards, Apple ProRes, HD-SDI, Gold or V-mount on-board batteries, the cmotion lens control system and both 12 and 24V accessories. We want to make sure that you can put together the right ALEXA package with the accessories you want.

To ensure a smooth workflow, we share our know-how with third parties through the ARRI Partner Program. The ARRI Look Management library allows third parties access to all look management functions found in the ARRI Color Tool, including the ability to change looks live in-camera. The ARRIRAW Software Development Kit (SDK) allows them to integrate the ARRI debayering algorithm and various other image processing steps into their own products. The ARRI Metadata Bridge (AMB) tackles the tricky problem of getting metadata from the ARRIRAW or ProRes recording files into the file formats (DPX and OpenEXR) of those who can actually benefit from the metadata. We have published our color science in various white papers and the ARRIRAW debayering method in two SMPTE Recommended Disclosure Documents (RDD 30:2014 and RDD 31:2014).

In addition, ALEXAs can be upgraded, as we have shown with numerous hardware upgrades in the past. The Software Upgrade Packets (SUPs) are continuously improving ALEXA cameras with new and exciting features. All this, combined with our long product cycles, creates a sustainable business model for all owners of ARRI cameras.

Older Generation ALEXA Cameras

ALEXA Classic Cameras

First generation ALEXAs are called ALEXA Classic cameras. They were released between 2010 and 2012. They have exceptional image performance and are simple to operate, reliable in the most extreme environments and versatile enough to cover a

wide range of workflows and budgets. ALEXA Classic camera models are the ALEXA, ALEXA Plus, ALEXA Plus 4:3, ALEXA M, ALEXA Studio, ALEXA HD and ALEXA HD Plus. The ALEXA HD and HD Plus are the basis for the ALEXA Fiber Remote Option (FRO) and Fiber Remote Option Plus camera sets. All ALEXA Classic cameras are equipped with an SxS Module located on the left side of the camera with two slots for SxS PRO or SxS PRO+ cards.

ALEXA XT Cameras

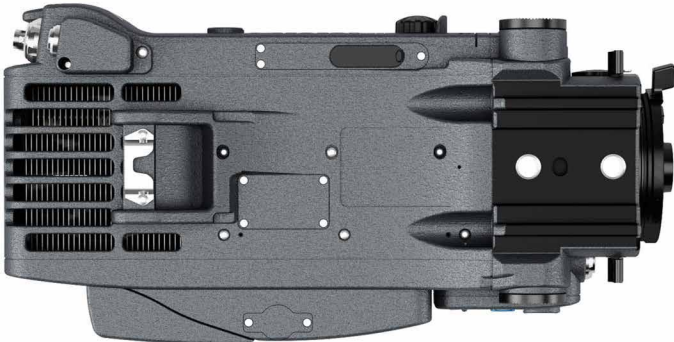
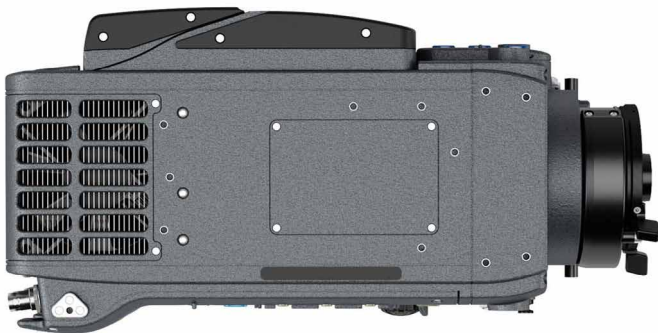
Second generation ALEXAs are called ALEXA XT cameras (Xtended Technology), sold from 2013 until 2016. In addition to all the features of the ALEXA Classic cameras, they are equipped with a Super 35 sensor with Open Gate and 4:3 sensor modes, in-camera ARRIRAW up to 120 fps, ProRes 4444 XQ, ProRes 3.2K, internal FSND filters, Lens Data System, integrated CDL capture and ARRIRAW checksum. In addition, they use a new viewfinder mounting bracket (VMB-3), include anamorphic de-squeeze and high speed licenses, as well as a super silent fan. ALEXA XT cameras are the ALEXA XT, ALEXA XT Plus, ALEXA XT M and ALEXA XT Studio. The XR Module is on the left side of the camera. It has one slot for either an XR Capture Drive, the SxS Adapter for use with one SxS PRO or SxS PRO+ card or the CFast 2.0 Adapter for use with one CFast 2.0 card.

With the exception of the Open Gate sensor mode, ALEXA Classic cameras can be upgraded with the XR Module and other parts for most of the features of ALEXA XT.

5 Layout of the ALEXA

The following images show the ALEXA SXT EV:





6 Safety Guidelines

Any violation of these safety instructions or non-observance of personal care could cause serious injuries (including death) to users and affiliates and damage to the equipment or other objects.

6.1 Explanation of Warning Signs and Indications



Indicates a possible risk of injury or damage to the equipment



Indicates the risk of electric shock or fire danger that could result in injury or damage to the equipment.

NOTICE

Indicates further information or information from other instruction manuals

6.2 General Safety Guidelines



- Always follow these guidelines to ensure against injury to yourself or others and damage to the system or other objects.
- This safety information is in addition to the product specific operating instructions in general and must be strictly observed for safety reasons.
- Read and understand all safety and operating instructions before you operate or install the system!
- Retain all safety and operating instructions for future reference.
- Heed all warnings on the system and in the safety and operating instructions before you operate or install the system. Follow all installation and operating instructions.
- Do not use accessories or attachments that are not recommended by ARRI, as they may cause hazards and invalidate the warranty!
- Do not attempt to repair any part of the system! Repairs must only be carried out by authorized ARRI Service Centers.

6.3 Specific Safety Instructions



- Do not remove any safety measures from the system!
- Do not operate the system in areas with humidity above operating levels or expose it to water or moisture!
- Do not cover the fan openings at the camera back top and bottom!

- Do not subject the system to severe shocks!
- Do not place the system on an unstable trolley/hand truck, stand, tripod, bracket, table or any other unstable support device! The system may fall, causing serious personal injury and damage to the system or other objects.
- Operate the system using only the type of power source indicated in the manual! Unplug the power cable by gripping the power plug, not the cable!
- Never insert objects of any kind into any part of the system if not clearly qualified for the task in the manual, as objects may touch dangerous voltage points or short out parts! This could cause fire or electrical shock.
- Unplug the system from the power outlet before opening any part of the system or before making any changes to the system, especially the attaching or removing of cables!
- Do not use solvents to clean!
- Do not remove any stickers or paint marked screws!
- Always place a lens or a protective cap in the lens mount receptacle!
- Never run a camera with a mirror shutter without a lens or a protective cap in the lens mount receptacle!
- Changing camera lenses should be done in a dry and dust-free environment. If this is not possible, take extra care that no dust enters the camera while the lens is off!
- When no lens is attached to the camera, immediately place the protective on the lens mount to avoid contamination of the sensor cover glass!
- After changing lenses, always perform a dust check to make sure no dust has settled on the sensor cover glass!
- Clean optical lens surfaces only with a lens brush or a clean lens cloth. In cases of solid dirt or grease, moisten a lens cloth with pure alcohol. Discard contaminated lens cloth after use! Never attempt to clean a lens brush with your fingers!
- NEVER USE CANS WITH COMPRESSED AIR OR GAS TO BLOW OFF THE DUST! This can severely damage optical elements.
- If the sensor cover glass has been contaminated by solid dirt or grease, special optical cleaning kits should be used for dirt removal under very high care! If the contamination cannot be removed, the camera should be taken to an ARRI service center for cleaning.
- THE USE OF METHANOL TO CLEAN OPTICAL SURFACES IS NOT RECOMMENDED!
- NEVER USE ACETONE TO CLEAN OPTICAL SURFACES!
- NEVER TRY TO REMOVE THE SENSOR COVER GLASS!
- DO NOT POINT THE CAMERA INTO DIRECT SUNLIGHT, VERY BRIGHT LIGHT SOURCES, OR HIGH-ENERGY LIGHT SOURCES (e.g. laser beams)! This may cause permanent damage to the camera image sensor.
- DO NOT POINT THE VIEWFINDER INTO DIRECT SUNLIGHT, VERY BRIGHT LIGHT SOURCES, OR HIGH-ENERGY LIGHT SOURCES (e.g. laser beams)! This may cause permanent damage to the viewfinder display and optical elements.
- During extended operation, high data rates and/or operation at high ambient temperatures, the camera's surfaces and especially the area around the ventilation grille on top of the camera at the camera rear can get hot. Use caution and never cover, obstruct or block the fan inlets or outlets while the camera is powered.

7 General Precautions

7.1 Storage and Transport

- Use a lens port cap to prevent damage to the sensor cover glass and sensor whenever there is no lens attached.
- Unplug all cables when transporting the ALEXA in a camera case.
- Do not store the camera in places where it may be subject to temperature extremes, direct sunlight, high humidity, severe vibration, or strong magnetic fields.

7.2 Condensation



When moving the camera from a cool to a warm location or when the camera is used in a damp environment, condensation may form inside the lens port, on the sensor cover glass, between the sensor and the sensor cover glass, and on internal or external electrical connections.

Operating the camera while condensation is present may result in personal injury or damage to the equipment.

Condensation on the optical components may have a visible effect on the output images. To reduce the risk of condensation:

- Find a warmer storage location.
- Attach the ARRI air-drying cartridge (silica bottle) to the PL-Mount of the camera during storage
- Note: Do NOT leave the air-drying cartridge attached to the PL-Mount during transportation of the camera!
- If the camera needs to be stored in a place that is considerably cooler than the location where it will be used, consider keeping the camera powered from a mains unit in addition to using the air-drying cartridge.
- In ambient temperatures above 30°C/86°F and/or humidity above 60%, always attach the air-drying cartridge to the PL-Mount of the camera when not in use. This not only applies to storage, but also to shooting breaks and situations when the camera remains without an attached lens for an extended time.
- **MAKE SURE THE SILICA BOTTLE IS SECURELY FASTENED. UNDER NO CIRCUMSTANCES SPILL SILICA INTO THE LENS PORT!**

8 Power Supply



- Use only ARRI-recommended power supply solutions.
- Manipulation of power supplies could result in serious injury or death, or damage to the ALEXA.

The ALEXA accepts an input voltage range from 10.5 to 34 V DC. Do not supply power outside the specified voltage range. The camera can be powered through the BAT connector or battery adapters accepting V-Lock or Gold Mount batteries.

The power supply should deliver an output of more than 90 W to power the camera sufficiently. The power draw of the camera in basic configuration is about 85 W.

A 12 to 15 V battery should have at least 6 A maximum output current.

NOTICE

- When powering accessories through the camera, the total power draw of the camera is increased by the amount of power drawn by the accessories.
- Always keep the BAT connector or attached battery accessible so that they can be unplugged quickly in case of emergency.

8.1 Power Management

When using the BAT connector and one or more onboard battery adapters simultaneously, the camera's power management system ensures that the power source with the highest voltage level is used. When the voltage level of one power source drops below the level of the other, or a power source is disconnected from the camera, the power management system automatically switches to the other power source, avoiding shutdown of the camera.

For example, a 12 V onboard battery can be used as backup for the main 24 V battery. Using a 12 V onboard battery in addition to the main 24 V battery also allows for quick switchover to handheld mode—the power cable can simply be disconnected from the BAT connector.

When using two onboard battery adapters (with batteries in parallel—one on top and one on the back), the camera will treat them as a single source. When used this way, the load is spread across two batteries, creating a strong power source.

8.2 BAT Connector

The BAT connector is the primary power input on the ALEXA. It is a Fischer 2-pin socket located at the back of the camera on the camera-right side.

The socket accepts power cables KC-20S and KC-29S. The cables can either be connected to the mains unit NG 12/26R or to 24 V cine-style batteries with three-pin XLR outputs. Do not use cables longer than 4m.



Fig. 1: BAT connector

8.3 Mains Unit NG 12/26 R

Use of the mains unit is recommended for shooting in the studio and when using electronic accessories with high power consumption.

To power the ALEXA using the Mains Unit NG 12/26 R:

1. Set the correct mains voltage on the mains unit using the fuse on the back of the unit. For example, set it to 220 V if the AC mains power source is 220 V.
2. Connect the mains unit to AC mains power.
3. Ensure that the camera power is turned off.
4. Set the voltage switch on the mains unit to 26 V.
5. Connect the battery cable KC-20S or KC-29S (spiral cable) to the power supply socket on the camera and the 26 V socket on the mains unit.

NOTICE

The NG 12/24 R was the original design that provided 12 & 24 volts output – it was superseded by the NG 12/26 R, which outputs 12 & 26 volts. The NG 12/24 R can easily be upgraded to NG 12/26 R specification at an ARRI service center.

8.4 Cine-Style Batteries

Any 24 V cine-style battery with a three-pin XLR output can be used to power the camera through a KC-20S or a KC-29S battery cable.

To connect the battery to the camera:

1. Ensure that the main switch on the camera is off.
2. Connect the battery cable KC-20S or KC-29S (spiral cable) to the power supply socket on the camera and the 28V output on the battery.

NOTICE

When the battery voltage drops below the warning level, the *BAT1* level in the camera display will start flashing. A white *i* will appear, signaling more information is available on the *INFO* screen. For more information on setting the low battery warning level, see *Menu>System>Power* (on page 110).

8.5 Onboard Batteries

The camera can be equipped with adapters for either V-Lock or Gold Mount video-style batteries. When a battery equipped with the TI-protocol for battery communication is used, the ALEXA will display remaining capacity as a percentage on the HOME screen. For these batteries, the user does not need to set the battery warning level.

Four different adapters are available:

- BAB-G: Battery Adapter Back for Gold Mount batteries
- BAB-V: Battery Adapter Back for V-Lock batteries
- BAT-G: Battery Adapter Top for Gold Mount batteries
- BAT-V: Battery Adapter Top for V-Lock batteries

NOTICE

Adapters must be installed by a trained technician!

8.5.1 V-Lock Batteries

V-Lock batteries from different manufacturers may be used on the ALEXA. When batteries from manufacturers such as ID-X and bebop are used, their remaining capacity will be displayed as a percentage on the HOME screen.

To attach a V-Lock battery:

1. Align the v-shaped wedge on the battery with the v-shaped notch on the battery plate.
2. Press the battery downwards until you hear a click.
3. Check that the battery is securely mounted on the battery plate.

To release a V-Lock battery:

1. Press the release button on the camera-left side or top of the battery (manufacturer dependent).
2. While pressing the release button, slide the battery upwards.



Fig. 2: ALEXA with BAB-V and V-Mount battery

NOTICE

Not all V-Lock batteries deliver enough power to supply the camera. Use only batteries with a capacity of 90 Wh or more to prevent damage to the battery and unpredictable camera behavior. Any camera-battery combination should be tested prior to use, especially when accessories are powered through the camera.

8.5.2 Gold Mount Batteries

If the ALEXA is equipped with a Gold Mount, Anton/Bauer batteries can be used. Their remaining capacity will be displayed as a percentage on the HOME screen.

To attach a Gold Mount battery:

1. Align the three pins on the back of the battery to the three corresponding holes on the battery plate.
2. Press the battery to camera-right until you hear a click.
3. Check that the battery is securely mounted on the battery plate.

To release a Gold Mount battery:

1. Press the release button on the camera-left side of the battery plate.
2. While pressing the release button, slide the battery camera-left, and pull it straight out.



Fig. 3: ALEXA with BAB-G and a Gold Mount battery

NOTICE

Not all Gold Mount batteries deliver enough power to supply the camera. Use only batteries with a capacity of 90 Wh or more to prevent damage to the battery and unpredictable camera behavior. Any camera-battery combination should be tested prior to use, especially when accessories are powered through the camera.

8.6 Power Outputs

The ALEXA SXT EV has two 24 V power outputs and one 12 V power output for accessories. ALEXA SXT Plus, ALEXA SXT Studio and ALEXA SXT W models have three 24 V power outputs and one 12V power output.



Fig. 4: 24 V outputs (RS) and 12 V output

8.6.1 Powering 12 V Accessories

One 12 V output with a 2-pin LEMO connector is located on the right side of the camera. It is limited to 12 V and can supply a device with a current of up to 2.2 A, depending on the camera power supply.

8.6.2 Powering 24 V Accessories

Two 24 V remote start/stop (RS) outputs with 3-pin Fischer connectors are located on the right side of the camera. They can supply two devices with a combined load of up to 2.2 A (shared with the EXT connector power out), depending on the camera power supply. When the camera is powered from a source with a voltage below 24 V, they output 24 V. If the camera's power source supplies more than 24 V, this voltage level is also present on the RS outputs.

Besides powering accessories, the RS outputs can also be used to send a remote start/stop signal to the camera.

9 Camera Support

9.1 Minimum Equipment Recommended For Operation

- ALEXA SXT EV camera body and Lens Adapter PL mount
- Electronic Viewfinder EVF-1
- Viewfinder Mounting Bracket
- KC 150-S Viewfinder Cable short 0.35m/1.2ft
- CCH-1 Center Camera Handle
- BP-12 Bridge Plate with base plate, or BPA-1 with BP-5/BP-8 Bridge Plate and base plate, or WA-1 Wedge Adapter and Quick Release HD Baseplate
- SD card
- Compatible power supply
- Suitable media for recording

9.2 Tripod and Remote Heads

Tripod and remote heads must have adequate load ratings to support the ALEXA and attached accessories. See the dimensional drawings and weights for your camera model in the Appendix of the manual.

NOTICE

Always check the payload limits of a remote head and crane before mounting a camera.

In applications where the camera mount is subject to high forces (e.g. car or helicopter mounts) the camera must be additionally secured with appropriate safety restraints. All mount screws must be tightened firmly with an appropriate screwdriver (not with the commonly used coin!).

9.3 Electronic Viewfinder EVF-1



The electronic viewfinder EVF-1 employs a liquid crystal on silicon (LCOS) imaging device with a temperature-stabilized LED light source to provide a bright, accurate view of the sensor image in all operating conditions. Each EVF-1 is calibrated to precisely match the image on the ALEXA's HD outputs.

The EVF-1 has a resolution of 1280x720 pixels, with 32 additional lines of resolution above and 32 below the image to display camera status information. The EVF-1 can also display a 10% surround view area of the sensor to help the operator track unwanted elements before they enter the recorded image area. Focus can be checked by temporarily zooming into the image with a magnification factor of 2.25x. The low-latency interface of the EVF-1 has a delay of less than 1 frame.

The EVF-1 has button controls for false color check and zoom, as well as buttons and a jogwheel to control EVF and camera settings.

Connect the viewfinder to the camera using the viewfinder mounting bracket.



NOTICE

Do not point the viewfinder into direct sunlight, very bright light sources, or high-energy light sources (e. g. laser beams)! This may cause permanent damage to the viewfinder display and optical elements. If possible, cover the eyepiece when not in use to prevent any damage.

9.3.1 Viewfinder Cables

The viewfinder cables are unidirectional with a male plug to connect to the camera and a female plug to connect to the viewfinder.

Cables are available in the following lengths:

Model	Length (m / ft)	Suggested use
KC-150-S	0.35 / 1.2	For use of EVF-1 on camera left side in hand-held mode
KC-151-S	0.65 / 2.1	For use of EVF-1 on camera right side or when using Viewfinder Extension Bracket VEB-1 or VEB-3
KC-152-S	2.00 / 6.6	Longest possible length for use with specialty rigs



Fig. 5: EVF cables: KC-150S (center), KC-151S (middle), KC-152S (outer)

9.3.2 Viewfinder Mounting Bracket

The Viewfinder Mounting Bracket VMB-3 is attached to the camera using two captive 3mm hex socket head screws on top of the camera at the front. The VMB-3 features a leveling bubble and two internally threaded 15mm rods with standard 60mm distance. These can be exchanged for or extended with standard 15mm rods for mounting matte boxes, lens motors and the like above the lens if need be.

Attach the EVF-1 to the Viewfinder Mounting Bracket by sliding the dove tail into the receptacle and closing the lever on the EVF-1.

The position of the EVF-1 can be adjusted by loosening the levers on the Viewfinder Mounting Bracket, adjusting the position as desired and closing the levers to retighten.

The EVF-1 can be mounted on the camera-right side by unscrewing the threaded end cap on the side-to-side adjustment rod, removing the rod itself and inserting it from the other side. Remember to reattach the threaded end cap.

NOTICE

Camera-right operation is not possible with the standard EVF cable KC-150-S. Instead, the longer cable KC-151-S is needed.



The Viewfinder Extension Bracket VEB-3 extends the mounting point of the EVF-1 further back. It can be attached to a tripod head for use with geared heads or greater comfort when using fluid heads using its standard attachment point for the ARRI Eyepiece Leveler EL-3. The VEB-3 has been improved over the VEB-1 in the following aspects:

- The redesigned shape provides greater sturdiness at a lighter weight.
- The blue security pin at the VMB-3 connecting end prevents the VEB-3 from accidentally dropping out when it is released.
- The connection part to the Eyepiece Leveler EL-3 is spring loaded so that it automatically moves away from the camera body when it is not in use.
- The VEB-3 features a fold-out arm that can be used to rest the VEB-3 on the camera body when moving the camera.

To avoid damage to the VMB-3 when using the VEB-3 with an eyepiece leveler, loosen the friction on VMB-3's rotating assembly.



Fig. 6: VEB-3 with closed fold-out arm



Fig. 7: VEB-3 with opened fold-out arm



9.4 Center Camera Handle CCH-1

The Center Camera Handle CCH-1 is attached to the camera top with three captive 3mm hex socket head screws (two at the front and one at the back). Ensure that the CCH-1 is securely fastened before attempting to lift the camera.



The Handle Extension Block HEB-2 mounts to the front end of the CCH-1 and adds one more focus hook to the camera in a high position, allowing the tape measure to clear the matte box.



9.5 Side Camera Handle SCH-1

The Side Camera Handle SCH-1 is used in conjunction with a BAT-V or BAT-G top-mounting battery adapter, or with third-party onboard recorders. It is attached to the camera using three captive 3mm hex socket head screws (two at the front and one at the back). Ensure that the SCH-1 is securely fastened before attempting to lift the camera.

If a tall battery or a tall third-party onboard recorder is used, the adjustable center grip of the SCH-1 can be replaced by the taller Adjustable Center Grip Tall (ACG-2).



Fig. 8: SCH-1

9.6 Bridge Plates BP-12/BP-13

The bridge plate BP-12 for 19 mm studio rods has been specifically developed for ALEXA. It mounts directly to the camera body using two 3/8"/16 screws and ensures that support rods, matte boxes and follow focus units are positioned properly in regards to the optical center of the camera, just like all other ARRI cameras.



The bridge plate BP-13 is equivalent to the BP-12, but for 15 mm studio rods.

NOTICE

Make sure bridge plates are tightened firmly with a wide bladed screwdriver, not the commonly used coin!

9.7 Bridge Plate adapter BPA-1

The bridge plate adapter BPA-1 can be used to attach a BP-3/BP-5/BP-8/BP-9 to ALEXA. First attach the BPA-1 to the camera with the two screws. Then attach the bridge plate to the adaptor with its two screws. Make sure the screws are tightened firmly with a screwdriver.



9.8 Wedge Adapter WA-1 and Quick-Release Plate QR-HD-1

The WA-1 can be mounted at the same position as a bridge plate. It has a dove tail that slides into the counter part of a quick-release plate, like the ARRI QR-HD-1. The quick-release plate has a pin at its back, which fits into the pin receptacle at the back of the camera base.



Fig. 9: ARRI QR-HD-1

9.9 Levelling Block LB-1

The Leveling Block LB-1 attaches to the bottom of the ALEXA in the pin receptacle on the back foot. It prevents the camera from resting on a rear-mounted battery when a bridge plate is attached and the camera is placed on a flat surface.

Attach the LB-1 by inserting its pin into the pin receptacle at the end of the shoulder arc in the camera base. Twist the knob clockwise to tighten.



Fig. 10: Leveling Block LB-1

9.10 Shoulder Pad SP-3

The camera base has an integrated arch to fit to the operator's shoulder. For extended handheld shots, the shoulder pad SP-3 can be attached to the base of the camera with velcro.

NOTICE

The SP-3 can only be used with a BP-12 and 19 mm rods or with 15 mm rods and a Wedge Adapter WA-1 and a Quick-Release Plate QR-HD-1. When using the BPA-1 with a BP-5/BP-8, the bridge plate has to be removed prior to attaching the SP-3.



Fig. 11: SP-3 shoulder pad



Fig. 12: SP-3 below camera

10 Connectors

Camera back



From top to bottom: MON OUT 1A, RET/SYNC IN, EXT, MON OUT 2, MON OUT 3, BAT, ETHERNET

Camera right



Fig. 13: Connectors on right side

From left to right, top to bottom: 2x RS (24 V) out, AUDIO OUT, TC, 12V out, AUDIO IN, SD CARD (camera bottom)

Camera left



Camera front



Fig. 14: Camera front

EVF connector

10.1 BAT

The BAT connector can be used to power the camera from an external power source with cables KC-20S and KC-29S.

It is located at the back of the camera on the camera-right side.

10.2 RET SYNC IN

A return signal from another image source can be fed into the ALEXA's RET connector for displaying on EVF and/or MON OUT. The signal must be a 1920x1080 422 1.5G single link according to SMPTE 274M and 292M. The output routing of the RET in signal can be set in the Monitoring menu. The SYNC IN function has not been implemented.

The connector is located at the back of the camera on the camera-right side.

10.3 MON OUT 1/2/3

The MON OUT connectors are BNC connectors capable of carrying a 1920x1080 422 YCbCr 1.5G HD-SDI signal with frame rates of 23.976, 24, 25, 29.97 or 30 fps according to SMPTE standards 274M and 292M. The signal format can be changed in the Monitoring menu.

The connectors are located at the back of the camera on the camera-right side.

10.4 EXT

The EXT connector is a multi-pin accessory connector that carries signals for communication with various accessories and 24V power. The maximum power output is 2.2A, shared with the RS outputs.

Cables are currently available for:

- Connecting a UMC-3 remote motor controller (model UMC Connection Cable (0.80m/2.6ft) K-UMC3-ALEXA)
- Connecting two ALEXA cameras for synchronized operation (model EXT to EXT Cable (2.00m/6.6ft) KC 155-S)

The connector is located at the back of the camera on the camera-right side.

10.5 ETHERNET

Standard Ethernet connectors cannot deliver the durability and reliability required by ARRI, so the ALEXA uses a specially designed 10-pin LEMO connector. The ARRI KC-153-S cable is required to connect the Ethernet socket to a standard RJ-45 Ethernet port.

The Ethernet port can be used to operate two ALEXA cameras with synced settings by connecting the cameras with a KC 156-S cable, or to connect the Remote Control Unit RCU-4 to the camera.

The Ethernet connector can output 24 V with 1.2 A power.

The connector is located at the back of the camera on the camera-right side.

10.6 EVF

The EVF connector connects the camera to an EVF-1 electronic viewfinder. The signals on this connector are proprietary and can only be used to drive an EVF-1. This proprietary signal assures low latency for the viewfinder image.

The connector is located at the front of the camera on the camera-left side.

10.7 AUDIO IN

2-channel analog line-level audio can be fed to the camera via the 5-pin XLR connector located at the front of the camera on the camera-right side.

The ALEXA converts the audio signal from analog to 24 bit 48 kHz PCM.

10.8 RS

The two RS connectors supply external accessories with at least 24 V power and a combined load of up to 2.2 A (shared with the EXT connector power out). The sockets also accept an ARRI remote start/stop trigger.

The connectors are located at the front of the camera on the camera-right side.

10.9 12 V

The 12 V connector supplies an external accessory with 12 V power and up to 2.2 A current.

The connector is located at front of the camera on the camera-right side.

10.10 TC

The TC connector is a 5pin LEMO socket. It accepts and distributes a Longitudinal Time Code (LTC) signal.

It can be used to

- jam-sync the ALEXA's time code to a Clockit, TC Slate or another camera
- transmit the ALEXA's time code to a Clockit, TC Slate or another camera
- tune the frequency of the ALEXA's crystal oscillator with an Ambient ACC Clockit Controller

The connector is located at the front of the camera on the camera-right side.

Note that during playback, the timecode that is output via the TC connector does not match the timecode of the played clip.

10.11 AUDIO OUT

The AUDIO OUT is a 3.5mm TRS connector (headphone jack), which outputs audio fed to the 5-pin XLR AUDIO IN connector with a maximum power of 2.5 dBm.

The connector is located at the front of the camera on the camera-right side.

NOTICE

Connecting headphones to the camera while recording can cause a short audio signal interruption due to static electricity.

10.12 SD Card

The ALEXA saves data such as user setups, frame grabs and system logs to an SD card. Firmware, additional frame lines and ARRI Look File 2 files are loaded onto the camera from the SD card. The SD card slot is located on the bottom of the camera on the camera-right side. To access the SD card slot, slide the door towards the front of the camera.

SD Card Requirements

- SD or SDHC card (most brands are compatible)
- maximum capacity of 4GB
- FAT or FAT32 format

NOTICE

- Keep the SD card slot door closed to prevent dirt and moisture from entering the camera.
- After booting the camera or inserting an SD card, it might take some seconds until the SD card is recognized and usable.

The SD card can be formatted on the ALEXA or the following folder structure can be created manually on a computer. The SD card must be properly formatted prior to its first use.

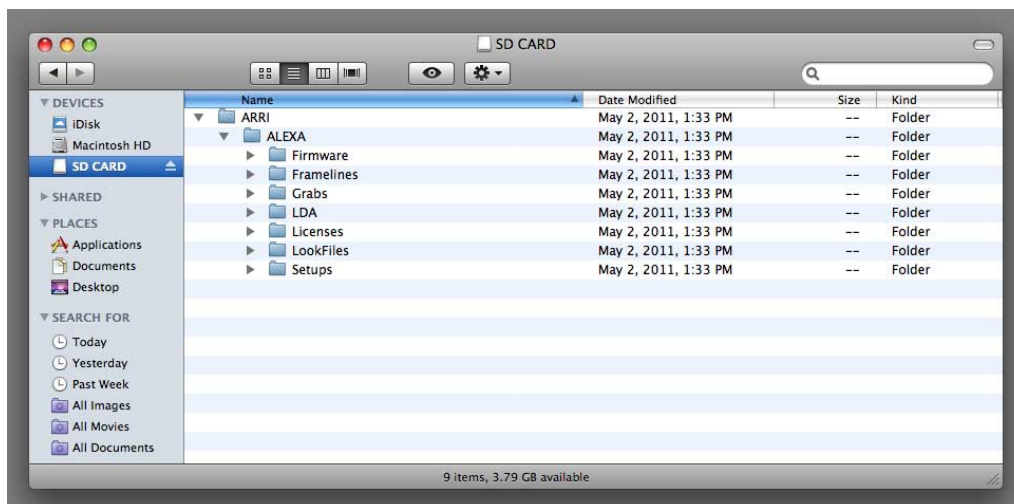


Fig. 15: Folder structure required for SD card

To format an SD card on the ALEXA:

1. Press the *MENU* button.
2. Using the jogwheel, select System.
3. Select SD Card.
4. Select Format + prepare SD card.
5. Press both *FORMAT* buttons simultaneously. The ALEXA will create the required folder structure on the SD card after formatting.

NOTICE

Formatting the SD card will irreversibly remove all data on the SD card.

To create the required folder structure on the SD card in the ALEXA without formatting:

1. Press the *MENU* button.
2. Using the jogwheel, select System.
3. Select SD Card.
4. Select Prepare SD card. The ALEXA will create the required folder structure on the SD card without formatting or deleting any data.

NOTICE

Firmware update files are recognized by the camera anywhere within the structure, but it is recommended to copy them into the Firmware folder.

10.13 Recording Module



The ALEXA records clips using the recording module on the camera-left side. For every recording medium type, the respective adapter needs to be inserted before a medium can be inserted. The media slot can take SXR Capture Drives with the SXR Capture Drive Adapter, XR Capture Drives with the XR Capture Drive Adapter, **SxS PRO** and **SxS PRO+** cards with the **SxS Adapter 2**, or CFast 2.0 cards with the CFast 2.0 Adapter 2.

When the ALEXA is in ProRes mode, it can record onto SXR/XR Capture Drives, **SxS PRO** cards, **SxS PRO+** cards, or CFast 2.0 cards. They do not need to be loaded or unloaded, but can be used directly after insertion and can be safely removed whenever they are in standby.

When the ALEXA is in ARRIRAW mode, it can only record onto SXR/XR Capture Drives, which need to be loaded after insertion and unloaded prior to removal. Refer to the respective sections below for more information.

The ALEXA supports recording to the following media:

- **SxS PRO+** cards 256 GB (SBP-256D, SBP-256E)
- **SxS PRO+** cards 128 GB (SBP-128B, SBP-128C, SBP-128D, SBP-128E)
- **SxS PRO+** cards 64 GB (SBP-64B, SBP-64C)
- **SxS PRO** cards 64 GB (SBP-64A)
- LEXAR 3600x CFast 2.0 cards 256 GB
- SXR Capture Drives in 1 TB or 2 TB
- XR Capture Drives 512 GB

To access the media slot, slide the OPEN slider towards camera back so that the spring-loaded door jumps open.

Putting the lock slider in the (lower) lock position prevents accidental opening of the door. Ensure that the lock slider is in the (upper) unlocked position before attempting to open the door.

NOTICE

- Keep the door closed to prevent dirt and moisture from entering the camera.
- Only Sony **SxS PRO** and **SxS PRO+** cards can be used with ALEXA. Sony SxS-1 cards are not supported.
- For the remainder of this manual, whenever **SxS PRO** is mentioned, this applies to **SxS PRO+** likewise.
- SXR Capture Drives are specified for a temperature range from 0° Celsius to 70° Celsius (32° Fahrenheit to 158° Fahrenheit). When working in environments with ambient temperatures below 0° Celsius, ensure that SXR Capture Drives have a temperature of at least 0° Celsius when starting a recording to ensure proper operation.
- While we do everything we can to assure reliable functioning of different recording medias such as SXR Capture Drives, and while the mean time before failure (mtbf) for drives is excellent, a failure that results in loss of data may occur at any time. Therefore, you are obliged to implement and maintain at any time adequate and necessary data security measures and back up drive content as soon as possible. ARRI assumes or accepts no liability or responsibility for data loss or data corruption, or any other damages, loss or harm due to malfunction of recording drives.

Inserting media:

To insert an adapter:

1. Insert the adapter into the media slot with the contacts facing the front of the camera and the metal housing facing out (away from the camera body).
2. Push the adapter towards camera front until the two securing plastic lids lock the adapter.

To load an SXR/XR Capture Drive:

1. Insert the SXR/XR Capture Drive into the media slot with the contacts facing the front of the camera and the ribbed side facing out (away from the camera body).
2. Push the SXR/XR Capture Drive towards camera front until the lock engages.
3. Close the door.

When the camera is in ARRIRAW mode, it automatically loads the SXR/XR Capture Drive when the door has been closed, see "Explanation of LED States" below. If closing the door is not possible, e. g. because it has been damaged, loading an SXR/XR Capture Drive can also be triggered by pressing and holding the eject button for about five seconds.

Loading an SXR/XR Capture Drive in ARRIRAW mode normally only takes a few seconds. In certain situations, however, it may take up to 30 seconds, especially when an SXR/XR Capture Drive has been removed previously without unloading it properly.

NOTICE

Do not put any labels or adhesive tape on the back of an SXR/XR Capture Drive (the side facing the camera body). The SXR/XR Capture Drive must have full contact to the camera body to ensure proper heat conduction.

To load an **SxS PRO** card or CFast 2.0 card:

1. Insert the card into the adapter with the contacts facing the front of the camera and the label facing out (away from the camera body).
2. Push the card in against the spring until the lock engages.
3. Close the door.

NOTICE

- Do not force any media into the slot or into the adapter in wrong orientation—the contacts could be damaged.
- Do not force the door closed if the media is not fully inserted.

Removing media:

When the camera is in ProRes recording mode, **SxS PRO** cards, CFast 2.0 cards and SXR/XR Capture Drives do not have to be mounted or unmounted—they can be inserted or removed whenever the camera is in STBY mode. If media is removed during recording, only the last second of the current clip will be lost. All clips on the media will remain accessible.

When the camera is in ARRIRAW recording mode, SXR/XR Capture Drives need to be unloaded before they can be safely removed. Unloading is triggered automatically when the door is opened and the SXR/XR Capture Drive is in standby. When the door is already open, but the SXR/XR Capture Drive is still loaded, press the eject button on the SXR/XR Capture Drive to trigger unloading. See "Explanation of LED States" below for information about how the camera signals loading state. If media is removed during recording, only the last five seconds of the current clip will be lost. All clips on the media will remain accessible.

NOTICE

- If the recording process is interrupted by power loss or media removal, transfer all the data from the media and format it before using it again.
- If the door is opened while an ARRIRAW recording is running, the recording is stopped and the medium is unloaded.

Before removing any media, open the door by sliding the OPEN slider towards camera back. Ensure the lock slider is in the (upper) unlocked position, otherwise the OPEN slider will be blocked.

To remove an SXR/XR Capture Drive:

- ▶ Carefully pull the SXR/XR Capture Drive towards camera back, taking care not to drop it accidentally.

To remove an **SxS PRO** card or CFast 2.0 card:

- ▶ Push the card inwards (towards camera front) until the lock disengages, then pull the card out backwards, taking care to prevent the card from dropping out of the adapter.

To remove an adapter:

- ▶ Carefully lift the two securing plastic lids that secure the adapter and pull it towards camera back, taking care not to drop it accidentally.

⚠ CAUTION!

It is possible that SXR/XR Capture Drives will get hot to the touch during extended operation and can cause pain or even burns if held for too long. It is advisable to handle the drive for no more than three seconds, and to remove the drive quickly and carefully. Allow it to cool before further handling and consider wearing protective gloves.

Explanation of LED States

SXR/XR Capture Drives, **SxS** Adapter 2 and CFast 2.0 Adapter 2 have an LED that signals the media's state to the user.

LED state	Card state
Off	<ul style="list-style-type: none"> • No media present • Media is unreadable (e.g. wrong file system) • Media is inactive
Solid green	Media is in standby and ready
Solid red	Media is being accessed (read/write) <i>DO NOT REMOVE MEDIA!</i>
Red flashing	Media error, see camera for details
Blue flashing (SXR/XR Capture Drive only)	SXR/XR Capture Drive is being loaded or unloaded
Solid blue (SXR/XR Capture Drive only)	SXR/XR Capture Drive is unloaded and can be ejected safely

11 Lens Mounting

The ALEXA is equipped with an interchangeable lens mount.

NOTICE

Lenses must cover an image circle of at least 27.3 mm for 16:9 sensor mode, 29.7 mm for 4:3 sensor mode and 33.5 mm for Open Gate sensor mode to prevent vignetting.

11.1 Lens Adapter PL-Mount LA-PL-2

The ALEXA lens mount supports the ARRI Lens Data System. An LDS lens must be mounted in the 12 o'clock or 3 o'clock position to enable the LDS functions. Take care not to damage the LDS contacts on the lens and the camera when mounting or unmounting a lens or lens port cover.

The LA-PL-2 also offers basic Cooke /i support for direct lens metadata capture through the LDS contacts. The cameras can store a subset of lens data (focus distance and lens iris settings) as dynamic camera metadata. Running the camera outside the standard speeds of 23.976 to 30 fps may produce an offset of several frames. Certain lens settings will produce an offset lens data readout (e. g. iris open). This can be corrected manually, after the metadata had been extracted (ARRI Meta Extract).

The basic /i compatibility has been tested and approved by Cooke Optics Limited. For support and questions about /i Technology, please contact Cooke Optics directly.

To mount a PL-mount lens:

1. Turn the bayonet ring anti-clockwise until it stops.
2. Remove the lens port cap.
3. Carefully insert the lens into the lens port. Align the notch in the lens flange with the index pin on the mount, keeping the lens rotated into a position where the lens markings are visible from either side of the camera.
4. Press the lens flange flat onto the lens mount.
5. Turn the bayonet ring clockwise until the lens is locked securely.
6. Ensure that the lens is properly mounted.

NOTICE

- When no lens is attached to the camera, use the lens port cap to prevent dust from entering the lens cavity.
- The sophisticated design principle of the camera's optical module delivers outstanding images with a cinematic look and feel, but also makes the imager sensitive to contamination. Dust particles that have settled on the sensor cover glass during a lens change may become visible as dark spots in the output image, similar to lint leaving marks on exposed film. The degree of this effect depends on the aperture of the lens.

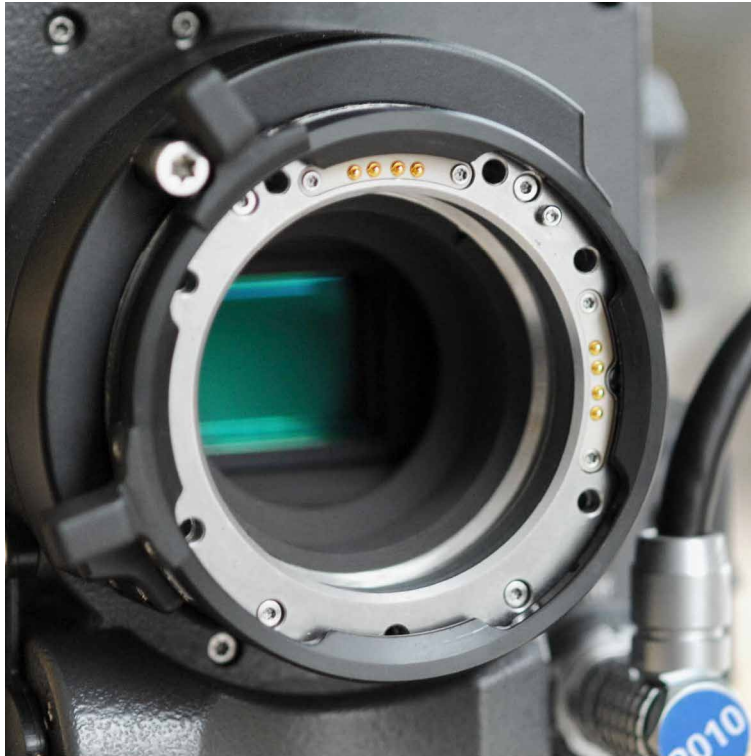


Fig. 16: Lens adapter PL-Mount LA-PL-2 (with LDS)

11.2 Lens Support

Heavy lenses may require additional lens support. Using a lens support guarantees that the weight of the lens will not influence the flange focal depth and reduces stress on the lens mount.

To support a lens use 15mm studio or 19mm studio rods and an appropriate lens bridge. 15mm studio rods require a bridge-plate with 15mm studio rod support, such as a BP-3/BP-9 + BPA-1, while 19mm studio rods require a bridge-plate with 19mm studio rod support, such as a BP-12 or BP-5/BP-8 + BPA-1.

Mount the lens bridge LS-10 for 15 mm studio rods by pushing it onto the rods from the front. Mount the lens bridge LS-9 for 19 mm studio rods by clipping it on the rods from the top.

Slide the bridge into position on the rods directly under the lens support ring on the lens, and fix it in place by tightening the lever on its side. Align and tighten the center screw in the lens support ring, adjusting the height of the center screw with the lever on the back of the lens bridge.



12 In-Camera Filter Module IFM-1

The In-Camera Filter Module IFM-1 is standard to all ALEXA SXT models (except ALEXA SXT Studio), which replaces the conventional reflex tube that is located inside the PL lens mount tube with the IFM filter holder and allows the use of ARRI Full Spectrum Neutral Density (FSND) filters (available separately).

By using internal filters you can rate the camera at the base sensitivity of EI 800 without the need for external filters, even in bright light conditions. In-camera filters for IFM-1 can be used with a large variety of lens sizes and are much lighter than external ND filters.

⚠ CAUTION!

DO NOT POINT THE CAMERA INTO DIRECT SUNLIGHT, VERY BRIGHT LIGHT SOURCES, OR HIGH-ENERGY LIGHT SOURCES (e.g. laser beams)! This may cause permanent damage to the internal filter or the camera.

NOTICE

Internal filtration requires additional shimming and does not work with ALEXA SXT Studio. For PL mount lenses, the IFM-1 filters work only with a lens mounting depth of 31.50 mm maximum.

Benefits of in-camera filtration

Filtering behind the lens rather than in front reduces weight, reflections and operational complexity. The filters' in-camera position significantly reduces the camera's total and front weight (because internal filters are smaller and lighter than external ones).

Also, internal filters are far less exposed to damage than external ones and, since lenses are changed more frequently than ND filters, the FSND filters provide extra protection for the sensor.

The Full Spectrum Neutral Density (FSND) filters for IFM-1 are based on new technologies that assure highest image quality. An absorptive full spectrum ND coating attenuates the light while maintaining a perfectly neutral color balance at all densities.

A base of water-white optical glass, precision-polished to create perfectly parallel surfaces, guarantees a clear and sharp image.

Additional broadband anti-reflective multi-coating reduces internal reflections and ensures a high image contrast. FSND filters for IFM-1 are available in eight densities from ND 0.3 to ND 2.4 and can be purchased separately or in sets.

All benefits at a glance:

- Internal filtration reduces reflections, weight, hassle – and filter damage
- New high-tech filters based on white-water optical glass
- Internal filtration protects sensor
- Available in 8 densities from ND 0.3 to ND 2.4
- Neutral color balance at all densities through absorptive full spectrum ND coating
- High image sharpness through precision polishing
- High contrast through anti-reflective multi-coating
- IFM-1 filter holder is standard to all ALEXA SXT models (except ALEXA SXT Studio)

12.1 Safety instructions for in-camera filtration

Proper shimming is crucial for the safe use of in-camera filters. Only correct shimming ensures the proper flange focal depth.

12.1.1 Maximum lens mounting depth

Only cameras with the original IFM-1 Shim allow for 31.50 mm maximum lens mounting depth of PL mount lenses, when using in-camera filters.

To avoid damage or injury when using PL mount lenses, use only lenses that do not exceed the following dimensions:

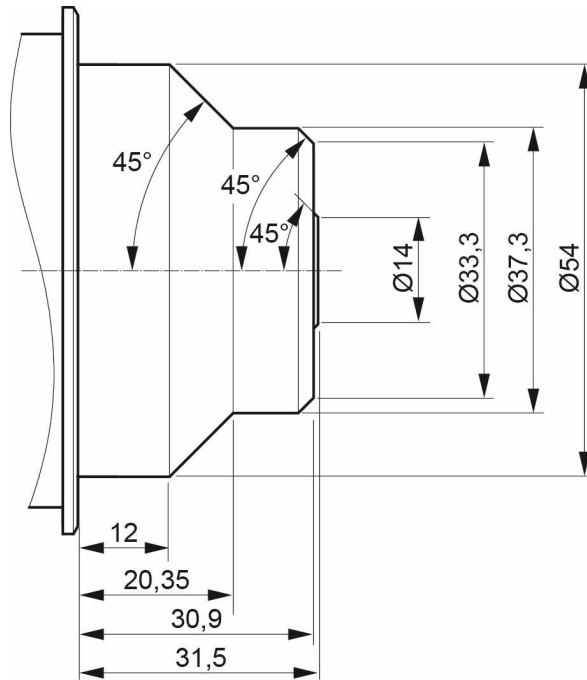


Fig. 17: Allowed lens dimensions with in-camera filters

NOTICE

The original ARRI IFM/Extenders Depth Gauge (K2.72144.0) will help you stay within allowed lens dimensions. Please ask your local ARRI Service Partner.

For a safe and correct use of internal filters, always shim your camera properly.

- Observe all precautions and use only proper tools, lenses and materials
- For PL mount lenses, use only lenses with 31.50 mm maximum mounting depth

⚠ CAUTION!

Risk of damage and injury from improper lenses!

PL mount lenses with more than 31.50 mm mounting depth, might damage internal filters and the camera. Shards from broken filter glass might cause injury.

Always check the lens mounting depth before mounting or changing a lens.

⚠ CAUTION!

Risk of damage and injury from insufficient shimming!

All internal filters require a properly shimmed lens mount. Otherwise, even PL mount lenses with a nominal mounting depth of less than 31.50 mm might damage internal filters and the camera. Shards from broken filter glass might cause injury.

To ensure maximum allowable lens mounting depth, and to avoid damage or injury, always shim your camera correctly (see page 55).

The proper IFM-1 Shim comes with all three FSND Filter Sets (Basic, Full or Completion) and is also available individually. Use only this original shim when filtering with IFM-1.

⚠ CAUTION!

Risk of damage from improper tools, materials or negligence!

In-camera filters are very delicate. Always handle them very carefully and with proper tools (e.g. the original Ground Glass/Frameglow tool). Never touch the filter glass with bare fingers (sweat and physical contact might damage the sensitive coating).

Check and clean each filter before and after use. Store it properly. Use only original ARRI cleansing utensils and materials (others might damage the filter).

12.1.2 Basic precautions

When using IFM-1 and internal filters:

1. Ensure a clean, dust-and-moisture-free environment.
2. Wear fresh rubber gloves to avoid fingerprints and smear.
3. Place the camera on a flat, level and safe surface.
4. Never touch the sensor.
5. Work very carefully due to the delicate nature of tools/components.
6. Safely store all tools/components afterwards.
7. Shim you camera exactly to required flange focal depth.
8. Check each lens mounting depth and flange shape.
9. Use only lenses within allowed dimensions.

12.1.3 Required shimming and maximum lens mounting depth

Only proper shimming will ensure the maximum allowable lens mounting depth (see page 51):

- For safe use of in-camera filters, always prepare your camera with the original IFM-1 Shim.
- See "Shimming the lens mount", page 55.

12.2 Available FSND Filter Sets

Three different FSND sets are available:

- FSND Filter Set (Basic): Basic set of filters and tools
- FSND Filter Set (Completion): Complementary set of filters
- FSND Filter Set (Full): Complete set of filters and tools

12.2.1 FSND Filter Set (Basic)

The FSND Filter Set (Basic) contains all components and filters essential for in-camera ND filtering:

- Storage Case
- IFM Optical Clear (1) ND 0.0
- Ground Glass/Frameglow tool (2)
- IFM Shim (3)
- IFM/Extenders Depth Gauge (4)
- Microfiber Cloth (5)
- Eight 0.1 mm washers (also available separately as K4.0000762)
- Three Internal Filters (6) FSND 0.6, 1.2, 1.8
- Cleaning Instructions

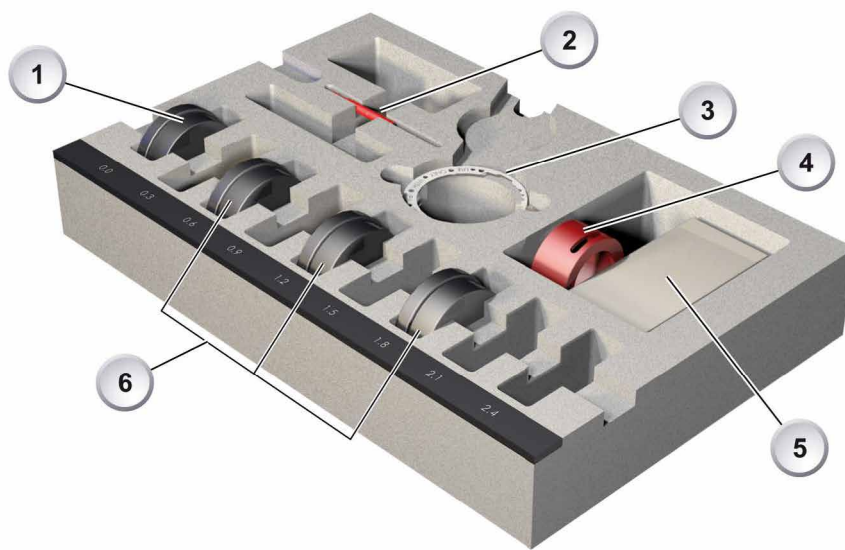


Fig. 18: The FSND Filter Set (Basic)

12.2.2 FSND Filter Set (Completion)

The FSND Filter Set (Completion) is a useful completion. It offers:

- 5 Internal Filters FSND 0.3, 0.9, 1.5, 2.1, 2.4



Fig. 19: Each filter of the FSND Filter Set (Completion) comes in a practical individual box and is also available separately

To insert or change a filter:

See "Mounting in-camera filters", page 61. Each filter is also available separately or in bundles.

12.2.3 FSND Filter Set (Full)

The FSND Filter Set (Full) is a set with all FSND filters and required tools. It consists of:

- Storage Case
- IFM Optical Clear (1) ND 0.0
- Ground Glass/Frameglow tool (2)
- IFM Shim (3)
- IFM/Extenders Depth Gauge (4)
- Microfiber Cloth (5)
- Eight 0.1 mm washers (also available separately as K4.0000762)
- Eight Internal Filters (6) FSND 0.3, 0.6, 0.9 1.2, 1.5, 1.8, 2.1, 2.4
- Cleaning Instructions

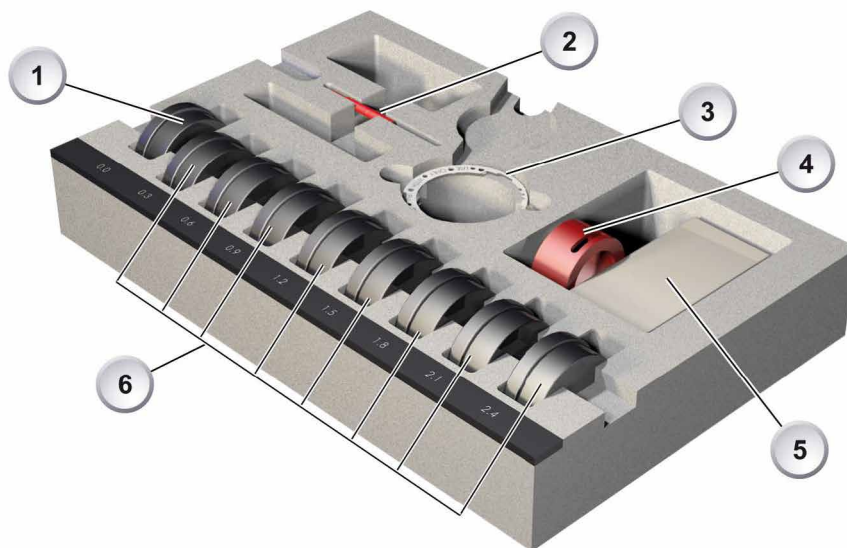


Fig. 20: The FSND Filter Set (Full) for ALEXA XT

To insert or change a filter:

See "Mounting in-camera filters", page 61. Each filter is also available separately or in bundles.

12.3 Shimming the lens mount

In-camera filtration will change your flange focal depth. Therefore, all internal filters require a properly shimmed lens mount (see page 51).

NOTICE

Use only the original shim IFM Shim when filtering with IFM-1.

To compensate for the change in flange focal depth due to the shim, always insert the IFM Optical Clear filter when no filtering is needed.

When the camera is no longer shimmed for IFM-1, the glassless IFM Empty Filter Frame must be placed back into the filter position.

General shimming precautions:

- Fix the IFM Shim properly between lens lock and lens mount.
- The shim's inscription must face camera-outwards.
- Mount all proper shims correctly without omitting, adding or losing any. Otherwise, the flange focal depth will not be correct.
- Mark your cameras shimmed for IFM-1 to avoid confusion.

Once the camera is shimmed for IFM-1: Immediately replace the IFM Empty Filter Frame with an FSND filter or the IFM Optical Clear filter.

Store the IFM Empty Filter Frame in a safe place: When the camera is no longer shimmed for IFM-1 in the future, the IFM Empty Filter Frame must be placed back into the filter position.

If you de-shim the camera: Immediately replace the IFM Optical Clear filter or any other FSND filter with the IFM Empty Filter Frame.

To compensate for the change in flange focal depth due to the shim:

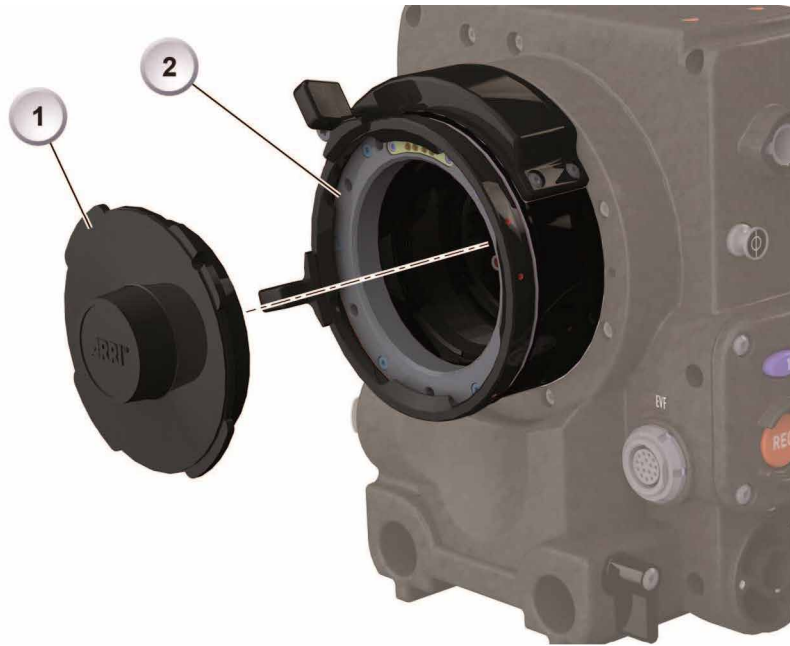
- ▶ Always use the IFM Optical Clear filter when no filtering is needed.

Tools needed:

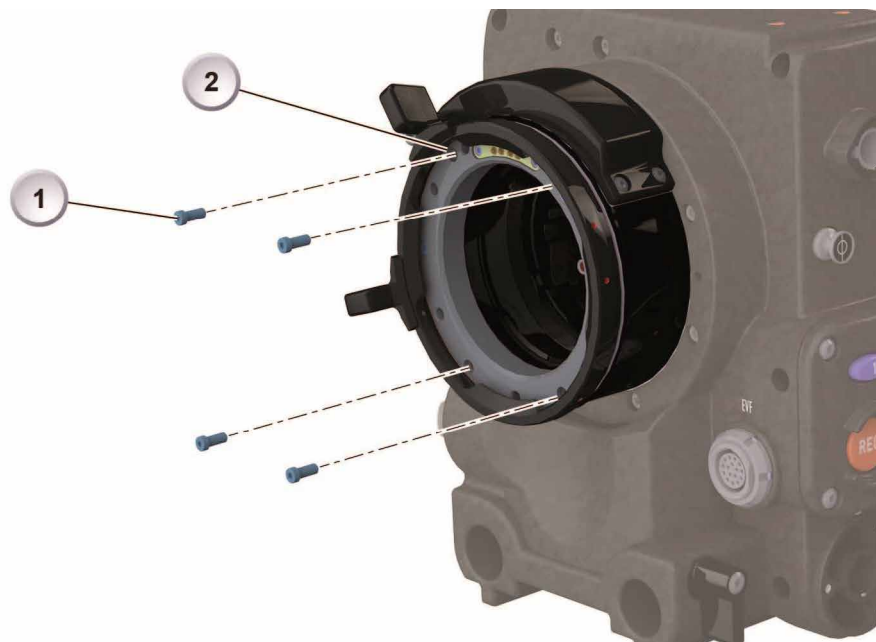
TX6 torx screwdriver

To shim the mount:

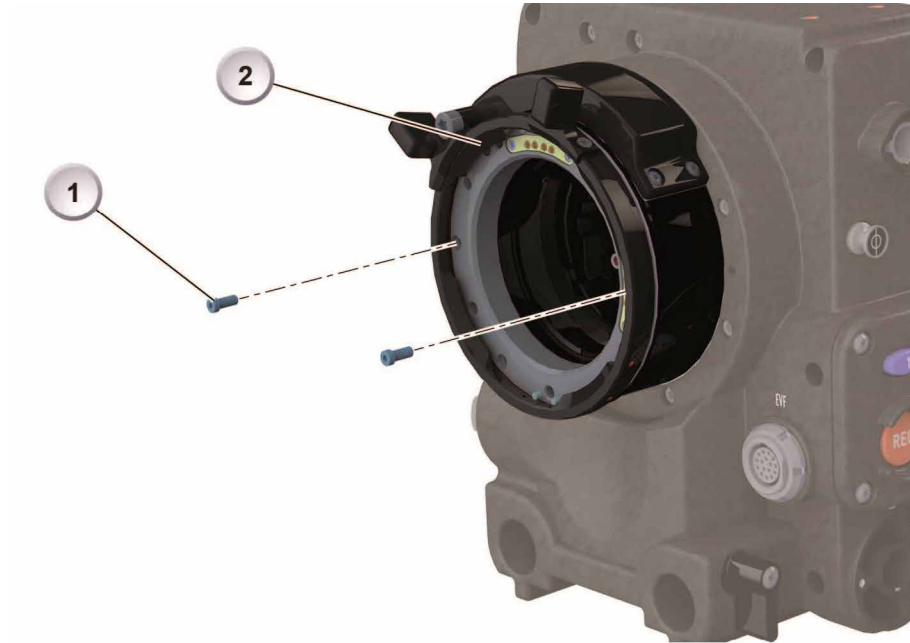
1. Remove lens or lid (1) from the PL lens mount and turn the lens lock into position CLOSED (2).



2. Unscrew (only with a TX6 torx screwdriver!) the four accessible torx screws (1) that hold the lens lock (the other two torx screws are still hidden by lock position CLOSED).



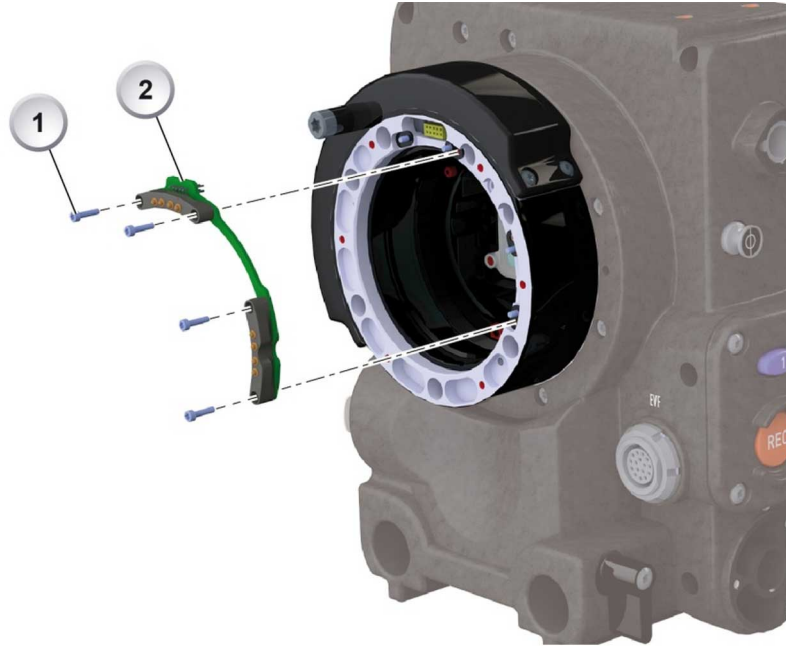
3. Turn the lens lock into position OPEN (2) to unhide and unscrew the other two torx screws (1).



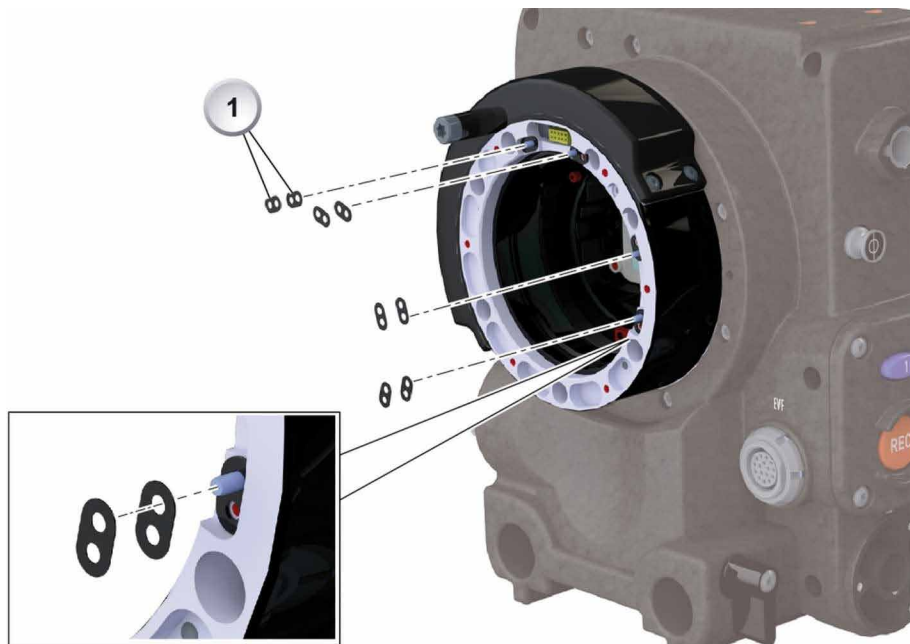
4. Remove the lens lock (1) from the PL mount. Keep all installed shims (if any) carefully in place (2):



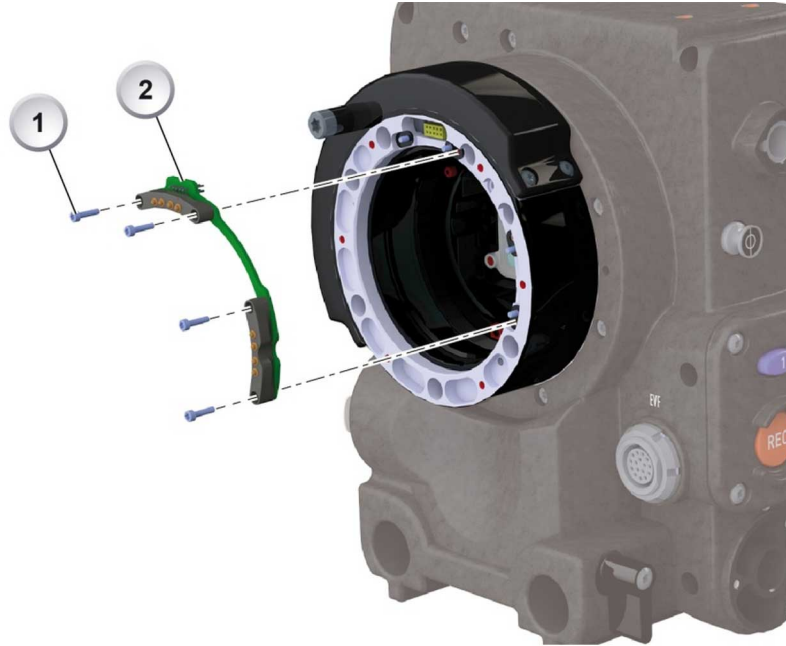
5. Remove the LDS pin support and MCA print (2) by unscrewing the four TX6 torx screws (1).



6. Add two 0.1 mm washers (1) on each of the four positioning pins (see detailed section).



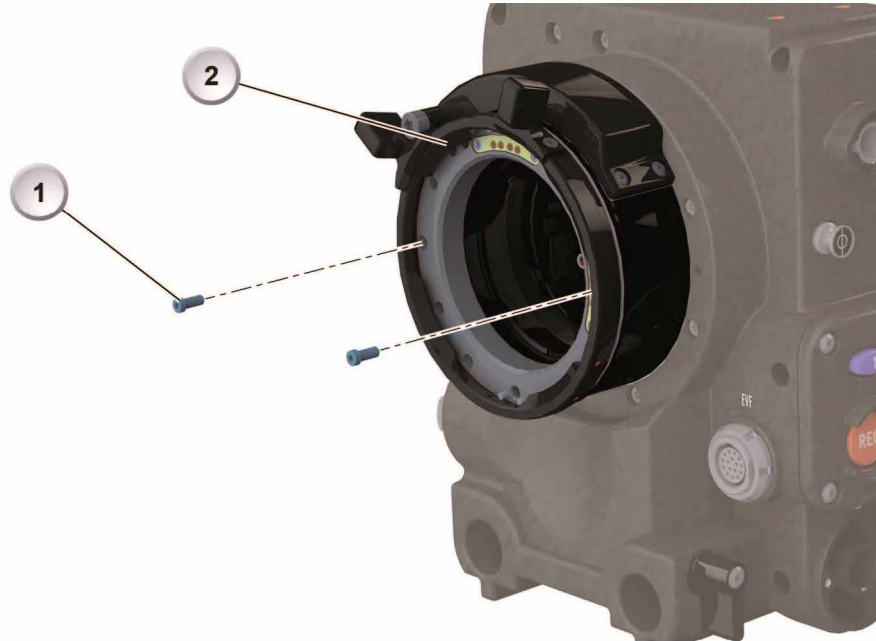
7. Reattach the LDS pin support and MCA print (2) by fastening the four TX6 torx screws (1) hand-tight.



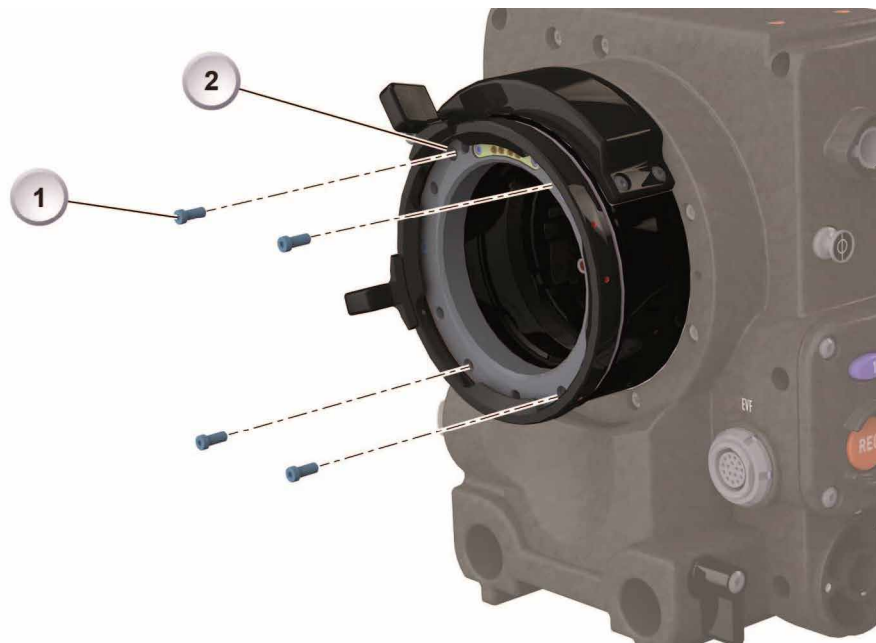
8. Accurately place the IFM Shim, with its inscription always facing camera-outwards (2), onto the PL mount. The shim's screw holes must line up exactly with the mount's thread holes and the index pin (3):



9. Fasten the lens lock, still in position OPEN (2), back to the PL mount; use two of the six torx screws (1) hand-tight:



10. Turn the lens lock into Position CLOSED (2) and fasten the other four torx screws hand-tight (1). Check if all screws and the shim fit correctly:



11. Before mounting a lens, always check its mounting depth (see "Safety instructions for in-camera filtration", page 51 and "Maximum lens mounting depth", page 51)

NOTICE

Make sure the LDS connection between lens and camera's PL mount works properly. If not, add more washers (see step 6).

12.4 Mounting in-camera filters

Internal filters are very delicate. Before you mount or change a filter, check the lens mounting depth (see "Safety instructions for in-camera filtration", page 51 and "Maximum lens mounting depth", page 51).

NOTICE

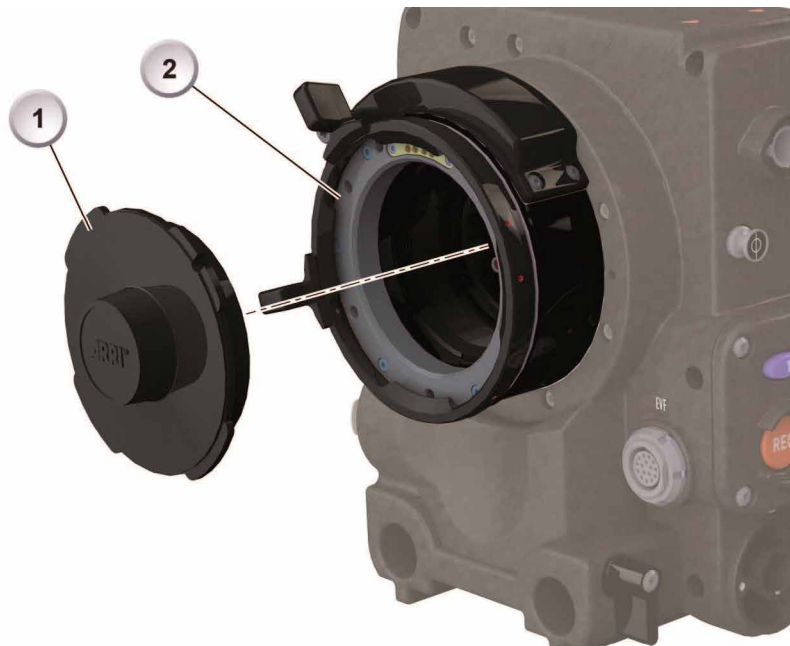
By default, the filter position in the lens mount of the ALEXA SXT (except ALEXA SXT Studio) is occupied by the IFM Empty Filter Frame. This glassless filter ring must be replaced by a real filter or IFM Optical Clear filter, once the camera is shimmed for IFM-1 use (see page 55)

Tools needed:

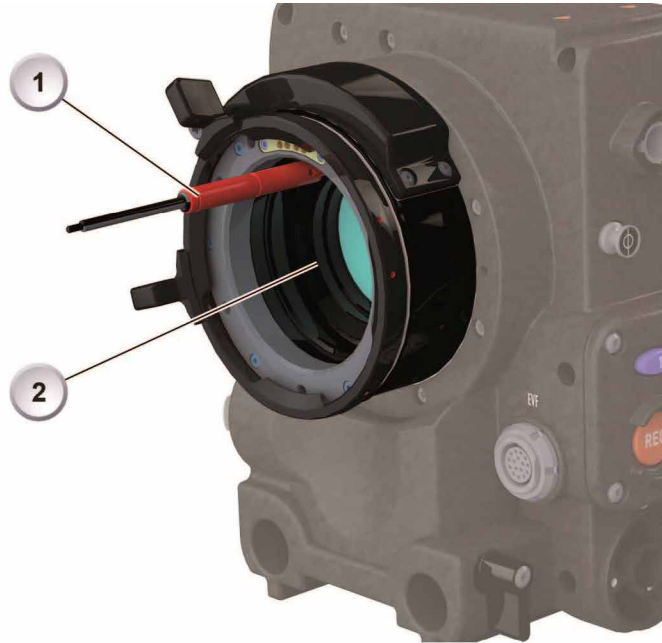
Ground Glass/Frameglow tool

To insert or change an in-camera filter:

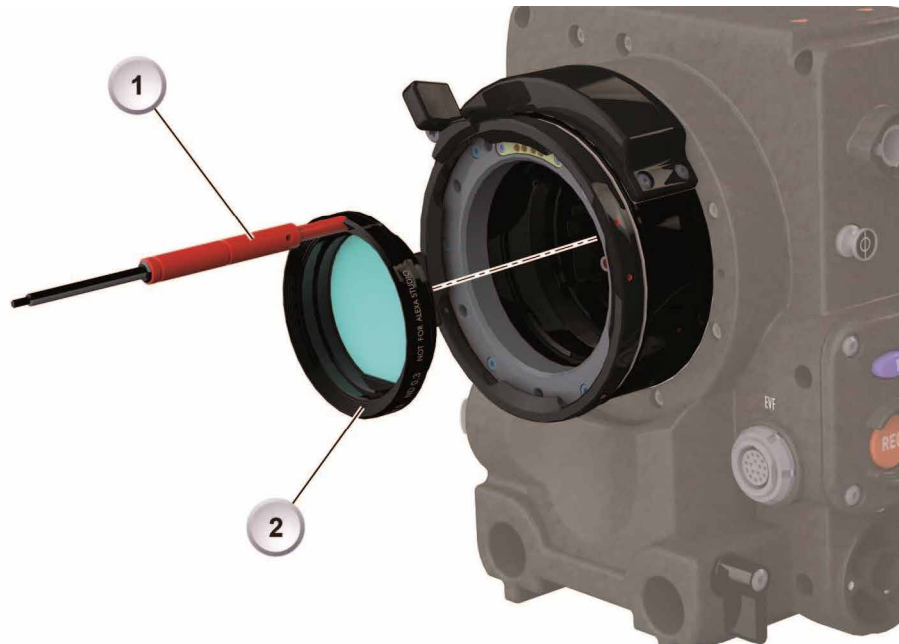
1. Remove the lens or lid (1) from the PL lens mount (2).



- Carefully screw the Ground Glass/Frameglow tool (1) into the filter ring's (2) thread hole in the 12 o'clock position (1).

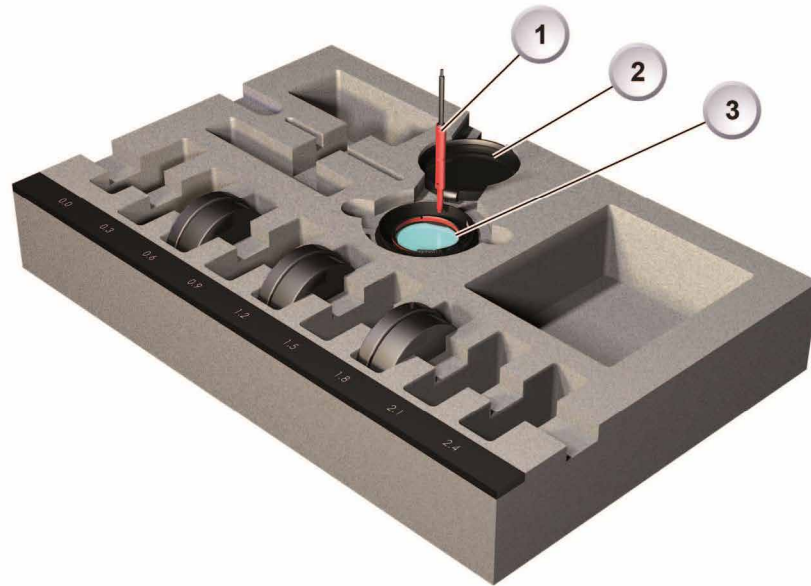


- Pull the filter (2) from the bottom ring in the camera's PL mount. If the filter position is held by an IFM Empty Filter Frame, remove it likewise.

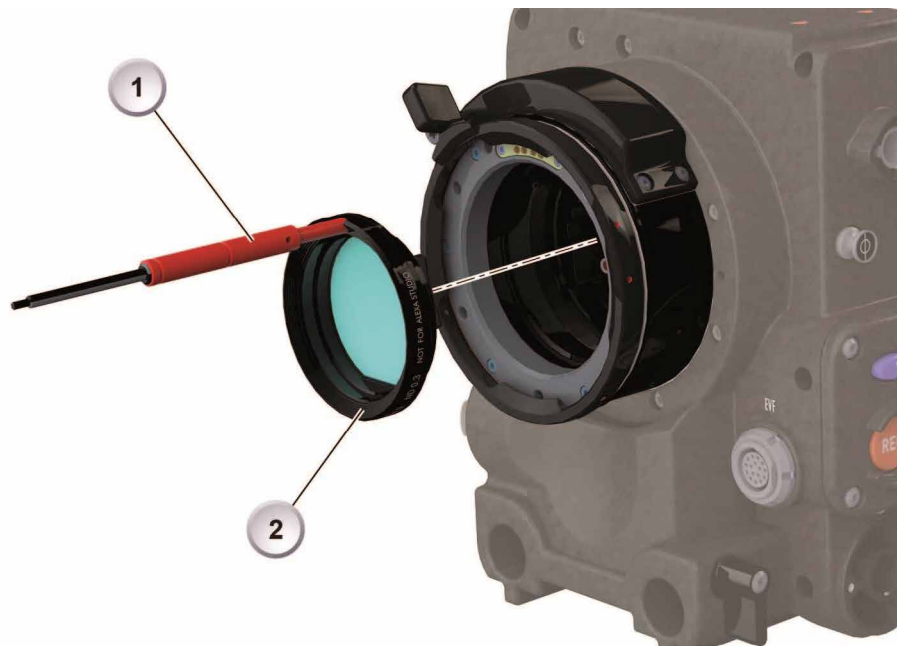


- Clean the removed filter and stow it properly in its individual box and the storage case. If the filter position was held by an IFM Empty Filter Frame, store it likewise (in case the camera is no longer shimmed for IFM-1 in the future).

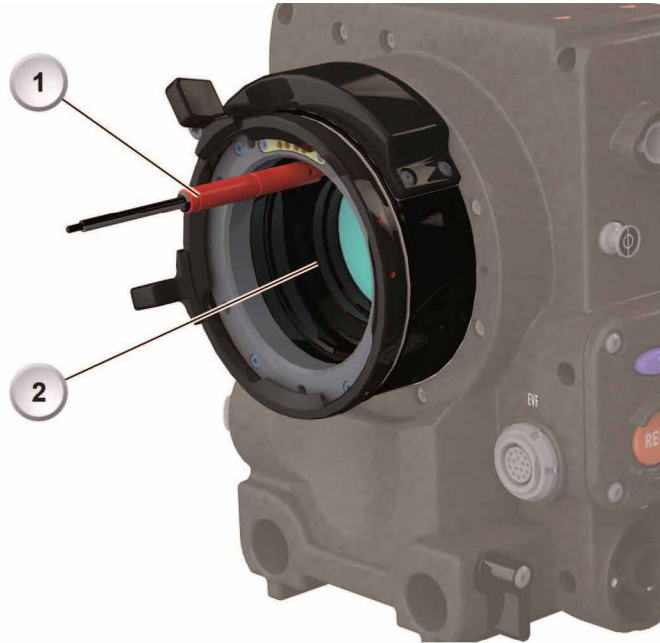
5. Place the removed filter into its padded filter box (2) in the storage case (3). Remove the Ground Glass/Frameglow tool (1) to pick up the next filter.



6. Make sure the next filter is clean (2) and the Ground Glass/Frameglow tool is in the 12 o'clock position (1).



7. Place the next filter onto the bottom ring in the camera's PL mount. The Ground Glass/Frameglow tool has to be in the 12 o'clock position (1).



8. Align the filter ring's main notch with the bottom ring's red nut in the 6 o'clock position. To ensure an accurate fit, align the filter ring's other notches with the two red noses in the bottom ring's 10:30 and 1:30 positions.
9. After the magnetic filter ring has audibly snapped into position, carefully unscrew the Ground Glass/Frameglow tool. The filter has to sit precisely on the bottom ring.
10. Mount a lens (observe maximum lens dimensions!), or cover the PL lens mount properly with its lid (1).

NOTICE

- All internal filters require a properly shimmed lens mount (see page 55). To compensate for the change in flange focal depth due to the shim, always insert the IFM Optical Clear filter when no filtering is needed. When the camera is no longer shimmed for IFM-1, the glassless IFM Empty Filter Frame must be placed back into the filter position.
- Internal filtration does not work with ALEXA SXT Studio. For PL mount lenses, IFM-1 works only with a lens mounting depth of 31.50 mm maximum.

12.5 Filter cleaning

Tools needed:

- Cleaning Instructions
- Fresh rubber gloves
- Micro bellows
- Cotton swab
- Purified alcohol
- Microfiber Cloth from FSND Filter Set

To clean the filters:***NOTICE***

To avoid in-camera damage, always clean all filters outside of camera.

1. Ensure a clean, dust-and-moisture-free environment
2. Wear fresh rubber gloves to avoid fingerprints and smear
3. Never touch the sensor
4. Check the coating for dirt, smear and scratches
5. Remove sand, dust or solid particles with micro bellows
6. Clean off oil, grease or smear with a cotton swab (or the microfiber cloth) slightly wetted in purified alcohol only

13 Camera Controls

The ALEXA can be controlled through three user interfaces:

Main controls	Location: camera-right side Interface: 3-inch LCD-screen with floating-function buttons, a jogwheel to navigate through menus and adjust parameters, and a range of fixed-function buttons.
Operator controls	Location: camera-left side Interface: three assignable function buttons plus three fixed-function buttons for easy operator access.
EVF controls	Location: Electronic Viewfinder EVF-1 Interface: fixed function buttons and a jogwheel for adjustment of viewfinder parameters and primary shooting parameters.

13.1 Main Controls

The main controls can be used to set all camera parameters.



Fig. 21: Main controls

13.1.1 Display

The 3-inch LCD has a resolution of 400x240 pixels. The back-lit, transfective display has exceptional contrast even in bright sunlight.

To adjust the LCD brightness:

- ▶ On the HOME screen, rotate the jogwheel while pressing the *BACK* button.

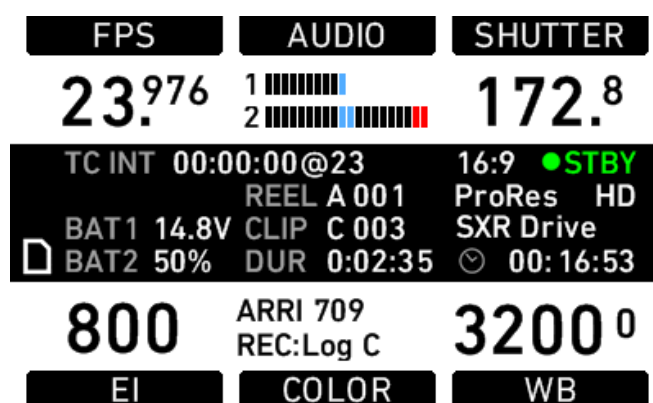
A plastic shield protects the display from scratches. It can be removed by pulling it off the four pins.

13.1.2 Screen Buttons

Six screen buttons are located above and below the LCD display. Their function varies depending on the screen content and is shown directly above or below each button. If no function is shown above or below a button on the LCD, it has no function for that screen.

As a failsafe, operations that cannot be reversed and can result in the loss of data require pressing two buttons simultaneously to confirm the operation.

13.1.3 HOME screen



The HOME screen is the ALEXA's default screen. It shows the most important camera parameters and gives quick access to changing them through the screen buttons. To return to the HOME screen from any menu in the camera, press the *HOME* button.

NOTICE







To adjust the LCD brightness from the HOME screen, rotate the jogwheel while pressing the *BACK* button.



Screen buttons

Button	Function
FPS	Sets the frame rate of the sensor.
AUDIO	Shows the current audio level. If AUDIO is set to Off, the audio input is switched off: no audio is embedded in the HD-SDI outputs, and no audio tracks are recorded onto internal media. The same applies if AUDIO is disabled, which is the case if the sensor frame rate is different from the project fps setting (for example, while over- or undercranking).
SHUTTER	Sets the shutter angle of the sensor. Shutter angle and sensor fps determine exposure time of the sensor in seconds by the following equation: $\text{angle} / (360 * \text{fps})$.
EI	Sets the exposure index rated in ASA. The ALEXA has a base sensitivity of 800 ASA. <i>Note: ASA rating is identical to ISO rating.</i> <i>Note: Exposure Index is not applied to ARRIRAW signals.</i>

Button	Function
COLOR	Opens the color screen, where gamma and look settings for internal recording, MON OUT 1/2/3 and EVF can be changed.
WB	<p>Sets the camera's white balance. This is the color temperature of the light source that the ALEXA is currently adjusted for. In addition to the red/blue correction of the white balance, the ALEXA can also compensate for a green/magenta tint. This value, called CC (color compensation), is shown as an exponent of the WB value. Positive values are marked with a "+" and negative values with a "-".</p> <p>The user can execute an automatic white balance by pressing the <i>AUTO WB</i> button in the <i>WB</i> screen.</p>

Camera Status Section

TC	Displays the current time code including the source (INT: internal, EXT: external source). Frames are not displayed. The time-base of the time code is shown after the @ sign.
	Camera is set to Ext sync: MASTER
	Camera is set to Ext sync: SLAVE
	Settings sync is active
BAT 1	The voltage level of the power source present at the BAT connector, or the remaining capacity of an attached battery in percentage if it transmits this information.
BAT 2	The voltage level of a battery attached to the onboard battery adapter, or the remaining capacity of an attached battery in percentage if it transmits this information.
REEL	Identifies the current reel with the camera index letter, such as A or B and the reel number.
CLIP	Identifies the current clip with the clip index and clip number.
DUR	Displays the duration (i.e. screen time in relation to project rate) of the current clip while recording or of the last recorded clip while in standby, in the format <i>h:mm:ss</i> .
	The camera is in standby and ready to record.
	The camera is recording.
	The camera is prerecording.

	<p>An error occurred and recording is not possible. Press the <i>INFO</i> button for more information.</p> <p>If nothing is shown, the camera has detected no errors, but no media is present for recording.</p>
SXR Drive	Type of inserted media (SXR/XR Capture Drive, SxS PRO, CFast 2.0)
 00: 16: 53	<p>During standby, shows remaining capacity of the inserted media in hours, minutes, and seconds. It is calculated for the current framerate and codec.*</p> <p>During recording, shows remaining length for current clip in hours, minutes, and seconds, prefixed with 'C'.</p> <p>Shows media status when media is not ready for recording.</p>

* When recording is set to ProRes, the value shown is the minimum available recording time for the current sensor frame rate and codec combination. Apple ProRes™ is a variable bit rate codec, so the actual remaining recording time depends on the image content. The remaining time is updated during recording. After stopping recording, the remaining time may skip a few seconds because some media space is needed for file management.





NOTICE








- Media that has been formatted with a newer or older SUP version may not be recognized correctly and be shown as invalid, or may trigger the warning "files not consistent". In this case, backup any data from the media and format it in-camera.
- In SUP 1.0, the maximum size of a single clip is limited to about 229 GB. Therefore, the camera shows a little 'C' (for clip) next to the clock icon as soon as recording starts, and it counts down the remaining time for the current recording. During standby, the camera shows the remaining capacity for the whole medium.

COLOR Section

Day4Night REC:Log C	<p>Name of the selected ARRI Look File 2 file</p> <p>Selected gamma for recording path</p>
--------------------------------	--

Icons

Name	Icon	Description
General Warning		Important information is waiting on the INFO screen.
General Error		An error has occurred. Check the INFO screen for more information.
Temperature Warning		There is a minor sensor-temperature offset. Image quality may be slightly affected.
Temperature Error		There is a substantial sensor-temperature offset. Image quality may be seriously affected.

Name	Icon	Description
Lock		The Main Controls are locked.
SD Card		An SD card is present. The icon turns orange when the card is accessed.
Grab		The GRAB icon flashes while a still frame is being taken and written to the SD card.
High Humidity Mode		The sensor is in High Humidity mode (i.e. the sensor is kept at 40° C sensor temperature to avoid condensation).
Radio		The ARRI Wireless Remote System (WRS) radio is active.
		The wireless network/WiFi radio is active.
		The ARRI Wireless Remote System (WRS) radio and the wireless network/WiFi radio are active.

NOTICE

A sensor temperature warning or error after boot-up is normal, as it takes a few seconds for the sensor to reach its preset temperature.

13.1.3.1 Lists and User Lists

On the HOME screen, press the *FPS*, *SHUTTER*, *WB* (white balance) and *EI* (exposure index) buttons to open lists of preconfigured values for each setting.

User-defined values can be added to the FPS, SHUTTER and WB lists. The EI list is fixed and user-defined values cannot be added. It contains values from 160-3200 ASA in steps of 1/3 stops.

Setting a list value

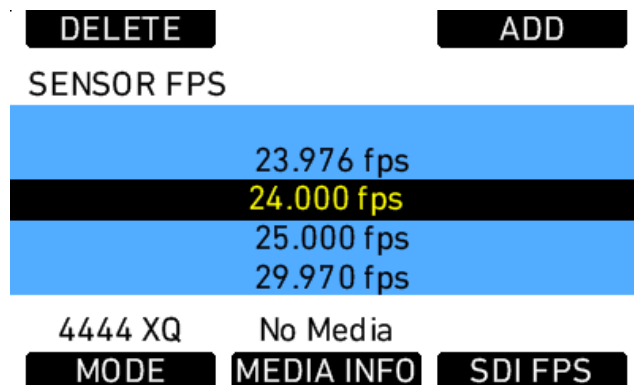


Fig. 22: SENSOR FPS screen

Any value in a list may be set. Invalid values will appear grayed out.

To set a list value:

1. Rotate the jogwheel to select the desired list value.
2. Press the jogwheel to set the list value.

Adding a list value

If the desired list value does not appear in the list, a user-defined value can be added.

To add a list value:

1. Press the *ADD* button.
2. On the *ADD* screen, use the jogwheel and + or – buttons to enter a new list value.
3. When you are finished entering the new list value, press the jogwheel to add it to the list.

NOTICE

Each list supports a maximum of 16 entries. To add new user-defined list values to a full list, you must delete previously added user-defined list values.

Deleting a list value

User-defined list values that are no longer required can be deleted.

To delete a list value:

1. Press the *DELETE* button.
2. On the *DELETE* screen, use the jogwheel to select the user-defined value you wish to delete.
3. Press both *DELETE* buttons simultaneously.

NOTICE

Preconfigured values cannot be deleted and will appear grayed out on the *DELETE* screen.



Default entries cannot be deleted

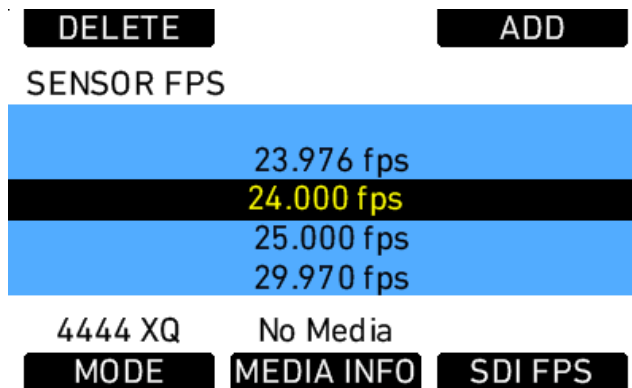
Figure 23: DELETE SENSOR FPS screen

NOTICE

The EI list is static and cannot be changed by the user. It contains ASA values from 160-3200 ASA in steps of 1/3 stop.

13.1.3.2 FPS

Press the *FPS* (frames per second) button on the *HOME* screen to open the *SENSOR FPS* list screen, which lists the default frame rates as well as user-defined frame rates.



NOTICE

Access to this screen is disabled during record.

The maximum frame rate that can be set is dependent on the type of media and the codec.

If the desired frame rate cannot be set because it is grayed out, change the codec to one with a lower data rate.

There are shortcut buttons on the *FPS* screen for *CODEC*, *INFO* and *SDI FPS*. In the *SDI FPS* screen, MON OUT 1/2/3 frame rates can be adjusted within the limits of their current format.

The MON OUT should match the sensor frame rate. If the sensor frame rate exceeds the available MON OUT frame rates, set the MON OUT to half the sensor frame rate if possible to maximize the smoothness of the image when panning and tilting.

To correctly set frame rates for the MON OUT:

1. Press the *MENU* button.
2. Using the jogwheel, select the *Monitoring* menu.
3. Select *MON OUT*.
4. Set *Frame rate* to the same frame rate as the sensor frame rate. If the sensor frame rate exceeds the range of the available MON OUT frame rates, set the MON OUT frame rate to half the value of the sensor frame rate.
5. Press the *HOME* button to exit.

13.1.3.3 AUDIO

Press the *AUDIO* button on the HOME screen to open the AUDIO screen. This screen shows the ALEXA's two audio channel levels. The audio levels are displayed from -45 dBFS to 0 dBFS.

NOTICE

No audio meters are displayed on the HOME screen or AUDIO screen when audio is set to Off or audio is disabled. Audio is disabled when the sensor frame rate does not match the project frame rate. In this case, no audio is transmitted via HD-SDI.

Light blue markers show reference levels of -20, -18 and -9 dB FS.

Red markers at levels -1 and 0 dBFS warn of clipping. With proper audio signal levels, the red markers should almost never be visible.

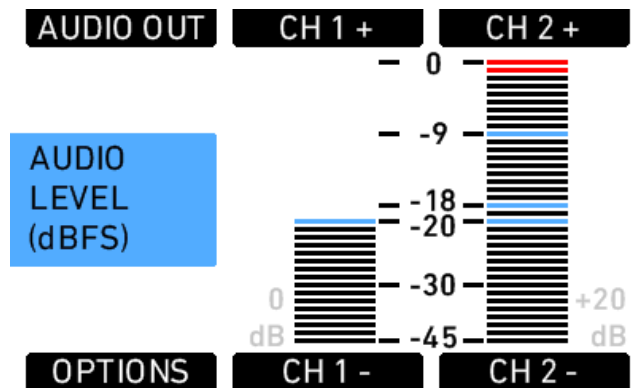


Fig. 23: Audio screen

Gain can be applied to the audio channels by turning the jogwheel to set both channels, or by pressing the *CH 1+*, *CH 1-*, *CH 2+* and *CH 2-* buttons. The amount of gain applied by the camera is indicated next to the levels as light gray numbers.

NOTICE

When adjusting audio input levels, a "clicking" noise can be heard on audio outputs. Adjustment of audio levels therefore is disabled during recording.

Press the *OPTIONS* button to open the *AUDIO IN>OPTIONS* screen and set audio parameters.

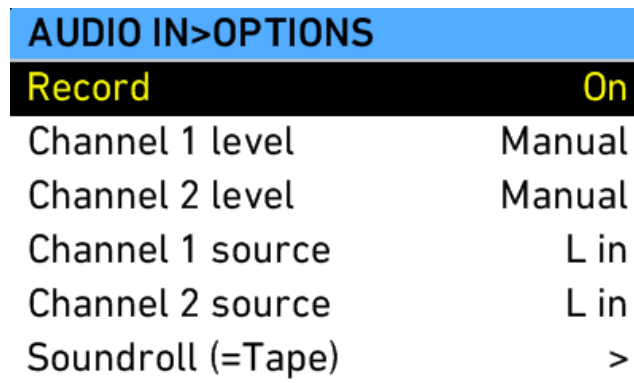


Fig. 24: *AUDIO IN>OPTIONS* screen

Option	Description
Record	Turns audio recording <i>On</i> or <i>Off</i> . If audio recording is switched off, no audio is recorded internally, HD-SDI contains no audio and Audio out is muted.
Channel 1 level	Manual allows the user to manually apply gain to the input signal on channel 1 to reach a correct level. Unity matches a 4 dBu input signal to -20 dBFS. This setting leaves enough headroom for recording and avoids audio clipping. When Unity is selected, audio levels cannot be adjusted by the user.

Option	Description
Channel 2 level	Manual allows the user to manually apply gain to the input signal on channel 2 to reach a correct level. Unity matches a 4 dBu input signal to -20 dBFS. This setting leaves enough headroom for recording and avoids audio clipping. When Unity is selected, audio levels cannot be adjusted by the user.
Channel 1 source	Select the left or right input signal as the source for Channel 1.
Channel 2 source	Select the left or right input signal as the source for Channel 2.
Soundroll (=Tape)	Enter a name for the sound roll (also known as Tape in the menus of some recorders) of an external audio recorder, for easier sound syncing in post-production. The name will be written to the FCP XML file and the Avid Log Exchange (ALE) file on the recording media.

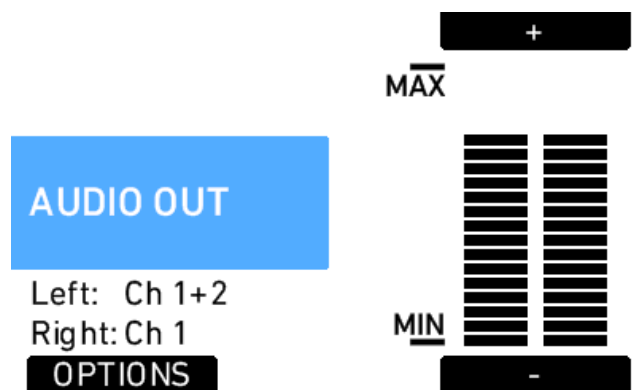


Fig. 25: Audio out screen

Press the *AUDIO OUT* button to open the *AUDIO OUT>OPTIONS* screen where the global volume for both Audio out channels can be adjusted. The *OPTIONS* button opens a list of *AUDIO OUT* options.

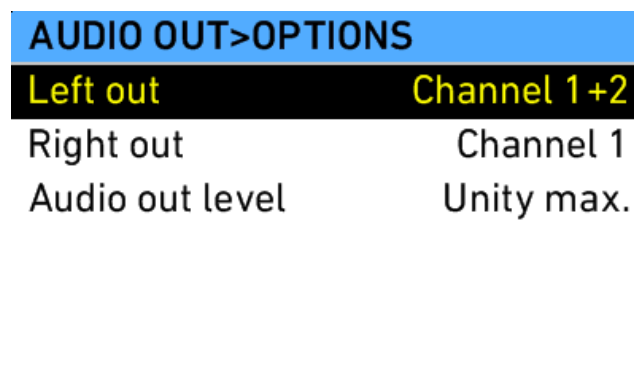


Fig. 26: *AUDIO OUT>OPTIONS*

Left out	Sets which channel is routed to the left output.
Right out	Sets which channel is routed to the right output.

Audio out level	Set the level of the audio out channels manually, or set it to fix the maximum output.
-----------------	--

NOTICE

- These settings do not influence the audio signal embedded in the HD-SDI connectors or recorded in QuickTime clips. They only affect the AUDIO OUT connector.
- ALEXA automatically determines the internal signal run time and matches audio and images so they are always in sync. When changing sensor fps or project fps, it may take up to 2 seconds for the camera to resync image and audio signals.

13.1.3.4 SHUTTER

Press the *SHUTTER* button in the HOME screen to open the SHUTTER ANGLE screen.

NOTICE

Access to this screen is disabled during record.

The list of default shutter angles includes 11.2°, 22.5°, 45.0°, 90.0°, 172.8°, 180.0°, 270.0° and 358.0°. User-defined shutter angles can be set by pressing the *ADD* button. The exposure time for the current frame rate and shutter angle is indicated in seconds at the bottom of the SHUTTER ANGLE screen.

The shutter angle range is 5.0° to 358.0° up to 60 fps and 5.0° to 356.0° above 60 fps. Below the list, the actual exposure time at the currently set frame rate is shown.

NOTICE

Be aware that the combination of long exposure times (a low sensor frame rate and large shutter angle) and high exposure indexes can lead to image artifacts! Try to avoid exposure times longer than 1/25th of a second for maximum image quality.

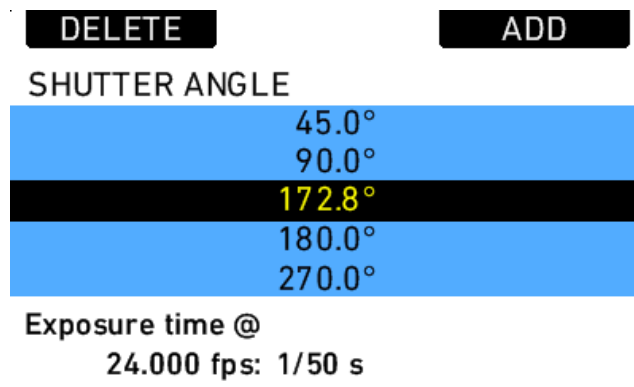


Fig. 27: Shutter list

13.1.3.5 EI

The Exposure Index (EI) is the applied sensitivity of the camera.

The ALEXA has a base sensitivity of 800 ASA. This means that the dynamic range is almost evenly distributed above and below neutral gray with low noise in the shadows and clean, smooth clipping behavior in the highlights.

Due to its high dynamic range, the ALEXA's sensitivity can be set from 160 to 3200 ASA in steps of 1/3 stops while maintaining high image quality.

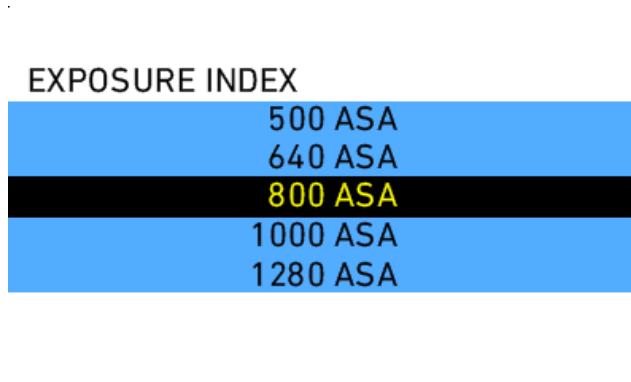


Fig. 28: Exposure Index screen

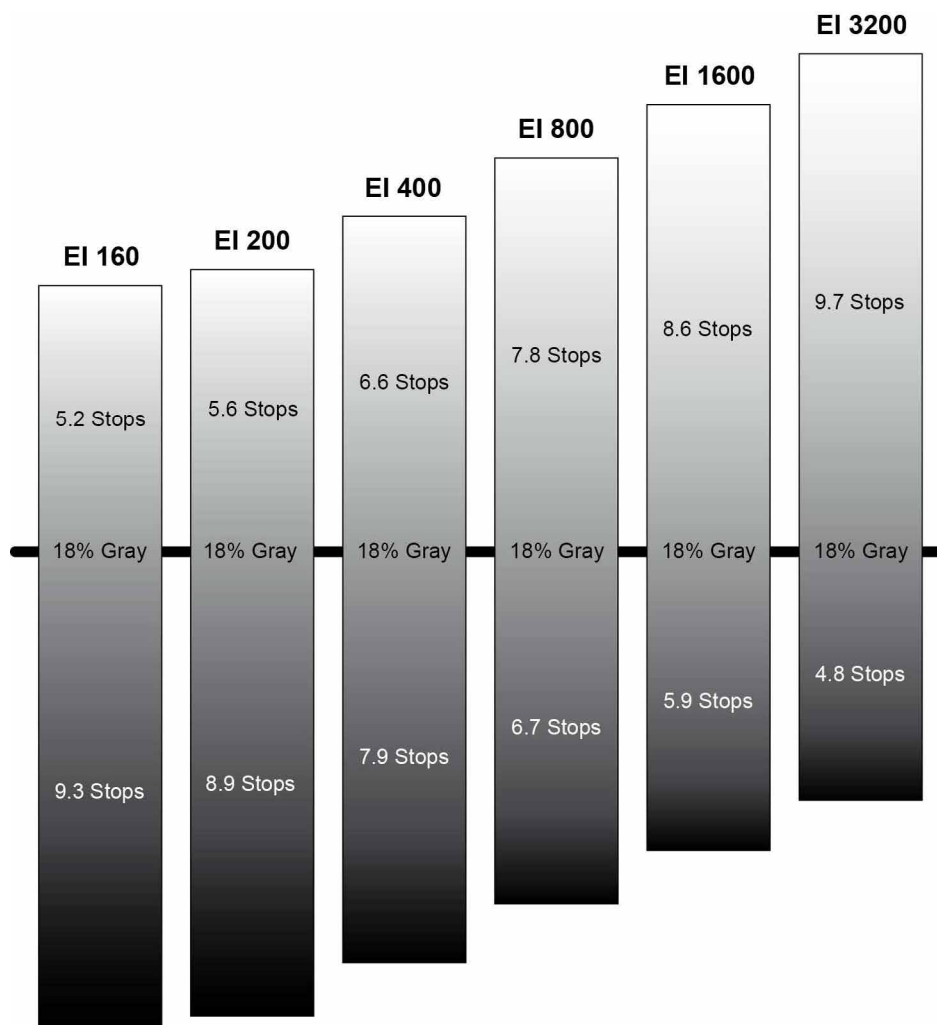
NOTICE

- The Exposure Index list has fixed content, meaning that it cannot be changed by the user.
- When changing the EI setting during recording, one or more frames on the recorded material may show artifacts resulting from the change.
- An area that is overexposed more than eight stops above clipping can appear darker than its surroundings.

Applying the exposure indexes at the extremes of the range will nonetheless have an influence on the images. At low exposure indexes, such as 160 ASA, the dynamic range below neutral gray increases, reducing noise even further. At the same time, the dynamic range above neutral gray is slightly reduced. Highlight clipping itself is not influenced by this, but the shoulder of the gamma curve will get slightly steeper, reducing the smoothness of the change from almost overexposed to overexposed.

At high exposure indexes, such as 1600 ASA, the images behave in the opposite way. Noise is increased, which makes it important to judge shadow detail, while there will be even more headroom in the highlights.

EI 160 ^{+5.2}/_{-9.3} EI 200 ^{+5.6}/_{-8.9} EI 400 ^{+6.6}/_{-7.9} EI 800 ^{+7.8}/_{-6.7} EI 1600 ^{+8.6}/_{-5.9} EI 3200 ^{+9.7}/_{-4.8}



13.1.3.6 COLOR

The ALEXA SXT comes with very powerful color processing capabilities that can be configured on the COLOR screen. As the possible combinations of color processing parameters may become quite complex, ARRI provides a white paper titled "ARRI Look Management in ALEXA SXT", available for download on the ARRI ALEXA webpage.

Press the *COLOR* button to open the COLOR screen. The COLOR screen displays an overview of the color management settings applied to the camera's output paths, including:

- the current processing setting of internal recording
- a link to the processing settings of EVF and MON OUT 1/2/3
- the currently set ARRI Look File 2
- a link to the MON OUT color space configuration

If the ARRI Look File 2 file has been modified via an external Camera Access Protocol (CAP) enabled software, but is not yet saved, the look file name is appended by an asterisk.

COLOR	
REC processing	Log C
EVF/MON processing	>
Look file	ARRI 709>
MON OUT color spaces	>

Processing defines the type of processing that is applied to the image path. The following list describes which image processing settings are available. Note that in case of ARRIRAW recording, REC processing is always set to ARRIRAW and cannot be changed.

Log C	Log C is a logarithmic gamma based on the Cineon format for output to film print or digital intermediate. Color-grading is a required post-production step in the Log C workflow. Standard broadcast monitors cannot properly display Log C images so a conversion look up table (LUT) is necessary for display, dailies and editing proxies. Log C images will appear flat and desaturated when displayed on standard broadcast monitors. ALEXA preview LUTs can easily be generated using the ARRI LUT Generator, a web application available on www.arni.com .
Look file	The ARRI Look File 2 file that has been selected is applied on the respective image path.
ALEXA Classic 709	The ALEXA performs an image processing that is similar to the behavior of an ALEXA XT or ALEXA Classic with SUP 11. This setting is mainly useful if a standard REC 709 conform image should be output on the respective image path, but a more creative ARRI Look File 2 file has been loaded, e.g. for recording. This setting is not available for internal recording.

MON OUT color spaces

The MON OUT color spaces screen allows to configure the color space for MON OUT 1/2/3. This setting must match the color rendering capabilities of the connected monitors, otherwise color clipping may occur.

ARRI Look File 2 files

ARRI Look File 2 files are a way for the user to alter the parameters the ALEXA uses when converting the sensor image data to a video color space. This can be described as applying a custom "look" to the different image output paths. The ARRI Look File 2 file can be applied directly to the recorded image (destructive workflow), or just to the monitoring paths and included in the clip as metadata only (non-destructive workflow).

The ALEXA comes with several pre-installed ARRI Look File 2 files, including LCC 709, where LCC stands for Low Contrast Curve and 709 denotes the target color space. This ARRI Look File 2 file contains a custom tone map curve that creates a video image with lower contrast compared to the standard REC 709 output. As a

result, the image holds as much dynamic range information as possible, without using Log C encoding. Highlight and shadow detail that would be lost in the typical REC 709 tone mapping can still be accessed.

ARRI Look Creator, a free application from ARRI, and some third-party applications can be used to create ARRI Look File 2 files, which can be based on frame grabs taken with the ALEXA.

To apply an ARRI Look File 2 file:

1. On the HOME screen, press the *COLOR* button.
2. Select *Look file* from the menu.
3. Using the jogwheel, select an ARRI Look File 2 file from the list on the LOOK FILES screen. The default preloaded ARRI Look File 2 is ARRI 709.
4. Press the jogwheel to set the ARRI Look File 2.
5. On the COLOR screen, set the processing to Look file.

NOTICE

If REC gamma is set to Look file, the recorded image on the internal media will be permanently altered by that ARRI Look File 2 file.

Additional ARRI Look File 2 files can be added to the ALEXA from the SD card. The ARRI Look File 2 files must be copied into the *lookfiles* folder on the SD card. The required folder structure on the SD card can be created via *MENU>System>SD card>Prepare SD card*.

To add an ARRI Look File 2 files to the camera:

1. On the HOME screen, press the *COLOR* button.
2. Select *Look file* from the menu.
3. Press the *ADD* button.
4. Using the jogwheel, select an ARRI Look File 2 file from the list on the LOOK FILES (SD CARD) screen.
5. Press the jogwheel to add the ARRI Look File 2 file. The ARRI Look File 2 file will be added to the list on the LOOK FILES screen.

To delete an ARRI Look File 2 file from the camera:

1. On the LOOK FILES screen, select an ARRI Look File 2 from the list.
2. Press the *DELETE* button.
3. Press both new *DELETE* buttons simultaneously. The ARRI Look File 2 file will be deleted from the camera but will remain on the SD card.

Playback and ARRI Look File 2 files

During playback, the camera makes a distinction between clips recorded in ARRIRAW, Log C, or Look processing.

When a clip recorded in ARRIRAW or Log C is played back and an output is configured for Look processing, the look will be applied to this output. Please note that this is the currently enabled ARRI Look File 2, as the camera does not take into account which ARRI Look File 2 was active when the clip was recorded. It is the responsibility of the user to make sure the correct ARRI Look File 2 is applied during playback.

When a clip recorded with Look processing is played back, no ARRI Look File 2 will be applied by the camera during playback. For the duration of that clip, ARRI Look File 2 files will be disabled.

13.1.3.7 WB

White Balance (WB) is the color balance of the camera that should be set to the value appropriate for the light in use. There are three methods for setting the white balance:

- white balance presets
- user-defined white balance
- automatic white balance

On the HOME screen, press the *WB* button to open the WHITE BALANCE screen. The ALEXA has the following white balance presets:

Tungsten	3200K 0CC
Fluorescent	4300K 0CC
Daylight	5600K 0CC
Daylight Cool	7000K 0CC

White balance is a red-blue adjustment of the image. To adjust the green-magenta balance, use the color compensating (CC) adjustment.

For example, a fluorescent source will have peaks in its spectrum that cannot be corrected with the traditional white balance. The CC shift can correct these peaks up to a full green or full magenta gel. One step of CC SHIFT is equal to 035 Kodak CC values or 1/8 Rosco values.

NOTICE

When changing the WB setting during recording, one or more frames on the recorded material may show artifacts resulting from the change.

DELETE
RENAME
ADD

WHITE BALANCE

Auto WB	3900K	-3CC
Tungsten	3200K	0CC
Fluorescent	4300K	0CC
Daylight	5600K	0CC

AUTO WB

Fig. 29: WHITE BALANCE screen

ARRI recommends adjusting white balance and color compensation using appropriate measuring equipment such as a vectorscope with calibrated grey card or a color meter.

If the desired white balance setting does not appear in the WHITE BALANCE list, a user-defined white balance can be added.

To add a white balance:

1. On the HOME screen, press the *WB* button.
2. Press the *ADD* button.
3. Rotate the jogwheel to adjust the white balance value in steps of 100K or press the + 1000K and – 1000K buttons.
4. Press the jogwheel or <> button to select the CC adjustment.

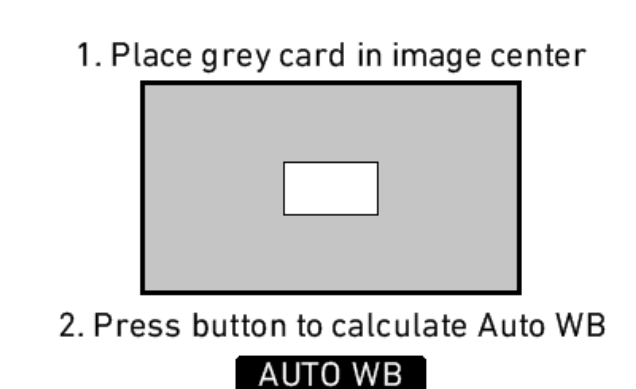
5. Rotate the jogwheel to adjust the CC value.
6. Press the jogwheel to add the new white balance to the WHITE BALANCE list.

To perform an automatic white balance:

1. On the HOME screen, press the *WB* button.
2. Press the *AUTO WB* button.
3. Place a well-lit grey card in the center of the image and press the *AUTO WB* button. The ALEXA will calculate the white balance and color compensation values and set these values for the "Auto WB" entry in the list.

Note: The automatic white balance will be overwritten each time a new one is calculated.

Note: If the grey card is significantly over- or underexposed, the ALEXA may not be able to calculate a white balance value and will display an error message.



To rename a white balance:

1. On the HOME screen, press the *WB* button.
2. Using the jogwheel, select the name of the white balance you wish to rename.
3. Press the *RENAME* button.
4. Use the jogwheel to enter a new name.
5. Press the *DONE* button to save the new name.

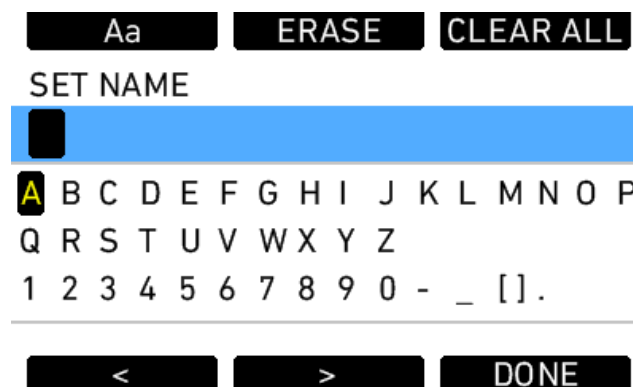


Fig. 30: WB SET NAME screen

NOTICE

Default white balance values cannot be renamed.

13.1.4 Function Buttons

The main controls feature the following function buttons:

<i>ON/OFF</i>	Press once to switch the camera on. Press and hold for 5 seconds to switch off the camera. A countdown will be displayed on the HOME screen. If the button is released before the countdown has elapsed, the camera does not switch off.
<i>REC</i>	Press to start and stop internal recording. See section Prerecording for behavior in prerecording mode.
<i>LOCK</i>	Press and hold for 3 seconds to lock or unlock the main camera controls and function buttons. The recessed function buttons <i>USER</i> , <i>REC</i> and <i>ON/OFF</i> cannot be locked and remain available. A lock symbol on the HOME screen indicates that the lock is engaged.
<i>GRAB</i>	Press to take a still frame and write it to the SD card. The write process is indicated by a flashing camera icon, followed by a flashing SD card icon on the HOME screen. When writing is finished, a new still frame can be taken.
<i>TC</i>	Press to open the TIMECODE screen.
<i>WRS</i>	Press to open the Wireless Remote System screen. Available on ALEXA SXT Plus, ALEXA SXT Studio, and ALEXA SXT W.
<i>PLAY</i>	Press to open the playback screen and activate playback on MON OUT and EVF. When the playback screen is opened, the last clip on the internal media that is on active standby will be loaded automatically.
<i>INFO</i>	Press to open the LIVE INFO screen. The LIVE INFO screen displays the camera's current system state and any current error messages. On the LIVE INFO screen, there are buttons to access the following additional information screens: <ul style="list-style-type: none"> • VERSION • MEDIA • SYSTEM • SAVE TO SD (press to save a log file) • FPS INFO
<i>USER</i>	Press to open the USER BUTTONS screen. There are six user buttons that can be assigned by the user. Buttons 1, 2 and 3 are shared with User Buttons 1, 2, and 3 in the operator controls. Press the jogwheel to see a complete list of user button options.
<i>MENU</i>	Press to open the MENU screen, where most camera settings can be adjusted.
<i>BACK</i>	Press to go back to the previous menu or screen when navigating. Press to cancel settings adjustments and revert to the previous setting.
<i>HOME</i>	Press to return to the HOME screen from any menu or screen.

13.1.4.1 TC

Press the *TC* button to open the TIMECODE screen. The TIMECODE screen displays the current timecode and timecode format settings.

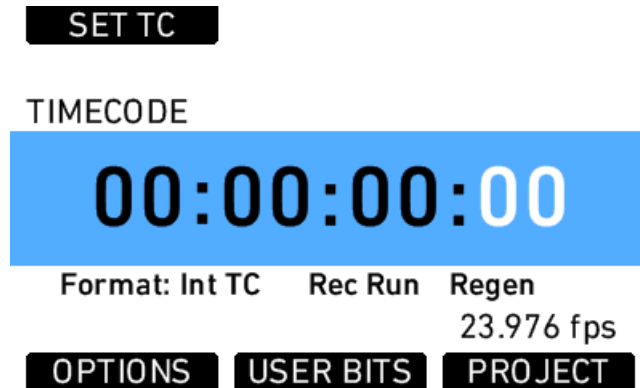


Fig. 31: Timecode screen

NOTICE	
Individual frame values are not shown but are still counted.	

Press the *SET TC* button to set the TC counter (only when the timecode source is set to Int TC). On the SET TIMECODE screen, press the *SET 2 TIME* button to match the counter to the camera's system clock. Press the *RESET* button to reset counter to zero.

The *PROJECT* button is a quick link into the PROJECT menu screen, where project fps can be adjusted. Project fps sets the time base of the time code.

TIMECODE OPTIONS

Press the *OPTIONS* button to open the TIME CODE OPTIONS screen.

Select *Source* to choose the timecode source. Available sources are:

Int TC	Internal TC counter
Ext LTC	TC is read from the LTC input. Only possible with Mode set to Free Run, and the project frame rate must match the sensor frame rate.

Select *Mode* to define how the timecode is counted. Available modes are:

Rec Run	TC will only run while recording. The TC value increases with every frame generated by the sensor while recording in the project time base.
Free Run	TC runs free. If the source is set to Int TC, and the sensor frame rate does not match the time base of the TC, the value counts up with every new frame generated by the sensor in the project time base.

Select *Generator* to set the camera's timecode generator. Available generators are:

Regen	<p>Rec Run TC is regenerated from the last valid TC value. When set to Ext LTC, the camera continuously reads the TC signal at the LTC connector as long as it is present. Upon disconnection or loss of signal, the camera continues counting on its own. When the external signal is reconnected, the camera uses the values of the external signal again.</p> <p>When set to Int TC, the value increases with each new frame generated by the sensor.</p>
Jam sync	<p>Only Ext LTC can be jam sync'd. To perform a jam sync, connect the external TC source to the camera. The camera then reads the external TC count and continues counting on its own; the external TC source can be removed again. The precise crystal oscillator in the ALEXA will count accurately for up to eight hours. After eight hours, perform another jam sync to prevent timecode offset.</p> <p>The camera can be sync'd to TC signals whose time base differs from the camera's project time base, as long as both are integer (24, 25 and 30 fps) or non-integer (23.976 and 29.97 fps) signals. It is not possible to mix integer and non-integer signals.</p>

NOTICE

- It is recommended to jam-sync after every shooting break to avoid the risk of losing timecode sync during a shot.
- The camera will keep its TC and TC tuning values for about 10 minutes after disconnection from the power source. If a power source is connected, the camera will remember its TC for as long as the power source is connected, even if it is switched off.

Select *User bit source* to set the source of the user bits. Available user bit sources are:

Internal	User bits are set manually in the User Bit screen.
UB in Ext TC	When the timecode source is set to Ext LTC, the user bits are sampled from the external signal.

NOTICE

- The camera will force timecode to Int TC and Regen if the sensor frame rate does not match the project frame rate.
- Non-integer TC time base settings 23.976 and 29.97 are always counted as non-dropframe time code.

USER BITS

Press the *USER BITS* screen button to access the USER BITS screen. For each user bit, values from 0 to 9 and A to F can be set.

Press the *SET UB* button to start editing the user bits values.

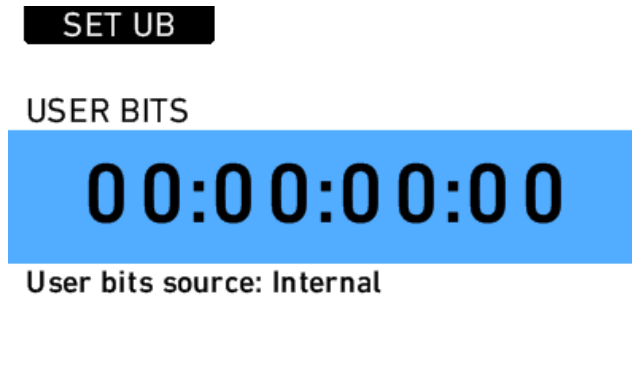


Fig. 32: USER BITS screen

NOTICE

- On HD-SDI out, the last two digits of the user bits contain the Variflag, therefore the last two user bits cannot be set by the user.
- User bits are not stored in user setup files. When loading a user setup file, they are reset to 00:00:00:00.
- Check user bits after changing the sensor mode.

13.1.4.2 INFO

STATUS Info

The STATUS INFO screen displays information about the current state of the camera system. System state: Good means that all components in the ALEXA are functioning normally. Other messages can contain error messages prefixed with *E:*, or warnings prefixed with *W:*. For more information about error messages and warnings, see "Warning and Error Messages" in the Appendix.

Press the *SAVE TO SD* button to save a system log to the SD card. This may take up to one minute.

NOTICE

It is only necessary to save a system log if the camera experiences multiple error messages or other abnormal behavior. The system log is not a human-readable file and should be sent to an ARRI Camera Service center for analysis.



VERSION Info

Cam serial no.	The serial number of the camera.
----------------	----------------------------------

Cam ID	Translation of the camera serial number to Base36, with an additional prefix for 3D applications. This encoding of the serial number has been chosen so it can be part of each filename while using the fewest number of characters.
Firmware	Version number of the currently installed camera Software Update Packet (SUP).
EVF serial no.	The serial number of the Electronic Viewfinder EVF-1 attached to the camera.
EVF firmware	Version number of the Electronic Viewfinder EVF-1 firmware.

LIVE INFO	VERSION	MEDIA INFO
Cam serial no.		2010
Cam ID		1JL
Firmware	SXT_1.0:35937	
EVF serial no.		16
EVF firmware		1.27
SYSTEM		FPS INFO

Fig. 33: VERSION info screen

MEDIA Info

Int. Rec. Mode	Current mode for internal recording.
Adapter type	Type of the inserted storage adapter
Status	Current status of internal media.
Free capacity	Free storage space displayed as a percentage.
Max. fps current	Maximum frame rate with current codec.
Size	Total available storage space on media
Firmware version	Firmware version of the media

LIVE INFO	VERSION	MEDIA INFO
Int. Rec. Mode		ProRes 4444 XQ
Adapter type		SXR Drive
Status		STBY
Free capacity		87%
Max. fps current		120fps
Size		510GB
Firmware version		MRV5.2DB
SYSTEM		FPS INFO

SYSTEM Info

Time/Date	Current date and time. To set the date and time, press the <i>MENU</i> button, select <i>SYSTEM</i> and select <i>DATE/TIME</i> .
Fan speed	Speed of the camera's cooling fan in rotations per minute.
Sensor mode	Shows the active sensor mode: 16:9, 4:3, 6:5, or Open Gate.
Sensor temperature	Current temperature of image sensor. Target is 35°C in standard mode, 40°C in high humidity mode.
IP address	IP address of the camera's Ethernet port.
Operating time	Shows the total operating time of the camera in hours (since first installation of SUP 4.0 or higher)

LIVE INFO	VERSION	MEDIA INFO
Time/Date	13:02:07 / 2013-02-20	
Fan speed	1350 rpm	
Sensor mode	16:9	
Sensor temperature	35.0°C	
IP address	169.254.1.24	
Operating time	2 h	
SYSTEM		FPS INFO

Fig. 34: SYSTEM info screen

FPS Info

The FPS Info screen displays an overview of the current frame rates set in the camera and the maximum frame rate possible on the media loaded in the camera at the current settings.

Sensor fps	Frames per second generated by the sensor
Project fps	Time base the camera will use for counting timecode and the frame rate used for on-camera playback of internally recorded clips
MON OUT 1 frame rate	Frame rate output over the MON OUT 1 HD-SDI
MON OUT 2/3 frame rate	Frame rate output over the MON OUT 2/3 HD-SDI
Media max. fps current	Maximum frame rate the loaded media can record at the current codec.

LIVE INFO	VERSION	MEDIA INFO
Sensor fps		23.976 fps
Project fps		23.976 fps
MON OUT 1 frame rate		23.976 fps
MON OUT 2/3 frame rate		23.976 fps

Media max. fps current		120 fps

SYSTEM	FPS INFO
--------	----------

Fig. 35: FPS INFO screen

13.1.4.3 USER

Press the *USER* button to open the *USER BUTTONS* screen. There are six assignable user buttons. *Buttons 1, 2 and 3* are shared with *User Buttons 1, 2, and 3* in the operator controls. Press the jogwheel to see a complete list of user button options.

1	2	3
MON OUT 1 surround On	MON OUT 1 processing Look	EVF processing Look
USER BUTTONS (press jogwheel to edit)		
Not avail. Format media	False color index	None
4	5	6

Fig. 36: USER BUTTONS screen

Assign functions to the buttons by using the jogwheel.

1	2	3
Button 1	MON OUT 1 surround	
Button 2	MON OUT 1 processing	
Button 3	EVF processing	
Button 4	Format media	
Button 5	False color index	
Button 6	None	
4	5	6

Fig. 37: Edit User Button assignment

The following table lists all available functions and if they can be assigned to user buttons 1-3 (identical for on-screen and buttons on camera-left side), 4-6, or both:

None	button has no function	X	X
MON OUT 1 surround	toggles surround view of the MON OUT 1 on or off	X	X

None	button has no function	X	X
MON OUT 1 processing	toggles processing of MON OUT 1 between Log C, Look, and ALEXA Classic 709	X	X
MON OUT 1 frame lines	toggles frame lines on the MON OUT 1 on or off	X	X
MON OUT 1 status info	toggles status info on the MON OUT 1 on or off	X	X
MON OUT 1 false color	toggles false color display on MON OUT 1 on or off	X	X
MON OUT 1 peaking	toggles peaking on MON OUT 1 on or off	X	X
MON 1 desqueeze	toggles anamorphic desqueeze options on MON OUT 1	X	X
MON OUT 2 surround	toggles surround view of the MON OUT 2 on or off	X	X
MON OUT 2 processing	toggles processing of MON OUT 2 between Log C, Look, and ALEXA Classic 709	X	X
MON OUT 2 frame lines	toggles frame lines on the MON OUT 2 on or off	X	X
MON OUT 2 status info	toggles status info on the MON OUT 2 on or off	X	X
MON OUT 2 false color	toggles false color display on MON OUT 2 on or off	X	X
MON OUT 2 peaking	toggles peaking on MON OUT 2 on or off	X	X
MON 2 desqueeze	toggles anamorphic desqueeze options on MON OUT 2	X	X
MON OUT 3 surround	toggles surround view of the MON OUT 3 on or off	X	X
MON OUT 3 processing	toggles processing of MON OUT 3 between Log C, Look, and ALEXA Classic 709	X	X
MON OUT 3 frame lines	toggles frame lines on the MON OUT 3 on or off	X	X
MON OUT 3 status info	toggles status info on the MON OUT 3 on or off	X	X

None	button has no function	X	X
MON OUT 3 false color	toggles false color display on MON OUT 3 on or off	X	X
MON OUT 3 peaking	toggles peaking on MON OUT 3 on or off	X	X
MON 3 desqueeze	toggles anamorphic desqueeze options on MON OUT 3	X	X
EVF surround ¹	toggles surround view on the EVF image on or off	X	
EVF processing ¹	toggles processing of the EVF between Log C, Look, and ALEXA Classic 709	X	
EVF frame lines ¹	toggles frame lines on the EVF image on or off	X	
EVF status info ¹	toggles status info on the EVF image on or off	X	
EVF zoom ¹	toggles the zoom function on the EVF	X	
EVF false color ¹	toggles false color display on the EVF on or off	X	
EVF peaking ¹	toggles peaking on the EVF on or off	X	
EVF desqueeze ¹	toggles anamorphic desqueeze options on EVF	X	
Frame lines color	toggles the color of frame lines between White, Red, Green, Blue, Yellow and Black	X	X
Return in active	toggles the RET IN signal on or off on the EVF and MON OUT as set <i>Scaling of RET IN signal may differ slightly depending on sensor mode and sensor frame rate</i>	X	X
Phase sensor	temporarily shifts the sensor frame rate for 0.2 fps as long as the user button is pressed in order to adjust the phase of the ALEXA frame rate to an external device, i.e. a CRT monitor or a rear screen projector. <i>Only available in standby and with timecode in rec run</i>	X	X
Color bars	activates color bars on MON OUT 1/2/3	X	X

None	button has no function	X	X
Grab still frame	takes a still frame and saves it to the SD card	X	
Check last clip start	plays the first 5 seconds of the last clip, then returns to a live image	X	
Check last clip end	plays the last 5 seconds of the last clip, then returns to a live image	X	
Circle clip	marks the clip as a good take <i>Only available during recording</i>	X	
Auto WB	Press once to open the AUTO WB screen. Press again to perform an automatic white balance.	X	
Grab GUI	takes a still image of the current main camera control screen on the LCD and saves it to the SD card as a .png file in the <i>ScreenCaptures</i> folder	X	
Format media	quick link to the <i>Format media</i> screen		X
False color index	displays the FALSE COLOR INDEX screen		X
Mirror shutter	toggles the mirror shutter between View position, Gate position, and running <i>Only on ALEXA SXT Studio</i>		X

¹ only available with EVF attached

13.1.4.4 PLAY

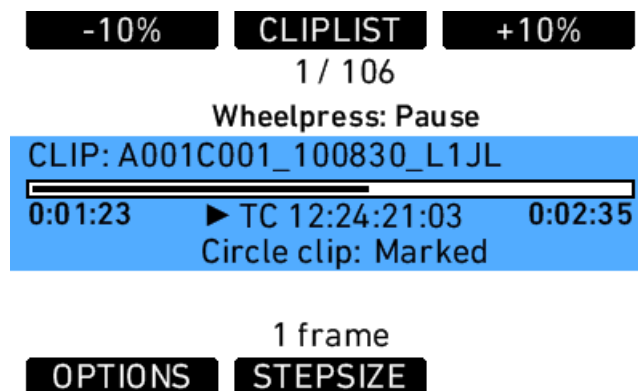


Fig. 38: PLAY screen

Clips that have been recorded internally can be played back by the camera on the EVF and all MON OUTs.

To play clips that have been recorded internally:

1. Press the *PLAY* button.
2. On the *PLAY* screen, the last recorded clip loads. Press the jogwheel to play the clip.
3. Press the jogwheel to pause the clip.
4. Rotate the jogwheel to advance the clip frame by frame, or in one second steps. Press the *STEPSIZE* button to toggle between seconds and frames.
5. Press the *+10%* and *-10%* buttons to advance or rewind the clip by ten percent of its duration.
6. Press the *HOME* button or *BACK* button to exit and output a live image over the output paths.

NOTICE

- Do not eject media during playback.
- Using frame grab during playback with no SD card or write-protected SD card inserted will exit playback.
- Recorded clips do not contain the surround view portion of the EVF-1 or MON OUT 1/2/3 image. When playing back clips, the surround view portion will not be visible.
- Playback of ARRIRAW footage may show a thin black border around the image that is not part of the recorded material.

PLAY screen buttons

STEPSIZE	Toggle the scrub step size between one frame and one second.
+10%	Advance the current clip by ten percent of the clip duration. <i>Does not work when close to the end of a clip.</i>
-10%	Rewind the current clip by ten percent of the clip duration. <i>Does not work when close to the beginning of a clip.</i>

The jogwheel can be used to scrub through the paused clip. The scrub stepsize is shown in the lower middle section of the screen.

Additional *PLAY* screen information:

- clip name
- playback progress bar with current playback position in time and total clip duration
- playback timecode
- information whether the clip was marked as circle clip during recording

OPTIONS

The *OPTIONS* screen button opens a list of general playback options.

Clip end action	Determines what happens when the end of a clip is reached. Options are Pause and Loop.
Show frame lines	Sets frame lines to On or Off during playback. Center mark is always switched off during playback.
Status info on MON OUT 1/2/3	Sets status info overlays on MON OUT during playback to On or Off.

Peaking on MON OUT 1/2/3	Determines whether peaking is applied to played back clips on MON OUT. Unless needed to check focus, we recommend to leave this option off as it can confuse others into thinking the peaking indication is a recorded image artifact.
Peaking on EVF	Determines whether peaking is applied to played back clips on EVF. Unless needed to check focus, we recommend to leave this option off as it can confuse others into thinking the peaking indication is a recorded image artifact.

CLIPLIST

Press the *CLIPLIST* button to open the CLIPLIST screen and access all the clips recorded internally.

To play a clip from the cliplist:

1. Press the *CLIPLIST* button.
2. Use the jogwheel to select a clip.
3. Press the jogwheel to load the selected clip.
4. Press the jogwheel to play the selected clip.

Additional CLIPLIST screen information:

- number of selected and total number of clips on the media
- codec of selected clip
- duration of selected clip
- circled or not

CLIPLIST

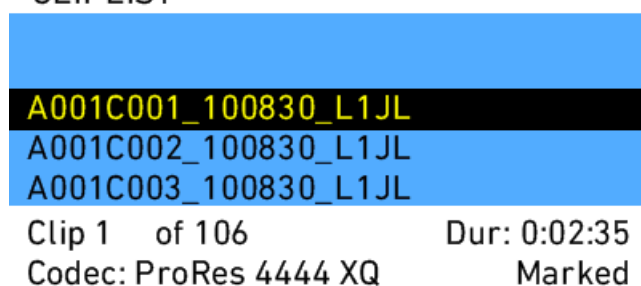


Fig. 39: CLIPLIST screen

NOTICE

Not all clip formats can be played back in all camera modes. If a clip cannot be played back in the current camera mode, it appears grayed out. Switch the camera to the mode that was used for shooting to play back those clips.

When a clip with audio tracks is selected for playback, the audio tracks will be played back as well. In-camera playback may render a short audio distortion at the beginning or end of the clip, which is not part of the recorded audio tracks.

Playback and ARRI Look File 2 files

During playback, the camera makes a distinction between clips recorded in ARRIRAW, Log C, or Look processing.

When a clip recorded in ARRIRAW or Log C is played back and an output is configured for Look processing, the look will be applied to this output. Please note that this is the currently enabled ARRI Look File 2, as the camera does not take into account which ARRI Look File 2 was active when the clip was recorded. It is the responsibility of the user to make sure the correct ARRI Look File 2 is applied during playback.

When a clip recorded with Look processing is played back, no ARRI Look File 2 will be applied by the camera during playback. For the duration of that clip, ARRI Look File 2 files will be disabled.

13.1.5 Menu

The menu contains parameters for basic camera setup. It has a tree structure and the current path in the menu is displayed across the top of every screen.

Press the *MENU* button to open the MENU screen. There are six submenus in the main menu for setting up the ALEXA:

- Recording
- Monitoring
- Project
- System
- Frame grabs
- User setups

Links to submenus can be identified by an arrow bracket character on the right side. To access a submenu, select the submenu link and press the jogwheel to open the submenu. Press the *BACK* button to step back one menu.

Menus also contain parameters with a user choice of values. The parameter name is displayed on the left side of the menu, and the current value is displayed on the right side of the menu. To choose a different parameter value, select it with the jogwheel and press the jogwheel to choose a different value. Press the *BACK* button to cancel a choice. When a parameter is displayed in gray, it cannot be chosen with current camera settings.

Press the *HOME* button from any menu or submenu to return to the HOME screen.

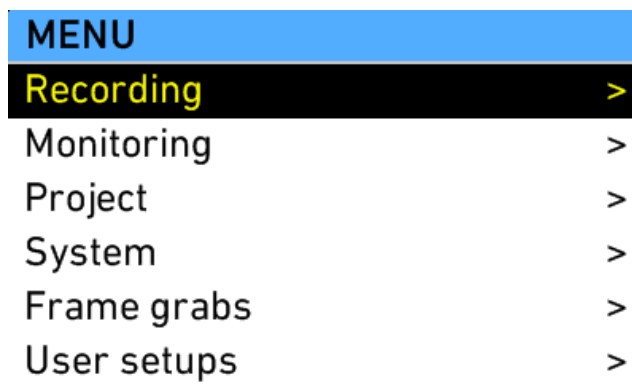


Fig. 40: MENU screen

13.1.5.1 Recording

Select the RECORDING submenu to adjust parameters for internal recording.

NOTICE

Whenever **SxS PRO** is mentioned, this applies to **SxS PRO+** likewise, unless **SxS PRO+** is mentioned explicitly.

MENU>RECORDING	
Format	ProRes
Setting	ProRes 4444 XQ
Resolution	2K
Prerecord	Off>
Quick format Capture Drive	>

Format	<p>Select for recording options:</p> <ul style="list-style-type: none"> • ProRes™ • ARRIRAW <p>Switching between recording modes takes approximately 20 seconds.</p>
Setting	<p>Select to set the codec:</p> <p>ProRes 422, ProRes 422 HQ, ProRes 4444, ProRes 4444 XQ</p>
Resolution	<p>Select to set the resolution.</p> <p>See the tables below for available resolutions.</p>
Prerecord	<p>Select to set prerecording options.</p> <p><i>Note: Only available in ProRes mode.</i></p>
Quick format Capture Drive/SxS CARD <i>For Capture Drives only available in ARRIRAW recording</i>	<p>Select to format a SXR/XR Capture Drive or SxS PRO card. To complete the action, press both <i>FORMAT</i> buttons on the confirmation prompt. A quick format erases only the file allocation table.</p>
Erase Capture Drive/SxS CARD/CFast 2.0 CARD <i>For Capture Drives only available in ProRes recording</i>	<p>Select to erase a SXR/XR Capture Drive, CFast 2.0 card, or SxS PRO card. To complete the action, press both <i>ERASE</i> buttons on the confirmation prompt. This action takes longer than the quick format, but ensures that all data on the card is erased. Erasing an SxS PRO card can increase its write speed.</p>

NOTICE

- Power loss during formatting of media, especially CFast 2.0 cards, may lead to irreversible damage to the media! Please ensure steady power supply before starting formatting.
- Before formatting or erasing an **SxS PRO** card, make sure the write-protect tab on the back edge of the **SxS PRO** card is disengaged. Do not engage or disengage the write-protect tab while the card is loaded in the **SxS** slot.
- Formatting or erasing media removes all data irreversibly. Follow data management best practices to prevent loss of data.
- In a production with ALEXA XT and SXT cameras, to ensure that all data is removed securely, always format or erase XR Capture Drives with an ALEXA SXT.

If media without a valid file system is loaded in the camera, you will be prompted to format the media. ARRI recommends immediate formatting of media that trigger this warning.

Apple ProRes™ codecs and resolutions

Apple ProRes™ codecs supported by the ALEXA:

- ProRes 422
- ProRes 422 HQ
- ProRes 4444¹
- ProRes 4444 XQ¹

¹ Without alpha channel (444 only)

ProRes 422 and ProRes 422 HQ have a bit depth of 10, ProRes 4444 and ProRes 4444 XQ have a bit depth of 12.

The following recording resolutions are supported with Apple ProRes™ recording:

Sensor Mode	Resolution
16:9	HD (1920 x 1080)
	2K (2048 x 1152)
	3.2K (3200 x 1800)
	4K UHD (3840 x 2160)
6:5	2K Anamorphic (2048 x 858)
	4K Cine Anamorphic (4096 x 1716)
4:3	2.8K (2880 x 2160)
Open Gate	3.4K (3424 x 2202)
	4K Cine (4096 x 2636)

ARRIRAW

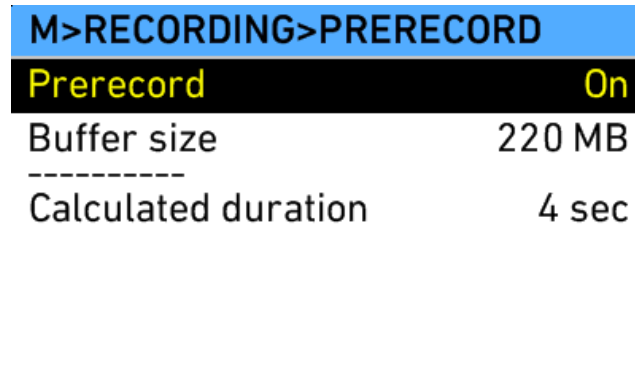
ARRIRAW recording is possible with SXR Capture Drives and XR Capture Drives. Note that Codex Transfer Drives cannot be used for recording.

The following recording resolutions are supported with ARRIRAW recording:

Sensor Mode	Resolution
16:9	2.8K (2880 x 1620)
	3.2K (3168 x 1782)
6:5	2.6K (2578 x 2160)
4:3	2.8K (2880 x 2160)
Open Gate	3.4K (3424 x 2202)

Prerecording

Prerecording is available when the camera is configured for ProRes™ recording. Select PRERECORDING to adjust prerecording parameters.



Prerecord	Select to toggle prerecording mode On or Off
Buffer size	Select to set the buffer size. Following buffer sizes are available: <ul style="list-style-type: none"> • 220 MB • 660 MB • 1100 MB
Calculated duration	Shows the prerecording duration that is derived from buffer size, codec and current fps.

When prerecording is enabled, press the record button once to start prerecording. Active prerecording is indicated by a yellow PRE in the status overlays on EVF and MON OUT (if enabled) and on the HOME screen. As long as prerecording is running, the ALEXA writes images, audio and metadata into a ring buffer of the duration shown under Calculated duration. During this time, the clip duration increments. When the buffer has filled up, the clip duration stops incrementing and the oldest data in the buffer gets overwritten. This process continues as long as prerecording is running. Note that the remaining time will continue to decrease for some seconds after the clip duration has stopped incrementing (i.e. the buffer has filled up). This additional space on the media is reused once recording is started.

Press the record button a second time to start regular recording. All data that has been gathered during prerecording is prepended to the clip.

Press the record button again to bring the ALEXA back into standby.

NOTICE

- The calculated duration depends on buffer size, codec and currently set framerate. Changing either of them will change the prerecording duration.
- If the beeper mode has been set to Start or Start+Stop, the ALEXA beeps only on prerecording start, but not when going from prerecording to recording, otherwise the beep would be recorded when audio is enabled.

13.1.5.2 Monitoring

Select the Monitoring submenu to adjust parameters for monitoring on the EVF-1 and the MON OUT 1/2/3 output. These outputs are meant for monitoring and not recording.

Frame lines set in the Frame lines submenu apply to both MON OUT 1/2/3 and EVF-1. Select the Electronic viewfinder and MON OUT 1/2/3 submenus to switch the set frame lines on or off individually.

MENU>MONITORING	
Electronic viewfinder	>
MON OUT 1	>
MON OUT 2	>
MON OUT 3	>
Frame lines	>
RET IN	>

Electronic viewfinder	Select to adjust EVF-1 settings.
MON OUT 1/2/3	Select to adjust MON OUT 1/2/3 settings.
Frame lines	Select to set up frame lines.
RET IN path	Select to set which of the monitoring output paths carries the signal at the RET IN connector as Return in active is toggled via a <i>USER</i> button.
Electronic horizon sensitivity	Select to adjust the sensitivity of the electronic horizon. <i>Note: Available on ALEXA SXT Plus, ALEXA SXT W, and ALEXA SXT Studio only</i>
False color index	Select to open the FALSE COLOR INDEX screen which has a reference chart explaining the false color coding.
False color mode	Select to set the false color mode to monitoring-based or Log C-based. <ul style="list-style-type: none"> • <i>Monitoring-based</i>: When false color is activated, it is applied to the video signal as it is configured for the respective monitoring output (behavior as of pre-SUP 2.0) • <i>Log C-based</i>: When false color is activated, the respective monitoring output is switched to Log C and false color is applied to the Log C signal.

Note: When activating RET IN with status info on, status info will stay active and partially overlay the RET IN image. Left, right, top and bottom edges of the RET IN image are cropped on MON OUT 1/2/3. On EVF, only left and right edges are cropped. Set status info off to view the full RET IN image.

Electronic Viewfinder

MENU>MONITORING>EVF	
Brightness	4
Rotate image	Off
Smooth mode	Off
Surround view	On
Frame lines + status info	>
Peaking	Off>

Brightness	Select to adjust the brightness of the EVF.
Rotate image	When mounting the EVF to the right side of the camera, the image can be flipped to orient the image correctly in the viewfinder. Affects only the EVF image, MON OUT 1/2/3 and recording images are not rotated.
Smooth mode	Select to set Smooth mode On or Off. With smooth mode on, the EVF image shutters less when panning. The effect is only noticeable with sensor frame rates of 15 fps or above. Slightly reduces the image brightness in the EVF. <i>Note: Smooth mode is only possible with frame rates up to 30 fps and shutter angles of 180.0 or less. If smooth mode is switched on but not available, the camera issues a warning.</i> <i>Note: Has no effect on ALEXA SXT Studio with optical viewfinder attached.</i>
Surround view	Select to set Surround view on the EVF-1 On or Off. When set to on, the additional pixels outside the recorded image area on the ALEXA's ALEV III sensor are displayed, allowing the operator to see outside the recorded image and keep unwanted objects, such as microphone booms, out of the shot. To view only the recorded image, set Surround view to off.
Frame lines + status info	Select to set frame lines, surround mask, center mark and status info overlays to On or Off in the EVF.
Peaking	Select to set peaking in the EVF to On or Off, and the strength of peaking to low, medium or high.
Anamorphic desqueeze	Select to set Anamorphic desqueeze to 1.3x, 2.0x and 2.0xmag. The desqueeze corrects the image for 1.3x and 2.0x anamorphic lenses. With 2.0x lenses, the user can choose between viewing the full sensor image (2.0x), or only the relevant image area (2.0xmag) where left and right sides of the EVF-1 image outside the 2.39 aspect area are cropped. <i>Not available in 6:5 2K Cine De-squeeze and 6:5 4K Cine De-squeeze</i>

View squeezed image	Select to view the squeezed image as it is captured by the sensor, bypassing the desqueeze performed for recording. <i>Only available in 6:5 2K Cine De-squeezed and 6:5 4K Cine De-squeezed</i>
Zoom position	Select to set the Zoom position to Centered or Eye level. Press the ZOOM button on the EVF-1 to magnify: <ul style="list-style-type: none"> Centered – the center of the image is magnified for focus check Eye level – the image is magnified for focus check along a line approximately one third from the top, where an actor's eyes are commonly located in image composition.

Frame lines + status info screen

Frame lines	Select to set frame lines to On or Off. Frame lines are a reference for framing that typically consist of an image frame, a center mark and an aspect ratio reference. See the appendix for more information on the ALEXA frame line format.
Surround mask	Select to adjust the Surround mask settings. If surround view is set to "On", it must be separated from the recorded image area to allow proper framing. Users can choose: <ul style="list-style-type: none"> Black line Color line Mask 25% Mask 50% Mask 100%
Center mark	Select to set the Center mark to Off, Small Dot, Medium Dot or Cross to aid in image framing.
Status info brightness	Select to adjust the brightness of the status info overlays.
Status info	Select to set Status info to On or Off. When set to On, camera shooting parameters are displayed across the top of the EVF-1's image, outside the active image area and camera status information is displayed across the bottom of the EVF-1's image, outside the active image area.
Electronic horizon	Select to set the electronic horizon level to On or Off. <i>Only available on ALEXA SXT Plus, ALEXA SXT W, and ALEXA SXT Studio.</i> <i>Brightness is controlled via frame line intensity.</i>
LDS info	Overlay showing LDS lens info.

MON OUT 1/2/3

MENU>MONITORING>MON OUT 1	
Frame rate	24 fps
Scan format	p
Surround view	Off
Frame lines + status info	>
Peaking	Off>
False color	Off

MON OUT 1, 2 and 3 are 422 1.5G single link HD-SDI outputs. The output range is fixed at legal range. MON OUT 1, 2 and 3 offer the same set of parameters, hence only MON OUT 1 is described in detail.

Frame rate	Select to set the MON OUT frame rate to 23.976, 24, 25, 29.97 or 30 fps. The frame rate should, if possible, match the sensor frame rate to avoid dropped frames or duplicate frames on the output, which would result in jittery images during camera movement or when image subjects are moving. MON OUT 3 frame rate cannot be set individually, but inherits MON OUT 2 frame rate.
Scan format	Select to set the type of scan. Which type you use depends on the downstream equipment the MON OUT is connected to. Some monitors, video transmitters or switchers are happier with the p, others with the psf setting. <ul style="list-style-type: none"> • p: Progressive. Images are transmitted line by line from left to right, starting at the top-left pixel. • psf: Progressive segmented frame. Images are first split into fields, which are then transmitted line by line from left to right.
Surround view	Select to set Surround view on the MON OUT On or Off. When set to on, the additional pixels outside the recorded image area on the ALEXA's ALEV III sensor are displayed, allowing the operator to see outside the recorded image and keep unwanted objects, such as microphone booms, out of the shot. To view only the recorded image, set Surround view to off.
Frame lines + status info	Select to set frame lines, surround mask, center mark and status info overlays to On or Off on the MON OUT.
Peaking	Select to set peaking on the MON OUT to On or Off, and the strength of peaking to low, medium or high.
False color	Select to activate the false color display on the MON OUT. The false color display is an exposure tool that overlays the image with color coding to highlight areas with significant luminance values.

Anamorphic desqueeze	Select to set Anamorphic desqueeze to 1.3x, 2.0x and 2.0xmag. Desqueeze corrects the image for 1.3x and 2.0x anamorphic lenses. With 2.0x lenses, the user can choose between viewing the full sensor image (2.0x), or only the relevant image area (2.0xmag) where left and right sides of the MON OUT image outside the 2.39 aspect area are cropped. <i>Not available in 6:5 2K Cine De-squeezed and 6:5 4K Cine De-squeezed</i>
View squeezed image	Select to view the squeezed image as it is captured by the sensor, bypassing the desqueeze performed for recording. <i>Only available in 6:5 2K Cine De-squeezed and 6:5 4K Cine De-squeezed</i>

NOTICE

Only use double shielded HD-SDI cables for monitoring to ensure error free data transmission!

Frame lines + status info screen

Frame lines	Select to set frame lines to On or Off. Frame lines are a reference for framing that typically consist of an image frame, a center mark and an aspect ratio reference. See the appendix for more information on the ALEXA frame line format.
Surround mask	Select to adjust the Surround mask settings. If surround view is set to "On", it must be separated from the recorded image area to allow proper framing. Users can choose: <ul style="list-style-type: none"> • Black line • Color line • Mask 25% • Mask 50% • Mask 100%
Center mark	Select to set the Center mark to Off, Small Dot, Medium Dot or Cross to aid in image framing.
Status info brightness	Select to adjust the brightness of the status info overlays.
Status info	Select to set Status info to On or Off. When set to On, camera shooting parameters are displayed across the top of the MON OUT image, outside the active image area and camera status information is displayed across the bottom of the MON OUT image, outside the active image area.
Electronic horizon	Select to set the electronic horizon level to On or Off. <i>Only available on ALEXA SXT Plus, ALEXA SXT W, and ALEXA SXT Studio.</i> <i>Brightness is controlled via frame line intensity.</i>
LDS info	Select to set the LDS lens information overlay to On or Off.

Camera index letter	Select to display the camera index letter in the top right corner of the MON OUT image.
---------------------	---

Frame Lines

M>MONITORING>FRAME LINES	
Frame line 1	ARRI 1.85>
Frame line 2	>
User rectangles	Off>
Color	Red
Intensity	2

Frame lines are an image overlay that can be applied to either the EVF image, the MON OUT image, or both.

ALEXA frame lines are stored as XML files that define the frame lines' aspect ratio, marker style, line width, center marker and more. The color of the frame lines is set on the camera or can be defined within the file.

A standard set of frame lines for different aspect ratios is provided in the camera, including:

- 1.33:1 (ARRI 1.33)
- 1.66:1 (ARRI 1.66)
- 1.78:1 (ARRI 1.78)
- 1.85:1 (ARRI 1.85)
- 2.39:1 (ARRI 2.39 Flat)
- 2.39:1 1.3x anamorphic (ARRI 2.39 Scope 1.3x)
- 2.39:1 2.0x anamorphic (ARRI 2.39 Scope 2x)

To create custom frame lines, use the Frame Line Composer on the ARRI website.

Save the new frame lines as XML files to an SD card formatted on the ALEXA, in the Frame lines folder. The ALEXA supports up to 16 frame line templates.

To load additional frame lines:

1. In the FRAME LINES menu, select Frame line 1 (or Frame line 2).
2. Press the *ADD* button.
3. On the FRAME LINES (SD CARD) screen, use the jogwheel to select the frame line you wish to add.
4. Press the jogwheel to add it to the FRAME LINES list.
5. Using the jogwheel, select the new frame line in the FRAME LINES list.
6. Press the jogwheel to set the new frame line.

Frame line 1	Select to set the primary frame line template.
Frame line 2	Select to set a secondary frame line, if desired.
User rectangles	Select to open the User rectangles menu, where two custom user rectangle overlays can be adjusted.

Color	Select to set the color of the frame lines. In the frame lines definition file, lines can either be given a fixed color, or they can have the color specified as "User". If "User" is chosen for a line, the setting chosen in this menu section is applied to the line.
Intensity	Select to set the intensity of the frame lines. The higher the number, the brighter the frame lines appear.

User rectangles screen

User rectangles	Select to set user rectangles to Off, Rect 1, Rect 2 or Rect 1&2. The ALEXA can display up to two additional rectangles that can be adjusted manually.
Set rect 1	Select to set the shape of rectangle 1. Activate it through User rectangles.
Set rect 2	Select to set the shape of rectangle 2. Activate it through User rectangles.

The currently active border is highlighted in red on all outputs that have frame lines enabled while editing user rectangles. Note that it may take some moments for the highlighting to update when switching between borders.

NOTICE

Default frame lines have "User" specified as color for all content.

Frame Lines Saved in Metadata

The ALEXA records up to six rectangular frame lines from the active frame line files into metadata. This metadata is present in all recording formats and on all HD-SDI outputs. The frame line metadata can be used either for automatic dailies creation or for displaying the frame lines in post.

Automated Dailies Creation

It is possible to load two frame line files simultaneously into the camera for a total of six frame lines displayed in the viewfinder or on MON OUT. In metadata, the frame lines of the first file will be called frame line 1A, frame line 1B and frame line 1C, while the frame lines of the second file will be called frame line 2A, frame line 2B and frame line 2C. Frame line 1A is automatically the master frame line. The master frame line can be used by dailies creation software to automatically frame the dailies. This feature is expected first on the Codex Vault, but other dailies creation software is expected to follow suite.

Frame Lines in Post

The frame line metadata makes the original camera frame lines available during post production for editing, color grading or compositing tools and can be displayed as an overlay in the respective image viewer.

False Color Index

Select False color index to display a reference chart showing the relationship between the color overlays, signal level in percent and descriptions. False color is available on the EVF-1 and over the MON OUT outputs.

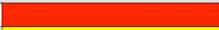





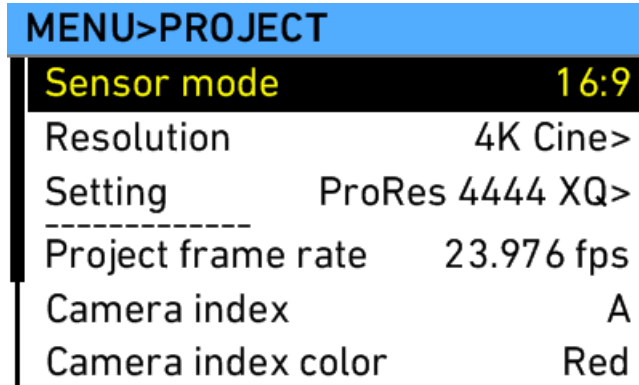
What	Signal Level		Color
White clipping	100% - 99%	red	
Just below white clipping	99% - 97%	Yellow	
One stop over medium gray (Caucasian skin)	56% - 52%	pink	
18% medium gray	42% - 38%	green	
Just above black clipping	4.0% - 2.5%	blue	
Black clipping	2.5% - 0.0%	purple	

Fig. 41: False Color Encoding

13.1.5.3 Project



Sensor mode	Select to set which sensor mode is active: 16:9, 4:3, 6:5, or Open Gate. <i>Note: Changing the sensor mode includes a factory reset.</i>
Resolution	Select to set the current recording resolution. Links to <i>MENU>Recording</i> .
Setting	Select to set the current recording codec. Links to <i>MENU>Recording</i> .
Project frame rate	Select to set the time code timebase and the playback frame rate. The time code timebase determines how many frames the time code counts per second. The playback frame rate determines the frame rate that clips will be played back at.
Camera index	Select to set the camera identifier. Identifies the individual camera unit in clips and is reflected in clip names recorded internally. This is usually "A" for A-camera unit, "B" for B-camera unit, and so on.
Camera index color	Select to set the color of the camera index letter to match the color coding of your cameras. This color is used when the camera index letter is switched on for MON OUT.
Next reel count	Select to set the reel number assigned to the next new media used for internal recording. The ALEXA automatically advances the reel number every time new media is formatted on the camera. The reel number is reflected in clip names on media.

Lens squeeze factor	Select to set the squeeze factor of the lens that is in use. This value is written into the metadata of the clip and allows video players and editing software to automatically unsqueeze clips that have been shot with anamorphic lenses. <i>Note: Fixed to 1.0 for recording resolutions that record de-squeezed images to prevent double de-squeezing.</i>
Production info	Select to open the PRODUCTION INFO screen where the user can enter metadata information specific to the production.

NOTICE

- ARRI recommends to set the value of Next reel count to 001 at the beginning of a shoot.
- When the current reel count is 999, the reel count reverts to 001 for the next media that is formatted.
- When changing the camera index on a card that already contains clips, the clip counter is not reset to 1 but is incremented from the last clip of the last recording.

Production Info

The PRODUCTION INFO screen has fields to enter metadata information specific to the production. The user can enter the names of the director, cinematographer, location, production, scene and take. Two additional fields allow to enter other data.

Production	Enter the name of the production
Prod. Company	Enter the name of the production company
Director	Enter the name of the director
Cinematographer	Enter the name of the cinematographer
Camera Operator	Enter the name of the camera operator
Location	Enter the name of the location
Scene	Enter the name/number of the scene
Take	Enter the name/number of the take
User Info 1	Enter other info
User Info 2	Enter other info

M>PROJECT>PRODUCTION INFO	
Production	ABCD>
Prod. Company	EFGH>
Director	Jane Doe>
Cinematographer	John Doe>
Camera Operator	Jim Doe>
Location	The Shack>

Aa	ERASE	CLEAR ALL
SET DIRECTOR		
J ANE DOE		
A	B C D E F G H I J K L M N O P	
	Q R S T U V W X Y Z	
	1 2 3 4 5 6 7 8 9 0 - _ [] .	
<	>	DONE

13.1.5.4 System

The System menu contains submenus of system settings.

MENU>SYSTEM	
Imaging	>
Power	>
External sync	>
Test signal	>
Display + beeper	>
System time + date	>

Imaging

MENU>SYSTEM>IMAGING	
Sensor mode	16:9
Sensor temperature	Standard
Noise reduction	Off
Image transform	None
User Pixel Masking	>

Sensor mode	Select to set which sensor mode is active: 16:9, 4:3, 6:5, or Open Gate. <i>Note: Changing the sensor mode includes a factory reset.</i>
Sensor temperature	Select to set the sensor temperature to Standard (default) humidity or High humidity. When shooting in tropical conditions with high temperature and high humidity, the sensor temperature can be changed from Standard to High humidity to prevent condensation from forming on the sensor coverglass.
Noise reduction	Select to set noise reduction On or Off. <i>Note: When recording ARRIRAW, noise reduction is only applied to the previewing paths and not to the recorded images. Information about noise reduction is stored in metadata.</i> <i>Note: Using noise reduction may result in slight image artifacts when capturing fast moving objects. As always, use tests to verify applicability.</i>
Image transform	Select to set the desired image transformation. Available values are: <ul style="list-style-type: none"> • None • Mirror horiz. • Rotate 180° <i>Note: Horizontal mirroring is applied on all output paths and internally recorded material. Image rotation is only applied to output paths; internally recorded material is not rotated, but rotation information is written into metadata. Frame grabs of rotated images will be displayed upside down on a computer.</i>
User Pixel Masking	Select to open the User Pixel Masking screen.

User Pixel Masking

MENU>SYSTEM>IMAGING>UPM

User Pixel Mask active Off

User Pixel Mask installed Off

Install User Pixel Mask >

Backup User Pixel Mask

Uninstall User Pixel Mask >

All sensors exhibit a certain number of defect pixels, and ALEXAs have two mechanisms to catch and correct them: one is a static pixel correction based on a pixel mask created during manufacturing, and the other is a dynamic pixel correction that continuously evaluates each frame and masks defect pixels that are not caught by the static pixel mask. In very few cases we have observed some pixels that are not corrected by either method; for those cases we have developed User Pixel Masking.

User Pixel Masking works in combination with the ARRIRAW Converter (ARC) from ARC version 3.0 on.

To use User Pixel Masking for all Output and Recording Formats:

1. Record a short ARRIRAW sequence at 24 fps OR capture an ARRIRAW frame grab.
2. Import the ARRIRAW sequence or frame grab into the ARC.
3. Use the ARC software to mark defect pixels. The marked pixel coordinates are stored in an XML file called the User Pixel Mask. Please note that it is advisable to mark the least number of pixels necessary, as too many marked pixels can be counter productive.
4. Save the User Pixel Mask into the folder /ARRI/ALEXA/Sensor/ on the SD card and load it into the camera via the SD card.
5. After a restart of the camera, the marked pixels will be masked using information from surrounding pixels. This masking happens right after the sensor, and thus applies to all outputs: the electronic viewfinder, MON OUT, and frame grab outputs as well as ARRIRAW and ProRes recordings.
6. Carefully check the end result by visually inspecting the areas where you have marked pixels; if too many pixels are marked too close to each other, or if pixels are marked close to other pixels that are already marked in the static pixel mask, the result could be uncorrectable clusters, which are more visible than the original defect pixels.

As an added service, it is possible to send the User Pixel Mask to ARRI Service at service@arri.de for verification. We strongly recommend to take advantage of this free service, as sometimes, depending on the background, clusters are difficult to spot. Please note, however, that in the end it is the responsibility of the person creating the User Pixel Mask to verify that no clusters are formed.

NOTICE

- When shooting ARRIRAW, it is not necessary to load the User Pixel Mask into the camera. Instead, it can be applied to the ARRIRAW files in post using the ARRIRAW converter software or any third party software that has implemented the User Pixel Mask feature through the ARRIRAW SDK.
- The User Pixel Mask will remain intact during a factory reset and during a software update. It can be manually removed or overwritten with a new one at any time.

User Pixel Mask active	Shows whether a User Pixel Mask is currently active in the camera.
User Pixel Mask installed	Shows whether a User Pixel Mask is currently installed in the camera.
Install User Pixel Mask	Select to install a User Pixel Mask from the SD card.
Backup User Pixel Mask	Select to backup the currently installed User Pixel Mask onto SD card. It will be automatically named UserPixelMask_CAMSERIAL_Backup_YEARMONTHDAY_HOURMINUTESE-COND
Uninstall User Pixel Mask	Select to uninstall a User Pixel Mask.

Power

MENU>SYSTEM>POWER	
BAT1 (Plug) warning	16.0V
BAT2 (Onboard) warning	11.0V

BAT1 (Plug) warning	Select to adjust the voltage level at which a power warning is displayed for the power source connected to the BAT plug. The level can be adjusted to match the battery type used. The default value is 21.0V.
BAT2 (Onboard) warning	Select to adjust the voltage level at which a power warning is displayed for the onboard battery. The level can be adjusted to match the battery type used. The default value is 12.0V.

NOTICE

When the voltage level reaches a point 10% below the warning level set in the POWER menu, the ALEXA displays a battery error message and recording is unavailable. The camera will read the voltage level as insufficient.

Smart batteries that transmit their remaining load to the camera emit a warning at 10% remaining capacity and an error at 5% remaining capacity. Currently, batteries made by ID-X, Bebob, Anton Bauer and any battery using the TI-protocol support this feature.

External Sync

MENU>SYSTEM>EXT SYNC	
Eye index	L
Sensor sync	Off
HD out phase	0 clocks
Send HD sync trigger	>
Settings sync	ETH master

Eye index	Select to set the Eye index to left (L) or right (R). The first letter of the Camera ID will be changed to L or R for stereoscopic productions to identify left and right eye cameras. The eye index is reflected in clip names recorded internally.
-----------	--

Sensor sync	<p>Select to sync the sensors of two ALEXAs. See page 135 for more information.</p> <ul style="list-style-type: none"> • Off: The camera is in non-synced mode for regular use. • EXT master: The camera sends signals to an EXT SLAVE camera via the EXT connector containing sync clock and TC signals. • EXT slave: The camera receives signals from an EXT MASTER camera containing sync clock and TC signals through the EXT connector.
HD out phase	<p>Select to adjust the phase of all MON OUTs in the range of -30 to +30 HD clocks (1 HD clock = 13.4 ns). This can be necessary for 3D applications with external recorders that require the slave signal to arrive after the master signal. Shift the phase backwards (+) on a slave camera or forwards (-) on a master camera to achieve the correct signal order.</p>
Send HD sync trigger	<p>When using two cameras in sensor sync mode without settings sync, the EXT MASTER camera must send a trigger to the EXT SLAVE camera to ensure the HD outputs of the cameras are synced. Press the jogwheel to send the trigger.</p>
Settings sync	<p>ALEXA cameras can be operated in synced-settings mode, where the settings of two cameras can be synced via Ethernet. See page 137 for more information.</p>

Unless a phase offset is required by certain monitoring equipment, generally there will be no need to adjust the HD out phase. Use "Send HD sync trigger" to bring the HD output of connected cameras back into sync.

Test Signal

MENU>SYSTEM>TEST SIGNAL	
Color bars	Off
Test tone	Off
Test tone level	0 dBFS

Color bars	<p>Select to activate SMPTE color bars on all MON OUTs. The color bars are a 10-bit signal according to SMPTE RP 219-2002.</p> <p><i>Note: Color bar is switched off when recording is started.</i></p>
------------	---

Test tone	Select to activate a 1 kHz audio test tone on all channels when color bar is active. <i>Note: Test tone is only active when audio recording is on and possible.</i>
Test tone level	Select to set the level of the audio test tone to 0 dBFS, -9 dBFS or -18 dBFS.

Note: Switching on the color bars the first time after camera bootup may take a few seconds.

Display + Beeper

M>SYSTEM>DISPLAY+BEEPER	
Display brightness	3
Button brightness	Off
Run beeper mode	Start+Stop

Display brightness	Select to adjust the brightness of the LCD display on the camera-right side. To adjust the display brightness when the HOME screen is displayed, press and hold the <i>BACK</i> button while rotating the jogwheel.
Button brightness	Select to adjust the brightness of the button illumination.
Run beeper mode	Select to set the Run beeper mode to: <ul style="list-style-type: none"> • Off • Start • Stop • Start+Stop

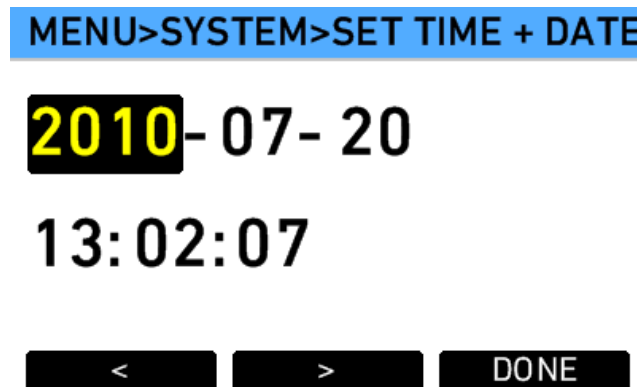
System Time + Date

MENU>SYSTEM>TIME + DATE	
Time	13:02:07
Date	2010-07-20

Set time + date	>
Time zone	UTC -12:00
DST	Standard time

Time	Displays the current time (read-only).
Date	Displays the current date (read-only).
Set time + date	Select to set time and date.
Time zone	Select to set the time zone to match your current location.
DST	Select to set daylight savings time.

Set time + date



Use the lower screen buttons to navigate between the elements in the screen and to finish your setting.

To set the time and date:

1. In the System menu, select System time + date.
2. Select Set time + date.
3. Use the jogwheel to adjust the date value, starting with the year.
4. Press the > button to jump to the month, day, hour, minute and second.
Press the < button to jump back one step.
5. Press the *DONE* button when finished.

Fan mode

Fan mode	<p>Select to set the fan mode to Regular for locations with ambient temperatures up to 30°C (86°F). For locations with ambient temperatures higher than 30°C (86°F), set to Rec low.</p> <p>When the fan is set to Rec Low, it will run at a high rate when the camera is in Standby, and run at a low rate when the camera is recording.</p>
----------	---

Network

MENU>SYSTEM>NETWORK	
Web remote read-only	Off
Camera Access Protocol	On
CAP client name	
CAP password	>

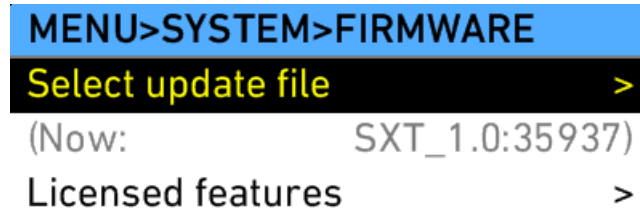
The ALEXA provides two ways for accessing the camera via network: with a web browser using the web remote, or with a third party software supporting the Camera Access Protocol (CAP).

The Camera Access Protocol allows third party software to remotely manipulate the currently active ARRI Look File 2 file. Changes to an ARRI Look File 2 file become immediately effective on all image paths with processing configured to Look file. Third party software can connect to the camera via Ethernet. A list of supported third party software can be found on the ARRI ALEXA SXT web page.

Web remote read-only	Select to restrict network access to read-only mode. When set to Off, the Web Remote will not function properly.
Camera Access Protocol	Select to switch remote access to the camera via the Camera Access Protocol on or off.
CAP client name	Shows the name of the currently connected client. Shows 'NONE' if no client is connected, and 'NO NAME' if the connected client has not transmitted its name.
CAP password	Select to set the password for Camera Access Protocol connections.

SD card

Format + prepare SD card	Select to format the SD card and create the required folder structure after confirmation. <i>Note: This erases all data present on the SD card.</i>
Prepare SD card	Select to create or complete the required folder structure on the SD card without erasing any data present on the SD card.

Firmware - Software Update Packets (SUPs)

To keep the ALEXA up to date with new features, the camera firmware can be updated by the user. Download the latest Software Update Packet (SUP) from http://www.arri.com/camera/digital_cameras and be sure to read the included instructions.

NOTICE

ARRI discourages downgrading cameras to lower SUP versions. Be sure to carefully read the release notes of the currently installed SUP to find out if downgrading is possible, and ask your ARRI service center if in doubt.

To update the camera to a new SUP:

1. Copy the new SUP into the Firmware folder on an SD card formatted in the ALEXA.
2. Load the SD card into the camera.
3. In the System menu, select Firmware.
4. Select Select update file.
5. Select the new SUP from the list on the FIRMWARE (SD CARD) screen.
6. Press both *UPDATE* buttons simultaneously to update the camera's firmware.

NOTICE

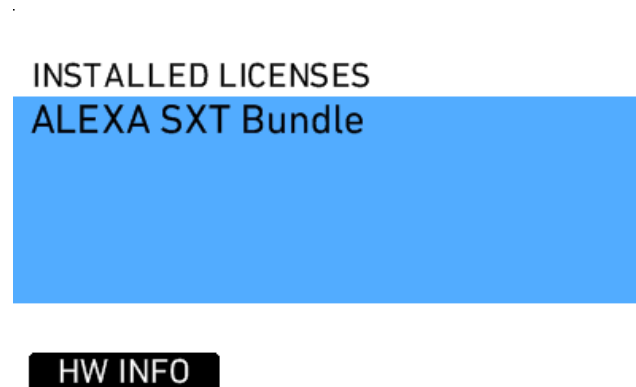
Update duration may differ between camera models. Do not interrupt the update once it has started. Make sure the camera power supply will remain sufficient for the duration of the update (approx. 15 minutes).

Select update file	Select to update the camera's firmware. If an SD card containing update files is loaded in the camera, you can select an update file from the list and perform an update.
Current version	Select to display the release code of current installed firmware.
Licensed features	Select to manage licensed features on the INSTALLED LICENSES screen.

NOTICE

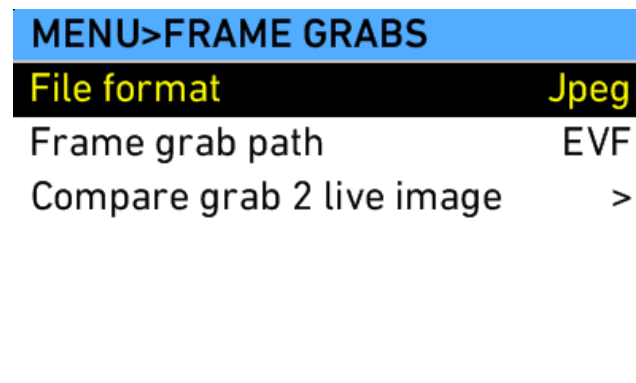
- On rare occasions, the update process can fail. If the update procedure fails, try it again until you succeed.

Licensed Features



The Licensed Features screen shows all installed licenses, and allows to export a HW INFO file. This file contains information about the hardware configuration of the ALEXA and might be requested by ARRI Service for troubleshooting.

13.1.5.5 Frame Grabs



It is possible to take still frames from the camera's sensor. The image path from which still frames are grabbed can be selected. Available still image formats include .jpg, .tif and .dpx when the frame grab path is not RAW, or .ari when the frame grab path is RAW. Note that .tif, .dpx, and .ari still frames have large file sizes and take some time to be copied to the SD card. Use fast SD cards when taking still frames in these formats.

To set the still frame format:

1. In the Frame grabs menu, select File format.
2. Use the jogwheel to select the desired format and press the jogwheel to set it. Unavailable formats are grayed out.

To take a still frame and save it to the SD card:

- ▶ Press the *GRAB* button. The write process is indicated by a flashing camera icon, followed by a flashing SD card icon on the HOME screen. When writing is finished, a new still frame can be taken. The time needed for saving the image to the SD card will vary, depending on the file format. Additional still frames may not be taken while saving.

To take a still frame during playback of ProRes, ensure that the frame grab path is not set to RAW.

Still frames can also be taken by assigning User buttons 1, 2 or 3 to Grab still frame. This allows still frames to be taken from the operator's side of the camera (camera-left side).

Still frames will be saved in the Grabs folder on the SD card.

Frame compare

It is possible to load a previously made frame grab and compare it with the current live image. Select Compare grab 2 live image to go to the COMPARE FILE screen.

Press *LOAD GRAB* to select a frame grab from the SD card for comparison.

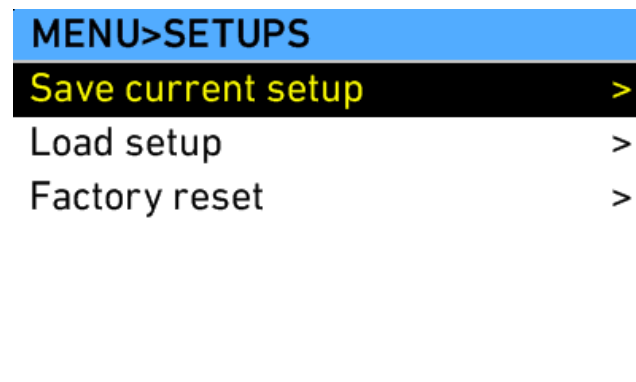
Press *OPTIONS* to access the options for frame compare. The following options are available:

Compare mode	Interleave Toggle
Active on EVF	On/Off
Active on MON OUT 1	On/Off
Active on MON OUT 2	On/Off
Active on MON OUT 3	On/Off

Press *COMPARE* on the COMPARE FILE screen to activate or deactivate frame compare.

When compare mode is set to Interleave, every other line is replaced by content from the loaded file. This is useful for lining up shots, as the frame will flicker until the stored and the live image are perfectly lined up. Otherwise, pressing *COMPARE* completely overlays the loaded image over the live image.

13.1.5.6 User Setups



A user setup is a profile of the current settings on the ALEXA that can be saved to the SD card. User setups can be given custom names, saved to the SD card and loaded onto multiple ALEXAs.

Rather than resetting the camera to its factory default settings, a user setup can be used to reset the camera to a user's default settings.

A user setup contains all parameters set in the camera except files that have been transferred via SD card, specifically frame lines and ARRI Look File 2 files. These are not affected by loading a user setup and are only cleared by performing a factory reset.

Requirements:

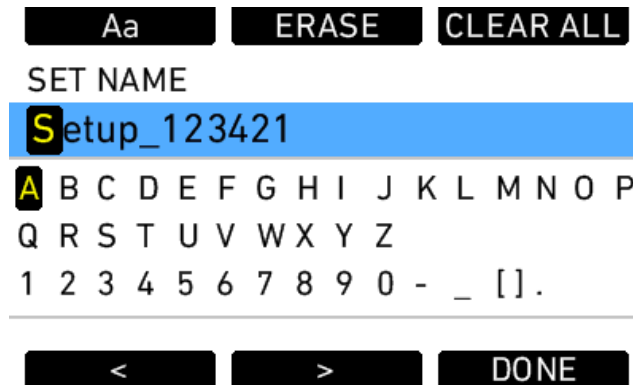
- formatted SD card loaded in the SD card slot on the ALEXA

To create a user setup:

- ▶ Set all the desired parameters on the ALEXA.

To save a user setup:

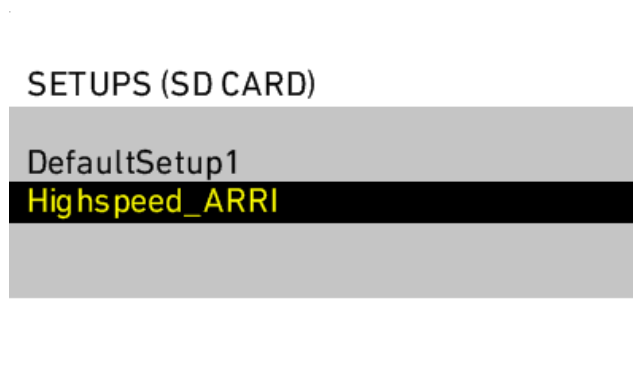
1. Press the *MENU* button.
2. Use the jogwheel to select User Setups.
3. Select Save current setup.
4. To apply a custom name to your user setup, press the *RENAME* button. Erase the default user-setup name by pressing the *CLEAR ALL* button.
5. Use the jogwheel to enter a new name by scrolling to the desired character and pressing to select it.



6. When you have finished entering the new user setup name, press the *DONE* button.
7. Press the jogwheel to save the new user setup to the SD card.

To load a user setup:

1. Press the *MENU* button.
2. Use the jogwheel to select User Setups.
3. Select Load setup.



4. Use the jogwheel to select the desired setup in the list and press the jogwheel to load the setup.
5. Press the *PROJECT* button to validate your project settings.

NOTICE

User setups work only in the SUP version they are created in. After a SUP update, a new user setup must be created and saved.

A recommended procedure for working with user setups is as follows:

1. Before shooting, perform a factory reset to restore factory default settings.
2. Save a user setup named "Reset" or similar. This will be used instead of performing the ALEXA's factory reset.
3. Adjust the camera's shooting parameters and settings, and load the desired frame lines and ARRI Look File 2 files.
4. Save another user setup with a descriptive name, such as "Show Title A-Cam".
5. To reset the camera to the default settings without losing the frame lines or ARRI Look File 2 files, load the "Reset" user setup.

User setups can be used to ensure that cameras on multi-camera shoots have matching settings, or to transfer a show's setup onto daily cameras, to ensure they carry the same shooting specifications.

NOTICE

You cannot switch between sensor modes by loading a user setup. To switch sensor modes, go to the SYSTEM>IMAGING menu or PROJECT menu.

13.2 Operator controls

The operator controls are located on the camera left side and consist of three function buttons plus three assignable buttons.

1	User button 1. Can be assigned functions with the <i>USER</i> button on the Main controls
2	User button 2. Can be assigned functions with the <i>USER</i> button on the Main controls.
3	User button 3. Can be assigned functions with the <i>USER</i> button on the Main controls.
REC	Press the <i>REC</i> button to start and stop internal recording. A red LED tally indicates recording. See section Prerecording for different behavior with prerecording switched on.
PLAY	Press the <i>PLAY</i> button once to load the last clip. Press the <i>PLAY</i> button again to toggle between play and pause. Press and hold the <i>PLAY</i> button for 2 seconds to stop playback.
LOCK	Press and hold the <i>LOCK</i> button for 3 seconds (counted down on the main controls LCD) to lock the main and operator controls. A blue LED beside the <i>LOCK</i> button on the camera-left side indicates the lock is active. A lock icon on the LCD display on the camera-right side indicates the lock is active. Press and hold the <i>LOCK</i> button for 3 seconds to unlock the main and operator controls.

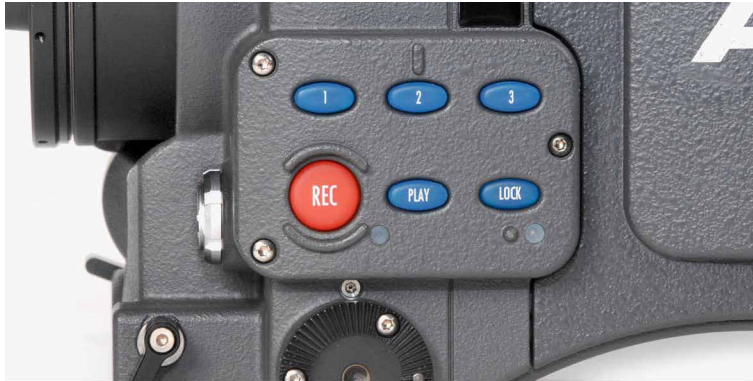


Fig. 42: Operator UI

13.3 EVF-1 Controls

The EVF-1 controls are located on the electronic viewfinder. They consist of a number of function buttons and a jogwheel.

CAM	Press the CAM button to open the EVF-1's CAM menu.
EVF	Press the EVF button to open the EVF-1's EVF menu.
ZOOM	Press the ZOOM button to magnify the EVF-1 image 2.25x for focus check. The magnification ratio is 1:1, or one sensor pixel to one EVF-1 display pixel. Active magnification is indicated by an orange frame around the image. Frame lines are deactivated while zoom is active.
EXP	Press the EXP button (EXP = EXPOSURE) to toggle false color display on and off.



When the *LOCK* button on the main controls is engaged, the *CAM* and *EVF* buttons are locked with the main controls and operator controls. The *ZOOM* and *EXP* buttons are not affected by the lock.

The message "Button is locked!" is displayed in the EVF-1 when the *CAM* or *EVF* button is pressed while the main controls are locked.

13.3.1 Viewfinder EVF menu

Press the *EVF* button to open the Viewfinder EVF menu in the EVF-1 display and set the viewfinder parameters. Use the jogwheel on the EVF-1 to select and set menu options. Press the *EVF* button to exit the Viewfinder EVF menu.

Brightness	Select to set the brightness of the EVF from 1 (least bright) to 5 (brightest). A brightness level of 4 is recommended for normal shooting scenarios.
Rotate image	When mounting the EVF to the right side of the camera, the image can be flipped to orient the image correctly in the viewfinder. Affects only the EVF image, MON OUT and recording images are not rotated.
Smooth mode	Select to set Smooth mode On or Off. With smooth mode on, the EVF image shutters less when panning. <i>Note: Smooth mode is only possible with frame rates up to 30 fps and shutter angles of 180.0 or less. If smooth mode is switched on but not available, the camera issues a warning.</i> <i>Note: Has no effect on ALEXA Studio with optical viewfinder attached.</i>
Surround view	Select to set Surround view on the EVF-1 On or Off. When set to on, the additional pixels outside the recorded image area on the ALEXA's ALEV III sensor are displayed, allowing the operator to see outside the recorded image and keep unwanted objects, such as microphone booms, out of the shot. To view only the recorded image, set Surround view to off.
Surround mask	Select to adjust the Surround mask settings. If surround view is set to On, the boundary between the recorded area and surround view will always be indicated to allow proper framing. Users can choose between: <ul style="list-style-type: none"> • Black line • Color line • Mask 25% • Mask 50% • Mask 100%
Status info	Select to set Status info to On or Off. When set to On, camera shooting parameters are displayed across the top of the EVF-1's image, outside the active image area and camera status information is displayed across the bottom of the EVF-1's image, outside the active image area.
Frame lines	Select to set frame lines to On or Off. Frame lines are a reference for framing that typically consist of an image frame, a center mark and an aspect ratio reference. See the appendix for more information on the ALEXA frame line format.
Select framelines 1	Select to set the main frame lines template from those stored in the camera.
Select framelines 2	Select to set the secondary frame lines template from those stored in the camera.

Center mark	Select to set the Center mark to Off, Small Dot, Medium Dot or Cross to aid in image framing.
User rectangles	Select to display up to two additional user-editable rectangles in the EVF-1 image.
Edit user rectangles	Select to adjust the user rectangles.
Framelines color	Select to set the color of the frame lines.
Framelines intensity	Select to set the brightness of the frame lines.

13.3.2 Viewfinder CAM menu

Press the *CAM* button to open the Viewfinder CAM menu in the EVF-1 display and set camera parameters. Use the jogwheel on the EVF-1 to select and set menu options. Press the *CAM* button to exit the Viewfinder CAM menu.

FPS	Select to set the sensor frame rate. Preconfigured and previously added user-defined values can be selected in the FPS list.
SHUTTER	Select to set the shutter angle. Preconfigured and previously added user-defined values can be selected in the Shutter list.
EI	Select to set the exposure index. Settings from EI 160 to EI 3200 can be selected, in steps of 1/3 stop.
WB	Select to set the white balance. Preconfigured and previously added user-defined values can be selected in the WB list.

13.4 Web Remote

All ALEXA cameras contain a web server that can provide a user interface for remotely controlling the ALEXA.

Connecting to the Camera

The Web Remote can be accessed through an Ethernet connection from the camera's ETH port to a computer's Ethernet port, using the Bonjour protocol or by directly entering the camera's IP address. First, make sure on the camera that MENU>SYSTEM>NETWORK>Web remote ready-only is set to Off. If you want to prevent access to the Web Remote, set MENU>SYSTEM>NETWORK>Web remote ready-only to On. Then connect the cable. To use the Bonjour protocol, open the web browser on the computer and enter the address alexa####.local in the browser's address bar, with #### being the serial number of the camera. Alternatively, you can look up the camera's IP address (INFO > SYSTEM) and enter that in the browser's address bar.

14 Operation of the Camera

This chapter covers tasks the user will encounter while using the ALEXA. While previous chapters contained specific procedures for basic use, this chapter will outline broader tasks and offer recommendations and best practices, including camera configuration.

14.1 Internal recording

This chapter contains information and recommendations for internal recording. The user is encouraged to adapt the recommendations and workflow to individual and production needs.

NOTICE

- ARRI cannot be held responsible for the loss of any data in conjunction with internal recording.
- While we do everything we can to assure reliable functioning of different recording medias such as SXR Capture Drives, and while the mean time before failure (mtbf) for drives is excellent, a failure that results in loss of data may occur at any time. Therefore, you are obliged to implement and maintain at any time adequate and necessary data security measures and back up drive content as soon as possible. ARRI assumes or accepts no liability or responsibility for data loss or data corruption, or any other damages, loss or harm due to malfunction of recording drives.

14.1.1 Recording Module

ALEXA SXT cameras can use SXR Capture Drives, XR Capture Drives, Sony **SxS PRO** cards, Sony **SxS PRO+** cards, or CFast 2.0 cards for internal recording. All media require an adapter specific to their type: SXR Capture Drives require the SXR Adapter, XR Capture Drives require the XR Adapter, **SxS PRO** and **SxS PRO+** cards require the **SxS** Adapter 2, CFast 2.0 cards require the CFast 2.0 Adapter 2. **SxS Pro** cards, **SxS Pro+** cards and CFast 2.0 cards do not allow recording ARRIRAW data.

File System

Depending on the recording format, SXR/XR Capture Drives are initialized with different file systems. SXR/XR Capture Drives can be formatted in-camera or using Codex Software (Mac only) in a Codex Single Dock, Dual Dock (XR Capture Drives only), or the standalone Codex Vault.

When the camera is set to ARRIRAW recording, SXR/XR Capture Drives are initialized as Codex volume. When the camera is set to ProRes recording, SXR/XR Capture Drives are initialized with the UDF file system. In both cases, the file system is read-only for computers.

SxS PRO cards, **SxS PRO Plus** cards and CFast 2.0 cards can only be used for ProRes recording. These cards are always initialized with the UDF file system and have to be formatted in the SXR Module with the **SxS** Adapter 2 or the CFast 2.0 Adapter 2, respectively.

14.1.2 Internal Recording Formats

ALEXA footage can be captured as QuickTime movies using an Apple ProRes™ codec or as unencrypted and uncompressed ARRIRAW file sequences.

NOTICE

Recording ARRIRAW internally works only with SXR/XR Capture Drives.

ProRes

Recording in ProRes 2K is a cost-efficient alternative to shooting ARRIRAW, as it requires less storage space and no processing, but at the same time delivers an image quality that is superior to that of up-scaled HD material.

With the option to capture ProRes 2K in the 4:3 aspect ratio, the format offers true anamorphic capture with regular 2x anamorphic lenses and offers extra room for repositioning when using standard spherical lenses.

ALEXA ProRes 3.2K allows the same easy up-sampling in post to 4K UHD deliverables as Open Gate ARRIRAW does to 4K Cine. These formats, combined with ALEXA's unsurpassed overall image quality, make ALEXA SXT cameras suitable for any type of production with any distribution requirements.

The following resolutions are available with ProRes recording:

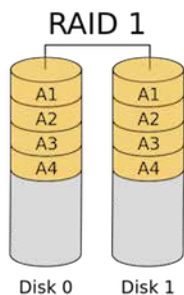
Sensor Mode	Resolution
16:9	HD (1920 x 1080)
	2K (2048 x 1152)
	3.2K (3200 x 1800)
	4K UHD (3840 x 2160)
6:5	2K Anamorphic (2048 x 858)
	4K Cine Anamorphic (4096 x 1716)
4:3	2.8K (2880 x 2160)
Open Gate	3.4K (3424 x 2202)
	4K Cine (4096 x 2636)

ProRes RAID - Redundant Recording on XR and SXR Capture Drives

In ALEXA SXT cameras, ProRes is always recorded with a method (RAID) that provides redundancy for greater data security for both XR and SXR Capture Drives. As with ALEXA XT cameras, half the Capture Drive's capacity can be used to record ProRes, but with the SXT, the other half can be used to increase the safety of the recorded data.

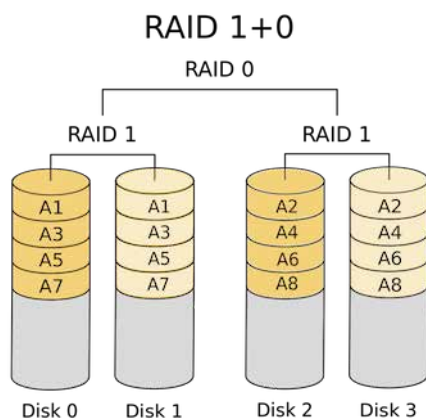
ProRes RAID for XR Capture Drives

When XR Capture Drives are being formatted for ProRes in the ALEXA SXT, they are being formatted as a RAID 1 (mirrored) volume. XR Capture Drives contain two internal SSD drives, and with RAID 1 the same ProRes data is written to each of those two drives.



ProRes RAID for SXR Capture Drives

When SXR Capture Drives are being formatted for ProRes in the ALEXA SXT, essentially the same happens, but since SXR Capture Drives contain four internal SSDs, a combination of RAID 1 (mirroring) and RAID 0 (striping) is used, commonly referred to as RAID 10. Drives zero and one will be combined into one RAID 1 volume and drives two and three into another. This provides redundancy. The resulting two RAID 1 volumes are combined into one RAID 0 volume so it can be accessed as one volume.



Downloading ProRes RAID Data

XR and SXR Capture Drives recorded in ALEXA SXT require Codex Production Suite 4.1 or later for downloading. Codex Production Suite 4.1 or later is included in new SXR Capture Drive Docks, or available free of charge for owners of older docks.

To download ProRes from XR and SXR Capture Drives recorded in ALEXA SXT, the ARRI RAID driver must be installed in the downloading Mac. The ARRI RAID driver is included in Codex Production Suite 4.1, but will not be installed by default. To install, check the "Capture Drive RAID support" box when installing the Codex Production Suite.

The ARRI RAID driver has been tested with Mac OS 10.10 und 10.11.

NOTICE

CAUTION! RAID redundancy is very helpful if data from one of the two internal drives is corrupted or one of the internal drives is damaged. But the XR or SXR Capture Drive still appears as one volume, and if it gets erased accidentally by the user, the data is gone.

CAUTION! While this redundancy is a great new feature, it creates some incompatibilities you should be aware of:

- If an XR or SXR Capture Drive that has been formatted on an ALEXA SXT should be downloaded on a Mac that does not have the ARRI RAID driver installed, the Mac cannot recognize the RAID formatted drive and will ask if this drive should be formatted. Don't format the drive, but install the ARRI RAID driver and try again.
- If an XR Capture Drive that has been formatted for ProRes on an ALEXA XT is then placed into an ALEXA SXT, the ALEXA SXT will not be able to read the drive and will ask if the drive should be formatted.
- If an XR Capture Drive that has been formatted for ProRes on an ALEXA SXT is then placed into an ALEXA XT, the ALEXA XT will only be able to see one of the two internal drives, and will therefore also only be able to format one of the two drives. Data may be left over on the other internal drive from the use in the ALEXA SXT. In order to avoid this, make sure to erase XR Capture Drives by formatting them in the ALEXA SXT or with a Mac at the end of your production.
- Please note that due to the camera's write pattern, there may be gaps in the clips which do not contain valid QuickTime data. These gaps may not be bit-identical on the individual SSDs unless the drives have previously been secure erased using the Codex Vault. This is normal and only relevant in cases where the data has to be restored manually.

Note: When working with ProRes clips without audio, Final Cut Pro 7 may fail during a Consolidate action as it does not recognize the file type correctly. To fix this problem, use the SetFile command line tool on all affected clips as follows: "SetFile -t MooV <clipname>", where <clipname> needs to be replaced with the name of the affected clip. Then relaunch Final Cut and redo the Consolidate action.

ARRIRAW

ARRIRAW data delivers unencrypted, uncompressed and uncompromised image quality from an ALEXA camera. It offers the highest achievable resolution, the camera's natural color response and great exposure latitude as uncompressed and unprocessed sensor data. ARRIRAW images have only one channel. A color reconstruction algorithm calculates the missing components of each pixel based on the type and position of the array of colored filters (Bayer pattern) on the camera sensor.

ARRIRAW de-bayering is available through the ARRIRAW SDK or custom processing, which is implemented in most of the major post production tools for dailies processing and mastering.

The ALEXA sensor provides a horizontal resolution of 2.8K photo cells in 16:9 and 4:3 sensor modes, and 3.4K photo cells in Open Gate sensor mode, from which down or up-sampling routines can produce HD, 2K, 4K UHD or 4K Cine resolution images. For VFX, the images often are processed using the native sensor pixel count and then are up or down-sampled. Using this approach takes advantage of the luminance resolution, which correlates to the sensor pixel count. Up-sampling ALEXA images to 4K UHD or 4K Cine works very well due to ALEXA's excellent image quality.

The following resolutions are available with ARRIRAW recording:

Sensor Mode	Resolution
16:9	2.8K (2880 x 1620)

Sensor Mode	Resolution
	3.2K (3168 x 1782)
6:5	2.6K (2578 x 2160)
4:3	2.8K (2880 x 2160)
Open Gate	3.4K (3424 x 2202)

The camera will automatically calculate a CRC32C checksum for the image data inside each ARRIRAW frame. This checksum is recorded onto the SXR Capture Drive or XR Capture Drive where Codex software uses it to verify the image content during all copying and processing steps. In addition to providing extra security, this also speeds up the copying process.

The checksum is also stored in the ARRIRAW header as metadata (fields 'ImageDataChecksumType' and 'ImageDataChecksum'), making it thus available to third parties. Note that this checksum does not validate the entire .ari file, only the image data itself.

Choosing a Recording Format

The selection of the recording format is a crucial decision which needs to be discussed with the production company and post production. While lower bit rate codecs offer longer recording times, they introduce compression artifacts that greatly limit the creative choices.

ProRes 422	Use for basic television production. Limited options in color correction.
ProRes 422 HQ	Use for high quality TV production. Suitable for creative color correction.
ProRes 4444	Use for high quality TV and cinema production. Very suitable for creative color correction and visual effects work such as pulling mattes.
ProRes 4444 XQ	The ideal choice for productions that are shooting for premium image quality, are looking for extreme color grading and want to preserve the superior tonal range of ALEXA's Log C signal.
ARRIRAW	Use for cinema production, visual effects and high quality TV. Best format for creative color correction and visual effects work. Unencrypted and uncompressed format. Raw data needs to be processed into color images.

Always test the full workflow pipeline with the preferred recording format before shooting.

Media preparation

The typical usage cycle of recording media is:

- 1 Format
- 2 Record
- 3 Copy
- 4 Back up

- 5 Verify data
- 6 Format

Format	Before recording, the drives/cards must be formatted. The camera always performs a blank format, which means that the media contain no metadata and are not assigned a reel number prior to recording the first clip. The camera auto-detects media with an invalid file system and asks the user to format the media. The ALEXA uses the UDF file system for ProRes recording and the Codex file system for ARRIRAW recording. Both file systems are read-only for computer systems, which minimizes the risk of data corruption.
Record	When the <i>REC</i> button is pressed, the camera starts to write a clip to the media. With the first clip, the camera also assigns a reel number. There is more information on file naming later in this chapter.
Copy	After recording is finished, the footage needs to be copied to another device in order to free up the media. The copy process should be verified using checksum calculation to ensure that no errors have occurred.
Backup	The footage should ideally be copied to two physically separate destinations. The first copy should be the "working copy", and the second copy should be the "backup copy". These tasks can be done in parallel, as long as the end result is verified data on two independent devices.
Format	Only when the data has been copied to two independent devices and verified, should the drive/card be formatted to clear all data. We recommend that the person who verifies the primary and back-up copies should also format the media. The camera crew then always receives an empty card and does not need to worry if the footage has already been copied from the drive/card. SxS cards and CFast 2.0 cards can be formatted with any file system, as they have to be reformatted by the camera anyway. SXR Capture Drives and XR Capture Drives can be formatted with the Codex software and do not require to be reformatted in the camera.

NOTICE

SxS PRO cards and CFast 2.0 cards currently cannot be formatted on Mac OS X 10.11 (El Capitan) using the Disk Utility. To format these media, open the Terminal and enter the following command:

```
diskutil eraseVolume HFS+ empty /Volumes/A001R1FM/
```

where **A001R1FM** needs to be replaced with the name of your card.

File Structure for ProRes Recording

After an **SxS** card, CFast 2.0 card, XR Capture Drive, or SXR Capture Drive is formatted for ProRes recording in the camera, it is named ARRI_UDF until the first clip is recorded. Once a clip has been recorded, the name changes to the camera index letter and current reel number, which can be preset in the PROJECT menu. Clips are stored in a folder with the same name as the media.

In addition to the clips, recording writes an XML file and an ALE file.

The XML file is a Final Cut Pro 7 (FCP) XML file. When opened in Final Cut Pro 7, all clips are imported as one bin. If the clips are copied from the card to another destination, the file paths in the XML file have to be adjusted to match the new file location. The XML file is not compatible with FCP X.

The ALE file is an Avid Log Exchange file for Media Composer. It contains all static clip metadata, which is also embedded in each recorded clip.

For more information about ALEXA metadata, please refer to the ALEXA Metadata white paper, available at http://www.arri.com/camera/digital_cameras/downloads.

File Structure for ARRIRAW Recording (Codex VFS)

When an SXR/XR Capture Drive with ARRIRAW footage is loaded on a computer, it shows up like a regular external drive. Operating underneath, however, is the Codex Virtual File System (VFS). The VFS can present, for example, readily processed DPX files, MXF/DNxHD and/or QuickTime/ProRes proxies next to the original ARI files on the Codex volume. Except for the recorded data on the drive, none of these additional files actually exist. It's only when these files are requested, that they are generated, on-demand, and on the fly. Hence the term "virtual".

The file formats, file naming and directory structure that will be presented by the VFS are fully configurable through the Codex Platform software. This makes the VFS a highly flexible tool for providing exactly the material you require, when you want it, without redundant processing and storage overhead on your drives.

The default VFS configuration for the output of only ARRIRAW files uses the following file path:

<Extension>/<Roll>/<Shot>/<Shot>.<TC Frames>.<Extension>

For detailed instructions on the Virtual File System configuration, please visit <http://www.codexdigital.com/support/media-stations> and download the Codex VFS Guide.

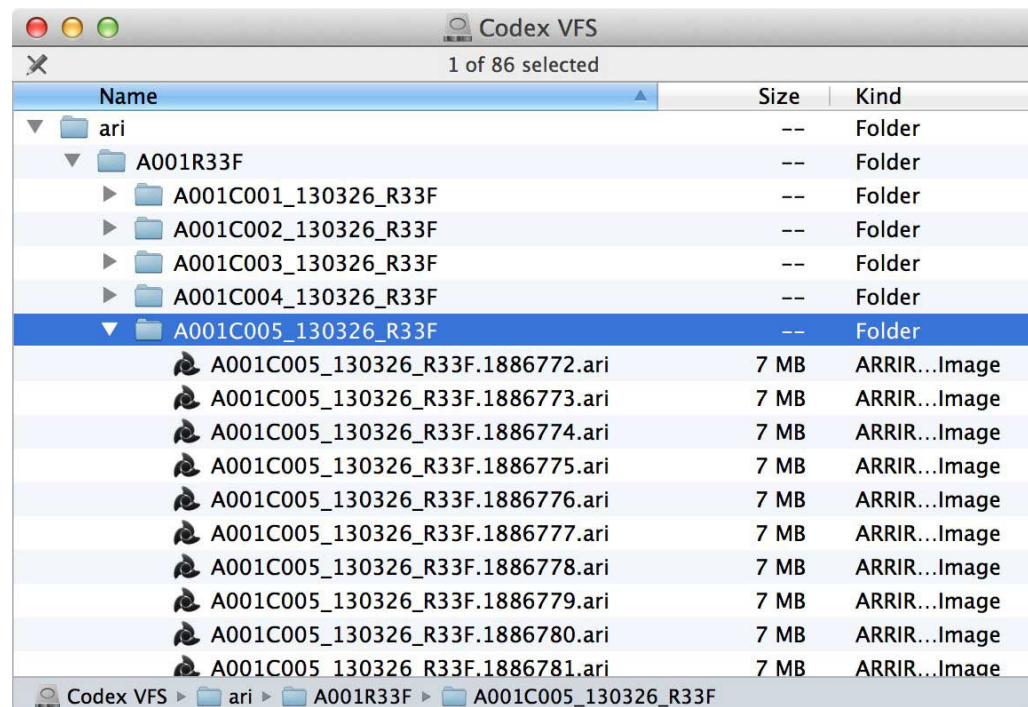


Fig. 43: Example of an XR Capture Drive using the VFS default file structure in Mac OS X

File naming scheme

ALEXA automatically names files as they are created on the recording media. While it is possible to change the file names later on a computer, it is not recommended, as the ALEXA naming scheme has been developed to minimize the risk of duplicate file names.

The file name consists of 6 parts:

- Camera Index: One character, A-Z. User assignable, should match the camera unit. For example, the camera index A can be assigned to the A camera, and B to the B camera.
- Reel Counter: 3 characters, 001-999. Auto-assigned to each drive/card, automatically advanced by one for each new drive/card. The user can change the counter for the next reel. This should only be done under special circumstances, such as after changing the camera body in the middle of a shoot.
- Clip Index: One character, fixed to C. Main use is to separate the reel counter from the clip counter. If more than 999 clips are recorded to one card (not likely to happen), it changes to D.
- Date: Current date, in order YYYYMMDD, as set in Menu>System/Time/Date, separated from the other naming components by underscores.
- Camera ID: Consists of a one letter prefix, user-adjustable between R and L, and the camera serial number encoded in 3 letters Base36 (0-9, A-Z).

The file name for ARRIRAW files on SXR/XR Capture Drives is controlled by the VFS configuration. We highly recommend to use the standard file naming convention "<shot>.<TC frames since midnight>.<extension>", whereas "shot" automatically uses the ALEXA naming scheme described above.

The reel counter should be set to 001 at the beginning of a shoot. The camera will then automatically advance the reel number each time a new drive/card is loaded into the camera, formatted and recorded on. If a previously recorded drive/card is reloaded in the camera (comparable to a short end of a film roll), it will keep its reel number and the camera will continue the reel count. If the drive/card is loaded in another camera, the card keeps its name, but a new folder with the according camera ID and reel number is created in the root folder of the drive/card. It is possible, but usually not necessary, to manually change the next reel number in the Project menu.

Examples

A typical ProRes/Quicktime file name would look like this:

- A004C010_20130110_R1JL.mov

A typical ARRIRAW file name would look like this:

- A004C010_20130110_R1JL.1886777.ari

The translation of this name is as follows:

- This clip was the tenth clip recorded on the fourth reel.
- This clip was recorded on January 10, 2013.
- The camera assigned the Base 36 serial number 1JL, which translates into the decimal serial number 2001
- Frame number 1886777 on a 24 fps project translates to a time of day time code of 9:50:15pm and 17 frames.

Additional recommendations

To minimize the risk of lost data, ARRI suggests the following guidelines for data management:

- Pre-format your media. Format all the drives/cards in the camera before shooting begins. This will save production time at least until all cards have been used once. The media do not receive a reel number until the first clip is recorded, so there is no need to use the cards in the same order they were pre-formatted.
- Limit the recording time, especially on the drives. Compressed recording offers very long recording times. Please consider limiting the recording time to 30 minutes of footage per card/drive to reduce risk of losing data.
- Download and back up data immediately after reloading the camera to minimize the time that data exists in just one place.

- On **SxS** cards, use the write protect tab before sending it to the data wrangler.
- After an **SxS** card has been downloaded and backed up, disengage its write protect before formatting.

Metadata

Metadata is stored in a Final Cut XML file, an Avid ALE file, in the recorded frames/clips and embedded in the HD-SDI signals. The most important metadata for post production workflow is the tape name, as it will be one of the primary identifiers used in the EDL. The term tape name is an existing post-production naming convention that is also used for nonlinear media. The terms tape name and reel name may be used interchangeably.

The tape name of ALEXA files is limited to 8 letters to match the CMX 3600 EDL standard. It consists of the Camera Index, reel counter and the Camera ID. Based on the previous example, the tape name of the clip would be A004R1JL.

Even if the user forgets to assign different camera indices to two cameras on the same project, the Camera ID metadata guarantees unique tape names.

The Quicktime file carries a single timecode track.

For more information, please refer to the Metadata white paper available for download on the ARRI website.

14.2 Monitoring

The ALEXA's monitoring options are the electronic viewfinder EVF-1 and the MON OUT. Surround View is available on both. With Surround View set to On, 10% additional pixels outside the recorded image area on the ALEXA's ALEV III sensor are displayed, allowing the operator to see outside the recorded image and keep unwanted objects, such as microphone booms or dolly tracks, out of the shot. To view only the recorded image, set Surround View to off.

To aid in framing, both the EVF-1 and MON OUT can display frame lines overlaid on the image. Frame lines can be considered electronic versions of ground glass markings in film cameras.

14.2.1 Frame Lines

A standard set of frame lines for different aspect ratios is provided in the camera, including:

- 1.33:1 (ARRI 1.33)
- 1.66:1 (ARRI 1.66)
- 1.78:1 (ARRI 1.78)
- 1.85:1 (ARRI 1.85)
- 2.39:1 (ARRI 2.39 Flat)
- 2.39:1 1.3x anamorphic (ARRI 2.39 Scope 1.3x)
- 2.39:1 2.0x anamorphic (ARRI 2.39 Scope 2x)

To create custom frame lines, use the Frame Line Composer on the ARRI website.

NOTICE

When shooting ProRes 2K (2048x1152) for a DCI 2K release in a 1.85:1 aspect ratio, the preloaded frame line ARRI 1.85 2K DCI can be used to mark the corresponding 1998x1080 area for a DCI 2K 1.85 without requiring any scaling in post production. This frame line is not available in HD mode (1920x1080).

14.2.2 Status Info Overlays

The ALEXA can display camera status information on EVF-1 and MON OUT.

At the top and bottom of the screen, the ALEXA displays textual status information. The top status bar consists of sensor FPS, shutter angle, exposure index and white balance. In the EVF-1, the status bar also works as a menu, allowing the user to change the values when the *CAM* button is pressed.

The bottom status bar displays information about the battery levels, recording/standby flag and remaining capacity of internal storage.

NOTICE















In SUP 1.0, the maximum size of a single clip is limited to about 229 GB. Therefore, the camera shows the remaining time for both the whole media as well as the current clip as soon as recording starts. During standby, the camera shows only the remaining time for the whole media.

On the left and right of the screen, icons provide information about the current status of the camera. The icons are organized into groups.

The left icon group is labeled *SYS* and contains information about the general system state of the ALEXA. On the right side, there are three groups labeled *MON*, *EVF* and *LOOK*. They provide specific information about *MON OUT 1/2/3*, *EVF-1* and the application of *ARRI Look File 2* files.

The following table explains the icons in the *SYS* group:

PRes	Indicates that the current recording mode is set to ProRes.
RAW	Indicates that the current recording mode is set to AR-RIRAW.
HD	Indicates that the current recording resolution is set to HD.
2K	Indicates that the current recording resolution is set to 2K Cine.
2K A	Indicates that the current recording resolution is set to 2K Anamorphic.
2.8K	Indicates that the current recording resolution is set to 2.8K.
3.2K	Indicates that the current recording resolution is set to 3.2K.
3.4K	Indicates that the current recording resolution is set to 3.4K.

	Indicates that the current recording mode is set to ProRes.
	Indicates that the current recording resolution is set to 4K Cine Anamorphic.
	Indicates that the current recording resolution is set to 4K UHD.
	Indicates that the current recording resolution is set to 4K Cine.
	Indicates that there is a warning condition in the camera.
	Warns that the camera has detected an error.
	Indicates that the camera temperature is outside of its optimal range.
	Warns that the camera temperature has reached a critical point where it can no longer be operated and must be powered down.
	Indicates that prerecording is activated.
	Indicates that audio recording has been switched on.
	Warns that audio recording has been switched on, but is currently disabled, e.g. because of an off-speed framerate.
	Indicates that the camera controls are locked. <i>Only shown in EVF-1</i>
	Indicates that the motorized sliding ND filter is in the optical path <i>Only for ALEXA SXT Studio</i>
	Indicates that a frame grab is currently in progress.

PRes	Indicates that the current recording mode is set to ProRes.
RET	Indicates that the signal from the RET IN connector is currently being displayed.

The following table explains the icons in the MON and EVF group on the right:

Icon	Description
LOG	Indicates that the processing of the respective output is set to Log C.
LOOK	Indicates that the processing of the respective output is set to ARRI Look File 2 file.
A709	Indicates that the processing of the respective output is set to ALEXA Classic 709.
PEAK	Warns that peaking is active on the respective output.
SMTH	Warns that smooth mode is active in the EVF-1.

14.3 Using Timecode

Timecode ensures that every image of recorded media can be identified with a unique value and synced with corresponding media, such as sound or the second camera in a 3D application. When used with other metadata, such as reel names, all recorded media maintains its unique identity.

Following are two ways timecode can be used on a production:

External TC, Time of day

- *Use:* This format is often used on multi-camera productions with sync-sound. When all cameras are running at sync-sound speed, which is also the project frame rate, sound and image time code match and allow for easy syncing in post.
- *Setup:* The sound department acts as the timecode master, and generates timecode which uses the time of day as a value, and a time base matching the project frame rate. Twenty-four hours of time will translate into twenty-four hours of time code.

Timecode is fed to the camera via the TC connector. The timecode source must be set in the camera to Ext LTC and the mode to Free Run. The project fps setting must match both the sensor frame rate and the time base of the external timecode signal. The camera can be set to use Jam sync generator, in which it samples the timecode value once and then continues counting based on its own high-precision crystal clock. The timecode source can be disconnected from the camera after jamming in Jam sync generator mode. This mode ensures stable timecode with an offset of less than one frame for each eight hours, after which the camera has to be re-jammed.

Alternatively, the camera can be set to regenerate mode, or Regen on the TIMECODE OPTIONS screen. In Regen mode, the camera uses the timecode value of the external timecode source. This ensures correct timecode for an infinite duration, but the timecode source must remain connected to the camera. Note that the camera ignores external timecode during record and counts using its internal clock to avoid timecode jumps should connection problems arise, e. g. due to a faulty timecode cable.

- *Variations:* If shooting starts close to midnight, the timecode might be started with an offset time of day to prevent a rollover at midnight.
- *Restrictions:* External timecode is only possible if the camera is running at sync-sound speed. If the camera is over- or under-cranking, the timecode frame rate will no longer match the sensor framerate, and timecode values would either be duplicate or dropped. To prevent this, the ALEXA will automatically switch to Int TC source and Regen mode when the sensor frame rate is changed.

Internal TC, Rec Run

- *Use:* Record run timecode is often used on single camera productions that are either MOS or use a dumb slate to sync picture and sound. Record run timecode guarantees continuous timecode on all recorded data. Record runtime code also works with over- and under-cranking.
- *Setup:* The timecode source must be set to Int TC, the mode to Rec Run and the generator to Regen. Timecode counts up only during recording, by one frame for each image generated by the sensor. The timecode counts at the project frame rate set on the camera. Normally, the timecode hour value advances by one hour for each new reel, using only hours 01-20 for reel 1-20, and then restarting at hour 01 for reel 21.
- *Variations:* Record run timecode might be used for off-speed work on productions that use external timecode sources for all sync sound.
- *Restrictions:* None.

14.4 Syncing the Sensors of Two Cameras

Two ALEXAs can be synced for 3D applications or any application requiring sensor sync using the EXT connectors and corresponding cable. When synced, images are captured from each camera's sensor at precisely the same time.

NOTICE

- Syncing two sensors is possible at frame rates of at least 1.000 fps.
- Use both sensor sync and settings sync (see next chapter) in 3D setups.

To sync the sensors of two ALEXAs:

1. Connect an EXT cable KC 155-S to the EXT ports on each ALEXA.
2. In the System menu on the master camera, select External Sync.
3. On the EXT SYNC screen, set Sensor sync to EXT master.
4. In the System menu on the slave camera, select External Sync.
5. On the EXT SYNC screen, set Sensor sync to EXT slave. It takes approximately five seconds for the two ALEXAs to sync.

The master camera triggers the slave camera so that images are created at the same moment of time with an accuracy of 10 μ s. Whenever an error occurs, the camera will issue a warning.

Image integration between master and slave camera has a locked offset of less than 10 μ s. This means that in the worst case, exposure differs by 4.3% (@ 60 fps frame rate and 5.0° shutter angle). With a regular exposure time (24 fps, 172.8°), the maximum difference is 0.05%.

Synchronizing Image Output

The MON OUTs of two ALEXAs can also be synchronized. To achieve this, the user must send a trigger from the master camera to the slave camera after sensor sync is established.

To sync the MON OUTs of two ALEXAs:

1. Ensure that the sensors of the two ALEXAs are synced.
2. Ensure that MON OUT fps equals sensor fps.
3. In the System menu on the master camera, select External Sync.
4. On the EXT SYNC screen, select Send HD sync trigger.
5. Press the jogwheel to send the trigger to the slave camera.
The camera will display the message *HD sync trigger sent to slave camera!*. If the sensors are not synced, the camera will display the error message *Trigger not sent. Camera must be set to Ext sync: Master!*

After the sync trigger has been sent, the slave camera will no longer display the warning *HD outs not synced. Trigger now!*

If the two cameras' settings are synced over Ethernet, the trigger is automatically sent.

When the outputs are synced, jitter between the two cameras' HD outputs is less than 500 ns. The HD output of each camera can be advanced or delayed by up to 30 HD clocks (1 HD clock= 13.46 ns), allowing for a total shift of 60 HD clocks (808 ns total) between cameras.

Timecode

Timecode is also transmitted from the master to the slave over the EXT cable. When a camera has been set to slave, it automatically uses the timecode values transmitted over the EXT cable. The TC screen will display *EXT TC from master camera* as TC source, and all options are disabled. Only the master camera outputs LTC timecode on its TC connector.

NOTICE

- In a setup with sensor sync, but without settings sync, recording needs to be started first on the slave camera, and then on the master camera.
- When the mirror shutter is switched on, an ALEXA Studio can only be synced to another ALEXA Studio.
- Recording on the slave camera may stop a few frames later than on the master camera. Sync up the clips by timecode to ensure matching master/slave footage.

14.5 Syncing the Settings of Two Cameras

Two ALEXAs can be operated with synchronized settings. ARRI recommends to sync the settings of the same ALEXA models only, for example, two ALEXA Plus models.

Camera connection

The settings of two ALEXAs can be synchronized over ethernet using the ALEXA Ethernet/Ethernet Cable KC 156-S, or over an ethernet hub using the ALEXA Ethernet/RJ-45 Cable KC 153-S.

Camera setup

To sync the settings of two ALEXAs over Ethernet:

1. Connect an ALEXA Ethernet/Ethernet Cable KC 156-S to the EXT ports on both ALEXAs, or an ALEXA Ethernet/RJ-45 Cable KC 153-S to the ethernet hub and the EXT port of each ALEXA.
2. In the System menu on the master camera, select External Sync.
3. On the EXT SYNC screen, set Settings sync to ETH master.
4. In the System menu on the slave camera, select External Sync.
5. On the EXT SYNC screen, set Settings sync to ETH slave. The two ALEXAs will automatically negotiate IP addresses. It takes approximately five seconds to establish a connection.

The master camera will initially distribute its settings to the slave camera. Once this is done, settings can also be changed on the slave camera, and the change will take effect on both cameras. This is useful if the master camera's controls are not accessible.

If a camera is set to ETH master or ETH slave, but is not connected to another camera, a warning is displayed on the STATUS Info screen.

Synced settings

The following settings are synced when syncing two ALEXAs:

WB>White Balance + CC Tint

EI>Exposure Index

FPS>Sensor FPS

SHUTTER>Shutter Angle

COLOR>REC Processing

COLOR>MON OUT 1 Processing

COLOR>MON OUT 2 Processing

COLOR>MON OUT 3 Processing

COLOR>EVF Processing

MENU>Recording>Mode

MENU>Recording>Codec

MENU>Recording>Resolution

MENU>Monitoring>EVF>Surround view

MENU>Monitoring>EVF>Anamorphic desqueeze

MENU>Monitoring>MON OUT 1>Frame rate
MENU>Monitoring>MON OUT 1>Scan format
MENU>Monitoring>MON OUT 1>Status info
MENU>Monitoring>MON OUT 1>Surround view
MENU>Monitoring>MON OUT 1>Surround mask
MENU>Monitoring>MON OUT 1>Framelines
MENU>Monitoring>MON OUT 1>Anamorphic desqueeze

MENU>Monitoring>MON OUT 2>Frame rate
MENU>Monitoring>MON OUT 2>Scan format
MENU>Monitoring>MON OUT 2>Status info
MENU>Monitoring>MON OUT 2>Surround view
MENU>Monitoring>MON OUT 2>Surround mask
MENU>Monitoring>MON OUT 2>Framelines
MENU>Monitoring>MON OUT 2>Anamorphic desqueeze

MENU>Monitoring>MON OUT 3>Frame rate
MENU>Monitoring>MON OUT 3>Scan format
MENU>Monitoring>MON OUT 3>Status info
MENU>Monitoring>MON OUT 3>Surround view
MENU>Monitoring>MON OUT 3>Surround mask
MENU>Monitoring>MON OUT 3>Framelines
MENU>Monitoring>MON OUT 3>Anamorphic desqueeze

MENU>Project>Project fps

The slave camera also takes over the Camera ID of the master camera, so file names are identical except for the Camera ID prefix. It is important to give the master and the slave camera different Camera ID prefixes to prevent duplicate file names.

When formatting media in settings synchronized cameras, the next reel count of the master camera takes effect.

NOTICE

- An error will be triggered on pressing record when at least one of the synced cameras is not ready for recording (e.g. because of missing medium).
- Automatic white balance for synced cameras can only be initiated on the master camera.
- Sensor mode needs to be switched manually on all synced cameras. Do not start recording until all cameras have loaded the same sensor mode.
- Prerecord does not work in combination with settings sync.

15 ALEXA SXT Plus

The ALEXA SXT Plus has a special side cover that contains extended electronics and offers the following additional functions over the standard ALEXA SXT EV:

- Built-in radio system for wireless remote control of lens and camera
- A level sensor to determine the camera's tilt and roll in degrees
- Three CLM (Controlled Lens Motors) ports for driving CLM-2, CLM-3, CLM-4, CLM-4 Plus, and CLM-5 motors or LDE-1 data encoders
- Two LCS (Lens Control System) bus interfaces for connecting WCU-3, WCU-4, WHA-3 and ZMU-3 hand units
- LDS Lens Data System for reading lens data from LDS lenses
- Depth of field calculation for LDS lenses and LDA (Lens Data Archive) lenses in combination with calibrated lens motors
- LDD (Lens Data Display) interface
- Control of LDS, radio, and lens motors through the camera user interface
- A third RS socket
- A fourth MON OUT output
- An additional function button labeled *WRS* (Wireless Remote System). It gives access to the WRS screen, from where all camera settings related to the Plus camera features can be adjusted.

Any ALEXA SXT EV can be upgraded to an ALEXA SXT Plus by installing the Plus module.

NOTICE

- The Plus module must be installed by an authorized ARRI service center only.
- All features described in this Chapter are also available on ALEXA SXT Studio.



Fig. 44: CLM sockets



Fig. 45: ALEXA SXT Plus connectors

15.1 Radio System

The ALEXA SXT Plus module contains a radio unit that enables wireless lens control, lens data communication and remote control of basic camera functions. The radio system is called white radio and it can be identified by a white ring at the base of the antenna mount point. It offers 8 channels to choose from:

Channel	Frequency
0	2.410 GHZ
1	2.415 GHZ
2	2.430 GHZ
3	2.435 GHZ
4	2.450 GHZ
5	2.455 GHZ
6	2.470 GHZ
7	2.475 GHZ

White radio and legacy yellow radio cannot be mixed in the same radio network of camera and hand units. It is possible to use both systems in parallel within different radio networks.

Up to three hand units can be connected to one camera in parallel to form a radio network.

NOTICE

When a camera is set to "Sensor sync: EXT slave", its radio module automatically switches itself off, and the camera receives CLM control commands from the Master camera via the EXT cable.

15.2 Wireless Remote System

15.2.1 Setting the region of the wireless function

⚠ CAUTION!

Wireless region settings specify where the wireless function can be used in compliance with local regulations. It may be illegal to use the wireless function in a region other than specified in the setting. Please ensure that the region is configured correctly, e.g. when traveling.

- ▶ Press the WRS button. Choose RADIO > WRS REGION and select the region. You have the following options:
 - *Japan*
 - *Europe*
 - *USA*
 - *South Korea*
 - *World*

For further information see image below. Find your country/ region in the left column and the respective setting in the upper row. In case of doubt please contact ARRI Service to ensure that the region is configured correctly (e. g. when traveling). Note all settings fulfill FCC requirements.

Setting \ Region	Europe	USA	Japan	World
Europe	x			x
USA+Canada		x		x
Japan			x	x
AUS/NZ	x			x
Taiwan,		x		x
South Korea			x	x
China		x		x
Phillipines	x			x
Thailand	x			x
Israel	x			x
South Africa	x			x
Singapore	x			x
U.A.E.	x			x
India	x	x		x
Egypt	x			x
Russia	x			x
Europe	x			x

Fig. 46: Region setting for ARRI WRS

15.2.2 Lens Motors

The ALEXA SXT Plus supports ARRI CLM-2, CLM-3, CLM-4, CLM-4 Plus, and CLM-5 motors and the LDE-1. CLM-1 motors are not supported. CLM-2, CLM-3, CLM-4, CLM-4 Plus and CLM-5 motors can be used in a mixed setup.

NOTICE

Use only one lens motor per lens axis.

Lens motors should be connected, according to their position on the lens, to the IRIS, FOCUS and ZOOM sockets on the camera-right side.

Motor calibration

After connecting a lens motor to the camera and the lens, it must be calibrated. The lens motor must be recalibrated under the following conditions:

- when the lens motor is detached from the lens
- after a camera reboot
- after changing lenses
- after a change in motor position while powered down

NOTICE

Omitting motor calibration might lead to damage of the lens due to the high level of motor torque.

To calibrate a motor:

1. Press the *WRS* button.
2. Select a motor by pressing the *IRIS CLM*, *ZOOM CLM* or *FOCUS CLM* button.
3. Press *CALIBRATE* to start calibration of this motor only, or *CAL. ALL* to start calibration of all motors.

Motor direction

The direction of the motors can be set in the ALEXA's menus.

To set the direction of a motor:

1. Press the *WRS* button.
2. Select the motor by pressing the *IRIS CLM*, *ZOOM CLM* or *FOCUS CLM* button.
3. Press the *LEFT* or *RIGHT* button to set the direction of the lens motor.

Motor torque

For all supported motors except for CLM-2 motors, the motor torque can be set in the ALEXA's menus.

To set the torque on a lens motor:

1. Press the *WRS* button.
2. Select the lens by pressing the *IRIS CLM*, *ZOOM CLM* or *FOCUS CLM* button.
3. Press the *+1* or *-1* buttons to increase or decrease the motor's torque. Available torque settings are 1 to 4, with 1 being the lowest torque level.

NOTICE

Ensure that the motor torque level matches the lens to avoid lens damage.

3D lens sync

When two ALEXA SXT Plus cameras are set to Sensor sync EXT master and EXT slave, the slave camera will switch off its radio module and receive motor control commands from the master camera over the EXT connection.

NOTICE

- Matching of the master and slave cameras' lenses in terms of focus, iris and zoom ring positions depends on the mechanical accuracy of the lenses. Make sure the lenses in use are matched as closely as possible. Use only lenses of the same focus classification to minimize positional errors. Deviating focus positions of non-matching lenses cannot be compensated.
- At higher focus distances, even a very small position error of the lens ring results in a great difference of indicated focus values. Therefore, even a pair of matching lenses in a 3D lens sync setup may show different focus values.

Lens Data Encoder LDE-1

The LDE-1 generates lens data in situations when an ALEXA Plus or ALEXA Studio model (or an UMC-4) is being used without an LDS lens or an ARRI lens motor. Thus the LDE-1 extends the abilities of the ARRI Lens Data System to all lenses and cameras setups. The LDE-1 is compatible with ALEXA SXT Plus and ALEXA SXT Studio models or with the ALEXA SXT EV models when used with the Universal Motor Controller UMC-4. The LDE-1 contains an encoder that delivers lens data to the camera and can be used in parallel with a manual follow focus unit or a third-party wireless lens control system.

15.2.3 Hand Units

For detailed information of the hand units, please refer to the device's own manuals.

Wireless Compact Unit WCU-4

The WCU-4 is an all-inclusive and yet affordable hand unit offering up to 3-axis lens control. It includes a newly designed, super-smooth focus knob with adjustable friction and backlit, optionally pre-marked focus rings that are well readable in the dark without distracting performers. The whole unit is completely splash proof for ARRI-typical reliability. The slider has its scale on the 3" display, providing clearly readable T-stop numbers and optional on-screen markings. If preferred, the slider can be also set to show zoom scales. With the additional ALEXA Remote license, the WCU-4 shows extended camera status information and allows to change camera parameters from the remote unit.

Wireless Compact Unit WCU-3

The WCU-3 is a compact hand unit featuring a radio system to connect to the camera wirelessly. It has two LCS ports for connecting the device to the camera via cable and to attach a ZMU-3. A wheel and a slider can be used to control focus and iris axes. Zoom axis can be controlled by attaching a ZMU-3 at an LCS port.

The WCU-3 also has a display where it shows current fps, shutter angle, exposure index and white balance of the camera.

Wireless Main Unit WMU-3

The WMU-3 is a radio system for wireless connection to the camera. Both WFU-3 and WZU-3 can be attached to the WMU-3.

Wireless Focus Unit WFU-3

The WFU-3 has a knob and a slider that can be used to control focus and iris axes. It connects to the camera through a WMU-3 or a WHA-3.

Wireless Zoom Unit WZU-3

The WZU-3 controls the zoom axis. It connects to the camera through a WMU-3 or a WHA-3.

Wired Hand Adapter WHA-3

The WHA-3 allows both WFU-3 and WZU-3 to connect to the camera via cable.

Zoom Main Unit ZMU-3

The ZMU-3 controls the zoom axis. It can be connected to the camera via cable to an LCS port, or via cable through an LCS port of an WCU-3, or wirelessly by using a WZE-3.

Wireless Zoom Extension WZE-3

The WZE-3 is a radio system that enables direct wireless connection of a ZMU-3 and a camera.

Hand Unit Priorization

Different priority levels are assigned to the hand unit devices to ensure only one device has control over a motor at a time.

A device's knob that is assigned to an axis has a higher priority than a device's slider assigned to the same axis. When steering items of the same type are assigned to the same axis, the one connected via WRS has highest priority, second highest priority has a device cable on the upper LCS port, the lower LCS port has the lowest priority. Of two radio devices with the same steering items assigned to the same axis, the one that connects to the camera first gains control.

Cabled devices can gain control of an axis at the time of connection. Wireless devices must be rebooted if an axis has become idle before they can gain control.

An exception to the rule are devices on the zoom axis. Here the cabled devices have the highest priority, with LCS port 1 having priority over LCS port 2.

15.3 Lens Data Display LDD-FP

The Lens Data Display for Focus Pullers LDD-FP can be used to display lens information. Connect it to the LDD port of the Plus module.

15.4 Plus Camera Controls

The ALEXA SXT Plus has an additional function button labeled WRS (Wireless Remote System). It gives access to the WRS screen, from where all camera settings related to the Plus camera features can be handled.

The WRS screen gives an overview of radio status, camera level, LDS status, and CLM status. The screen buttons lead to screens containing more detailed info on these topics and where settings can be changed.

RADIO	CAM LEVEL	LENS DATA
Channel: 3	Tilt 0.0°	Zeiss UP
Units: 1	Roll 0.0°	85 T1.8
Ready		LDA Ready
Ready	Ready	Ready
Dir: Left	Dir: Left	Dir: Left
Torque: 1	Torque: 0	Torque: 0
IRIS CLM	ZOOM CLM	FOCUS CLM

Fig. 47: WRS screen

RADIO

Shows the currently set radio channel, the number of connected hand units and the status of the radio system. Pressing the RADIO button opens a screen where radio can be set on or off, the channel number can be set, and the WRS region can be set. When radio is switched on, a small icon appears in the camera HOME screen.

WRS>RADIO	
WRS radio power	Off
WRS radio channel	3
WRS region	World

Fig. 48: WRS radio screen

⚠ CAUTION!

WRS region settings specify where the wireless function can be used in compliance with local regulations. It may be illegal to use the wireless function in a region other than specified in the setting. Please ensure that the region is configured correctly (e. g. when traveling).

CAM LEVEL

Shows the tilt and roll of the camera in degrees as measured by the camera's position sensor. This sensor can be reset if it appears to have an offset. Press the CAM LEVEL screen button to access the reset screen. By pressing the two lower outer screen buttons simultaneously, the sensor is reset.

NOTICE

The sensor can only be reset while both axis are within a threshold of +/-10 degrees around 0.

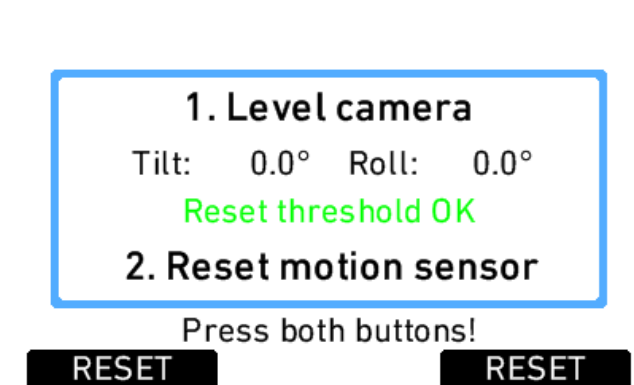


Fig. 49: Motion sensor reset screen

LENS DATA



Fig. 50: LDS info screen

Shows the type of LDS lens connected and the LDS status. The LENS DATA screen button leads to the LDS screen, where lens type, current focal length, iris, focus distance and close and far point of depth of field are shown.

The OPTIONS screen button opens the LDS options screen, where the following parameters can be set:

Lens distance unit	<ul style="list-style-type: none"> • Metric • Imperial • Default unit (as provided by the lens)
Circle of confusion	<ul style="list-style-type: none"> • 0.013 mm • 0.025 mm • 0.035 mm • 0.050 mm
LDS mount	<ul style="list-style-type: none"> • On • Off
Lens squeeze factor	Link to the Project menu

NOTICE

- When setting LDS mount to Off, it is possible to use a lens table from the Lens Data Archive (see below) with an LDS lens, and ignore data coming from the lens itself. To re-enable the LDS mount, set the parameter to On, detach the lens and re-attach it.
- After connecting a new LDS lens, turn all lens rings slowly until all lens axes have transmitted their current positions.
- Cooke /i lenses need to have a firmware version of 0.39 or higher to work properly with the camera.

LDA

When a non-LDS lens is connected, the user can achieve LDS functionality by using the Lens Data Archive. In the LDS screen, a button labeled LDA appears when a non-LDS lens is connected.

The LDA screen consists of a user list and a main archive list. The user list should only contain the lenses currently used to achieve quick access to the desired lens tables. The main archive contains a set of lens tables for ARRI/Zeiss High Speeds (also known as Super Speeds), Master Primes and Ultra Primes and can be extended with additional lens tables for any PL-Mount lens.

NOTICE

Custom lens tables may have to be created manually beforehand.

Pressing the LDA button opens the User LDA screen. Select a lens table and press the wheel. After calibrating the lens motors, the LDS functionality can be used.



Fig. 51: USER LDA screen

To add a lens table from the main archive, access the User LDA screen and press the ADD button. This opens the MAIN LDA screen. From the main archive, first select a lens type, then a lens model and then a lens class. The lens class can be found on the lens barrel below the infinity symbol of the focus scale. Select to add the lens table to the user list (Press ADD), use it without adding (USE), or both (ADD+USE).

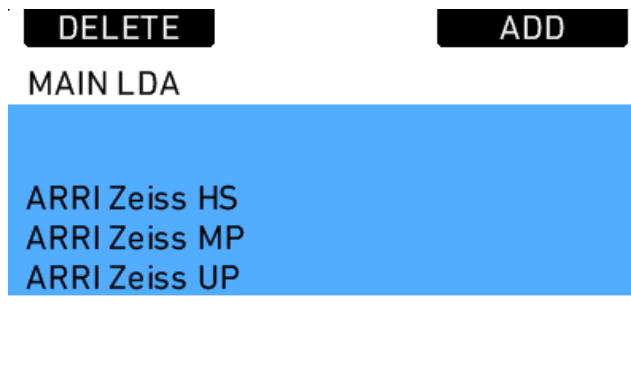


Fig. 52: Main LDA screen

To delete a lens table from the user archive, access the user list and press the DELETE button. Select the lens table to delete and press the two buttons labelled DELETE simultaneously.

Custom lens tables can be added to the main archive via the SD card. Place the lens table on the SD card in a folder named "LDA". Insert the SD card into the camera. Go to the main archive list and press ADD. Select the desired lens table and press the wheel. The lens table will be located in the main archive as lens type "Custom".

It is possible to inverse the iris, zoom and focus scales for lens tables if necessary. Press OPTIONS on the USER LDA screen to access the LDA OPTIONS screen, where these adjustments can be made.

Lenses can also be equipped with the lens data mount LDM. The mount contains a chip with the lens table stored inside, so the lens transmits its data to the camera as soon as it is connected. For information on current ring positions, these lenses must be used in combination with controlled lens motors.

CLM screens

The screens for IRIS, FOCUS and ZOOM controlled lens motors all have the same layout. They show the motor type, motor direction, motor torque, and motor teeth count mode.

NOTICE

For CLM-2 motors the torque value is greyed out as torque is only active for CLM-3, CLM-4, CLM-4 Plus, or CLM-5 motors. It can nonetheless be changed in case a CLM-3, CLM-4, CLM-4 Plus, or CLM-5 motor might be used but is currently not at hand.

In addition, a lens motor calibration can be triggered, either for all lens motors, or only for the one featured in the particular screen.

NOTICE

When starting a motor calibration, make sure each motor's gear wheel is connected properly to the lens. Pay extra attention that no one is close to the motors or holding them. Catching a finger, cloth or anything else on the motor's gear wheel can cause severe body harm as well as damage to the system (and not to mention hurt like hell).

The image below shows the FOCUS CLM screen:

CALIBRATE **DIRECTION** **+1**

FOCUS CLM

	DIRECTION	TORQUE
CLM-4	Left	0

Teeth mode: Auto (50t)

CAL. ALL **TEETH** **-1**

- ▶ Press CALIBRATE to start calibration of the selected motor.
- ▶ Press CAL. ALL to start calibration of all motors simultaneously.
- ▶ Press DIRECTION to toggle motor direction between Left and Right.
- ▶ Press TEETH to toggle motor teeth count between:
 - Auto (detected teeth count in brackets)
 - 40t
 - 50t
 - 60t
- ▶ Press +1 or -1 to adjust motor torque.

3D Lens Sync

When two cameras are connected and their sensors are synced with via the EXT connectors, the slave camera will receive its motor commands from the master camera. Its radio module switches automatically off. Calibration of lens motors must happen individually for each camera.

16 ALEXA SXT W



The ALEXA SXT W extends the features of an ALEXA SXT Plus by:

- a WiFi module that allows clients to connect to the camera, e. g. for remote live grading.
- a high quality, low latency HD video transmitter.

16.1 WiFi

The WiFi module in the ALEXA SXT W acts as an access point and opens up a wireless network in the 2.4 GHz band. The name of the network is "Alexa-SERIAL#", where SERIAL# is the serial number of the camera, and it uses WPA-2 encryption. The default password for the network is set to "arriarri".

The camera selects the WiFi channel automatically to minimize interferences. It is not possible to change the channel manually.

The WiFi configuration can be found at MENU > SYSTEM > NETWORK/WIFI.

It offers the following options:

- | | |
|--------------------|---|
| WiFi power | Select to turn WiFi power on or off |
| WiFi host password | Select to enter the password for the WiFi network |

NOTICE

When activating or deactivating the ARRI Wireless Remote System (WRS, also known as Electronic Control System (ECS) or "white radio"), the WiFi module changes its channel to minimize interferences. Devices connected via WiFi will lose their connection temporarily, but most devices reconnect automatically.

If the camera is connected via WiFi and Ethernet, ensure that no other device on the network uses the IP address 169.254.0.11.

Connecting to the web remote

The steps to connect to the web remote differ depending on the device that is used for accessing. The camera does not have an integrated DNS or DHCP server. Instead it uses zeroconf to setup the network, which is natively supported by Apple devices and which can be installed on other operating systems. Certain parameters need to be configured manually on devices that do not support zeroconf.

Devices supporting zeroconf

1. Connect to the camera's wifi.
2. Open a browser on the device
3. Enter *http://alexaSERIAL#.local*, where SERIAL# is the serial number of the camera.

Devices not supporting zeroconf

1. Look up the camera's IP address at **INFO>SYSTEM**.
2. Connect to the camera's wifi.
3. Set the IP settings of the device to static IP (not DHCP).
4. Assign an IP address where the first three numbers are identical to the camera's IP and the last number is different and in the range of 1 - 254.
Example: If the camera has the IP address 169.254.68.152, a valid IP for the device would be 169.254.68.150.
5. Open a browser on the device
6. Enter *http://IPADDRESS* to open the web remote, where IPADDRESS is the IP address of the camera.
Example: If the camera has the IP address 169.254.68.152, enter *http://169.254.68.152*

NOTICE

Devices may continuously show a symbol suggesting that it is still trying to connect to the camera, although the connection is already established. The connection is functional nevertheless.

16.2 Wireless Video

The HD video transmitter transmits the video signal of MON OUT 3 to a Wireless Video Receiver (WVR-1) or Transvideo Starlite ARRI-WVS monitor.

It can wirelessly transmit at 5 GHz up to a distance of 600m with less than 1 ms delay. The transmission is always secured by 128bit AES encryption and is uncompressed.

The camera can transmit to up to four receivers simultaneously.

NOTICE

The WVS is not compatible with any other wireless video transmission system. Only devices with the same region setting are compatible with each other.



- 1 Wireless video antennas
- 2 Status LEDs: Network, Video, Power
- 3 PAIR button

16.2.1 Preparation

- 1 Screw on two antennas on top of the HD video transmitter to the antenna connectors.
- 2 Attach a battery to the battery adapter on the back of the camera or use a power supply to power the camera.
- 3 Turn on the HD video transmitter in the camera menu and pair it to one or more receivers.

16.2.2 Status LEDs

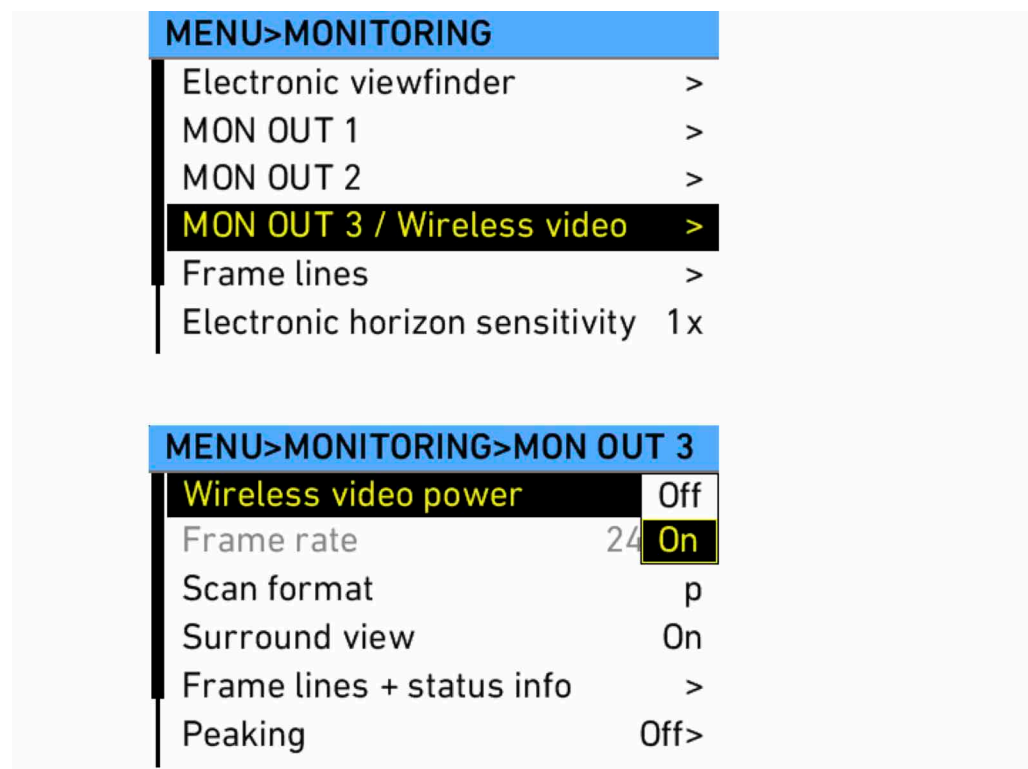
LED	Status
Network	<ul style="list-style-type: none"> • Solid: Connection is established • Normal blinking: Device is in listen mode • Fast blinking: During link setup mode (very short period) • Fast blinking: During registration (pairing button was pressed) • Very fast blinking: System error
Video	<ul style="list-style-type: none"> • Solid: Video signal is established and locked in • Normal blinking: Video source is not supported • Very fast blinking: System error
Power	Shows if wireless video device is powered

16.2.3 Pairing camera and receivers

To transmit video content from the camera to a WVR-1 or Transvideo Starlite ARRI-WVS, it is necessary to pair the devices. Pairing describes the function of connecting a transmitter to one or more receivers. The pairing needs to be confirmed at both devices with the push of the PAIR button. The pairing process is accompanied by a specific pattern of indicators through LEDs blinking on the devices.

Precondition:

- ▶ Select MENU > MONITORING > MON OUT 3 / WIRELESS VIDEO and ensure that Wireless video power is set to On.



Pairing:

1. Make sure the transmitter and receivers you want to pair are at least 1 m apart.
2. Turn on WVR-1. Make sure no other transmitters and receivers are powered up.
3. Press PAIR on WVR-1 until NETWORK LED blinks fast.
4. Press PAIR on the camera until NETWORK LED blinks fast.
5. Pairing is complete when NETWORK LEDs turn to solid.
6. Repeat the procedure for each additional WVR-1.

During the pairing process, the external monitor to which the WVR-1 is connected should show the following information:

- 1 "Registration in Progress"
- 2 "Searching for Camera Unit ..."

For instructions on pairing the camera with a Transvideo Starlite ARRI-WVS, please see the manual of the Transvideo Starlite ARRI-WVS.

NOTICE

If four receivers are paired to a transmitter, and another receiver is paired, the first of the already paired receivers will be unpaired and the new one will be added. The adding of new receivers works in a cyclic first-in first-out order.

An inactive receiver stays paired to the transmitter. If a fifth receiver is added to a setup with one inactive and three active receivers, the new receiver does NOT replace the inactive one. In this case, there is no differentiation between active and inactive devices. The rule mentioned above still applies.

NOTICE

Before pairing two devices, make sure that there is at least 1 meter / 3.3 feet distance between the devices.

16.2.4 Supported resolutions

1080p	23.976, 24, 25, 29.97, 30, 50, 59.94, 60
1080i	48, 50, 60
1080psf	<ul style="list-style-type: none"> • 23.967 (displayed as 1080i48) • 24 (displayed as 1080i48) • 25 (displayed as 1080i50) • 29.97 (displayed as 1080i60) • 30 (displayed as 1080i60)

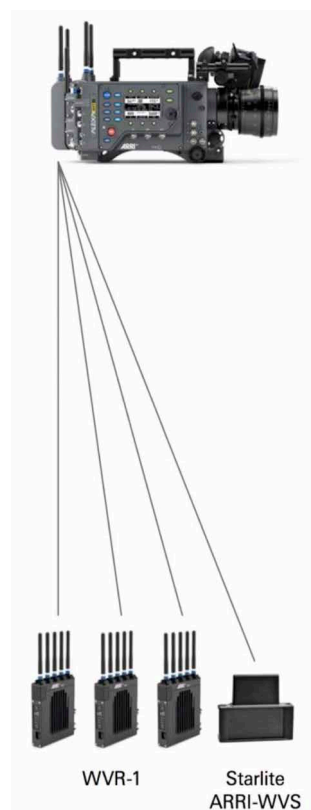
16.2.5 Supported frequencies

Frequency	US	EU	JAP
5190 MHz	✓	✓	✓
5230 MHz	✓	✓	✓
5270 MHz, DFS	✓	✓	✓
5310 MHz, DFS	✓	✓	✓
5510 MHz, DFS	✓	✓	✓
5550 MHz, DFS	✓	✓	✓
5590 MHz, DFS	✓	✓	✓
5630 MHz, DFS	✓	✓	✓
5670 MHz, DFS	✓	✓	✓
5755 MHz	✓	NA	NA
5795 MHz	✓	NA	NA
5835 MHz	NA	NA	NA

16.2.6 Sample setups

The number of WVS systems that can be used in parallel depends on the number of channels available, which is different for each region, and the radio noise present. In general, four to six systems can work in parallel.

It is possible to pair one ALEXA SXT W with up to four receivers (either the WVR-1 or the Transvideo Starlite ARRI-WVS). See an example setup below.



NOTICE

It is not possible to pair one WVR-1 with more than one ALEXA SXT W.

16.2.7 Software update

To up- or downgrade the HD wireless video module, it is necessary to connect it via USB to a Windows computer that runs the ARRI Wireless Video software, which is available for download on the ARRI web page. You need to have the current firmware installation file available to perform the upgrade. The user software guides you through the process of up- or downgrading.

NOTICE

The firmware up-/downgrade process of the wireless video module is separate from the regular ALEXA Software Update Packet (SUP) updates.

⚠ CAUTION!

Do not switch off power and do not remove the USB cable during the update, as this may damage the wireless video module.

17 ALEXA SXT Studio

The ALEXA SXT Studio extends the features of an ALEXA SXT Plus by:

- Optical viewfinder:
Unique construction from ARRI, featuring optical anamorphic desqueeze, diopter correction, image flip, camera left/right positioning and horizontal distance adjustment
- Electronic mirror shutter:
The electronic mirror shutter can be adjusted in a range of 11.2° to 180.0° degrees. When in use, it completely removes rolling shutter effects of the sensor.
- Built-in motorized ND filter:
The ND filter has a density of 1.3 (= 4.3 stops) and can be moved in and out of the optical path with the push of a button. It is located between the mirror shutter and the image sensor, so the optical viewfinder image is not affected by the filter and stays bright.

17.1 ALEXA Studio Images







17.2 Optics

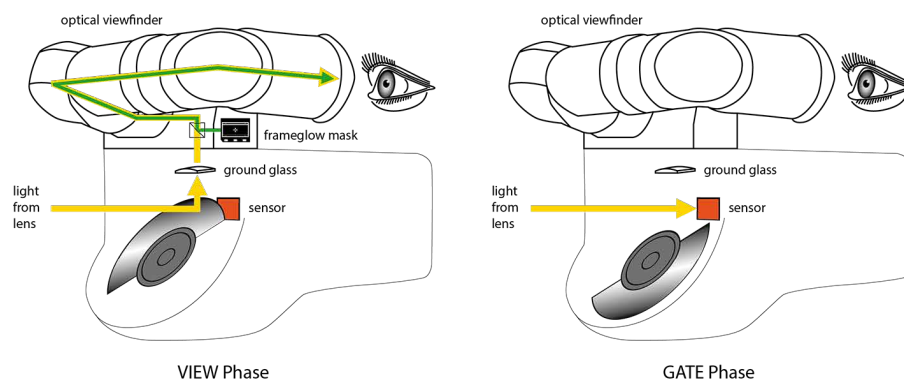
17.2.1 Electronic Mirror Shutter

The electronic mirror shutter is located between the PL-mount and the image sensor at an angle of about 45°. It is part of the optical reflex viewfinder system that reflects the lens image into the optical viewfinder.

It is synchronized with the electronic shutter of the camera sensor so that the sensor is only read out in the dark phase. This completely removes rolling shutter effects of the sensor readout.

Its 180° mirrored surface reflects the lens image into the optical viewfinder. The open sector of the mirror shutter can be reduced through an electronically controlled sector gate. The mirror shutter rotates 360° for every captured frame, controlling the exposure of the sensor through its open sector. The readout of the sensor happens while the mirror reflects the light of the optical path into the optical viewfinder.

The angle of the open sector is electronically controlled via the regular camera controls.



17.2.2 Lens Adapter PL Mount LA-PL-2

For a general description, please refer to page 47.



Fig. 53: ALEXA Studio PL-Mount

NOTICE

Due to the optical mirror shutter, Angenieux Optimo DP zoom lenses, any Super 16 lenses, or lenses with dimensions not matching the dimensions in the figure "Allowed lens dimensions with mirror shutter" drawing cannot be used with the ALEXA Studio, as they would destroy the rotating mirror shutter!

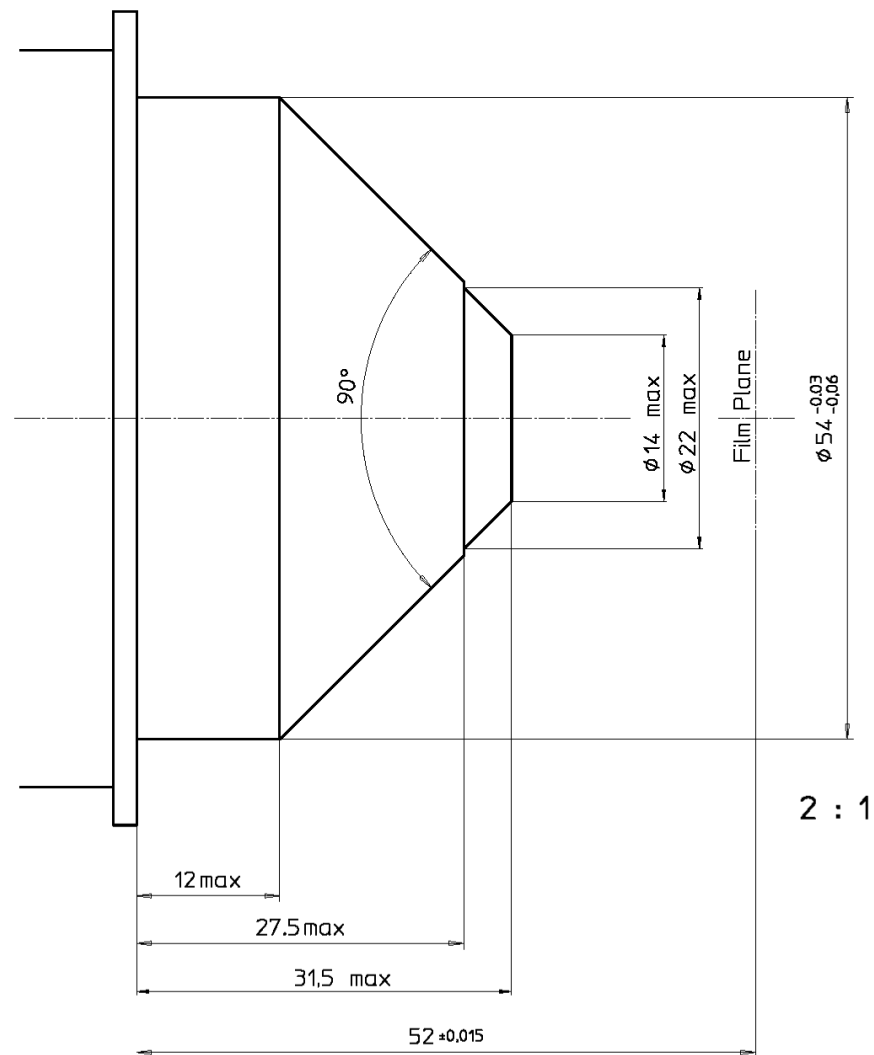


Fig. 54: Allowed lens dimensions with mirror shutter

17.2.3 Optical Viewfinder

The ALEXA SXT Studio has an optical reflex viewfinder system with interchangeable ground glasses.

It offers an exceptional viewing quality favored by a large optical design. Special care has been taken to avoid the unpleasant vignette effect that could occur by moving the eye.

NOTICE

To use the optical viewfinder, the mirror shutter must be set to On.

The viewfinder is adjustable in two axes, laterally extendable for left eye operation and shows illuminated frame lines (ARRIGLOW).

The viewfinder image stays upright and correct left-to-right when the viewfinder is swiveled within the main axis.



Fig. 55: OVF top view, with mounting points marked

To extend the viewfinder arm:

1. Loosen the straight-structured ring next to the FIX engraving counter-clockwise (contrary to the arrow).
2. Adjust the horizontal position.
3. Tighten the ring clockwise (with the arrow direction).

To adjust barrel friction:

- ▶ Move the dot-structured ring according to the engravings LOOSE and FRICTION to loosen or tighten the friction of the OVF barrel.

Contrast Filter

To achieve a temporary subjective reduction of viewfinder contrast range, a contrast filter (density 0.6) can be pivoted into the optical beam path.

1. Use the lever next to the level bubble to pivot the contrast filter into the optical path.
2. Releasing the lever pivots the contrast filter back out of the optical path.

Ground glasses

The image created by the lens is projected to the ground glass, from where it is picked up by the optical viewfinder.

Ground glasses contain frame and format markings to show the recorded image area and the area of interest. The sensor aperture of the ALEXA SXT Studio is different from the camera aperture of ANSI and DIN Super35 formats. Therefore, Super35 ground glasses of the ARRICAM system do not provide exact frame markings in the ALEXA SXT Studio viewfinder image. For exact framing, use only ground glasses made specifically for the ALEXA SXT Studio.

To exchange a ground glass:

1. Press the VIEW button so that the sensor is protected by the mirror shutter.
2. Turn off the camera and disconnect it from power supply.
3. Remove the lens or protective cap.

4. Screw the ARRI Ground Glass Puller into the ground glass.
5. Carefully pull out the ground glass.
6. Check that the new ground glass and the ground glass holder are clean.
7. Screw the ARRI Ground Glass Puller into the new ground glass and push it into the holder.
8. Make sure the ground glass is inserted completely and correctly locked in place.
9. Unscrew the ground glass puller from the ground glass.
10. Attach a lens or a protective cap to the lens mount.

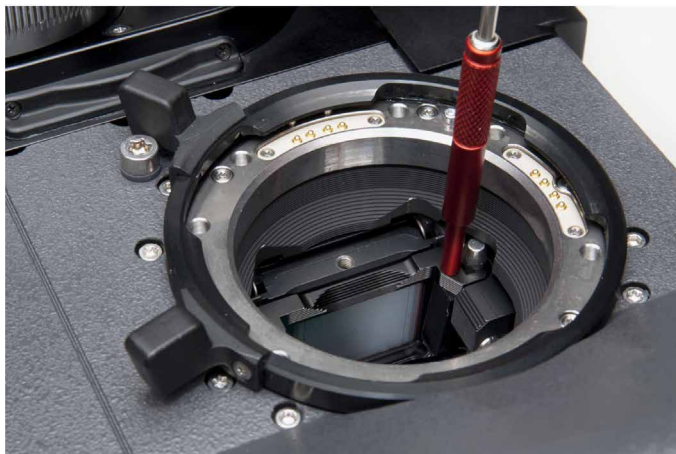


Fig. 56: Ground glass in camera with Ground Glass Puller attached



Fig. 57: Ground glass with attached Ground Glass Puller

To remove the field lens, which is located above the ground glass:

1. Remove the ground glass first
2. Screw the ARRI Ground Glass Puller into the field lens

3. Carefully pull out the field lens

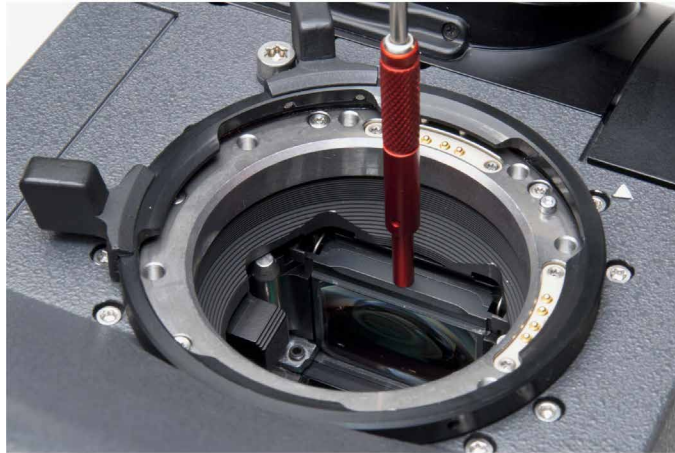


Fig. 58: Field lens in camera with attached Ground Glass Puller



Fig. 59: Field lens with attached Ground Glass Puller

NOTICE

Due to the risk of displacement caused by shock force, ARRI recommends to remove both ground glass and field lens before transportation and shipping of the camera. Whenever removing the camera from its case, check that both ground glass and field lens are properly seated before switching on the camera to prevent any damage to the mirror shutter.

FRAMEGLOW

The FRAMEGLOW module is integrated in the optical viewfinder system of the ALEXA SXT Studio. It allows illuminated format markings to be superimposed onto the viewfinder image with adjustable brightness.

- ▶ Press the buttons on the left side of the OVF below the DIMMER engraving to adjust the brightness of the FRAMEGLOW. At its lowest brightness setting, the FRAMEGLOW is switched off.
- ▶ The FRAMEGLOW color is set in the camera menu under MENU>Monitoring>Frame lines> Frame lines color

NOTICE

When mirror shutter is switched Off, FRAMEGLOW is also deactivated to prevent stray light from hitting the sensor.

The ground glass used for the optical viewfinder should be combined with a matching frameglow mask.

To change the frameglow mask:

1. Loosen the 3mm hex socket head screw next to the level bubble.
2. Remove the level bubble element.
3. Grab the glow mask with a Hirschmann clamp at the forceps hole and pull it out of the glow mask frame.
4. Check that both the new glow mask and the glow mask frame are clean.
5. Carefully push the new glow mask into the glow mask frame.
6. Make sure the glow mask is inserted completely.
7. Place the bubble element on top of the FRAMEGLOW module and tighten the 3mm hex socket head screw.
8. Turn on the FRAMEGLOW and check that ground glass and glow mask are correctly aligned.



Fig. 60: Glow mask slot

Anamorphic Desqueeze

- ▶ Turn the wheel on top of the OVF ball element to swing the anamorphic desqueeze element into the optical path.

NOTICE

By default, the anamorphic element is for 2x anamorphic lenses. It can be changed to an element for 1.3x anamorphic lenses.

Image Flip

1. Press the button next to the image flip symbol.
2. Turn the knob next to the image flip symbol until the image is fully flipped.
3. To undo the flip, rotate the knob until the button jumps out and the knob is locked again.

Diopter Adjustment

NOTICE

Depends on the eyepiece in use. Description for default eyepiece of ALEXA SXT Studio.

1. Turn the eyepiece barrel until the ground glass is in focus.

A neutral, unstructured, bright out-of-focus image content (which can be achieved by removing the lens and pointing the camera at a bright area) helps with this.

Attaching the optical viewfinder

Upon delivery, the OVF is not connected to the camera and must be installed by the user.

1. Remove the protective cover from the OVF by loosening its 2x 3mm hex socket head screws.
2. Remove the cover plate from the camera by loosening its 2x 3mm hex socket head screws.
3. Place the OVF on the camera.
4. Take special care that the electronic connectors of camera and viewfinder are connected before pushing the OVF in place.
5. Tighten the 3x 3mm hex socket head screws of the OVF (See OVF top view image for locations of screws).

NOTICE

The torx screws on the camera that are painted red must not be tightened or loosened, as this would corrupt the alignment of the OVF.



Fig. 61: OVF with cover plate



Fig. 62: Alexa Studio with cover plate

NOTICE

When recording in Open Gate mode, the image shown by the optical viewfinder is smaller than the image that is actually recorded. For exact framing, use the EVF-1 or a monitor connected to MON OUT.

Swapping the optical viewfinder for an electronic viewfinder EVF-1

1. Make sure the camera is powered down.
2. Loosen the 3x 3mm hex socket head screws of the OVF completely (See OVF top view image for locations of screws).
3. Remove the optical viewfinder.
4. Place the EVA-1 electronic viewfinder adapter plate where the optical viewfinder was.
5. Tighten the 2x 3mm hex socket head screws.
6. Attach the EVF mounting bracket with the EVF-1 to the camera housing with its 2x 3mm hex socket head screws.
7. Connect the EVF cable to the camera.
8. Power the camera.



Fig. 63: Electronic viewfinder adapter EVA-1



Fig. 64: ALEXA Studio with mounted EVF-1

17.2.4 ND Filter

The ALEXA SXT Studio has an ND filter in front of the sensor, which can be moved in and out of the optical path. The motorized filter slider contains a ND filter with a density of 1.3 (= 4.3 stops), and a cover glass without additional density. The filter slider is sealed, so that no dirt or dust can enter the area between the slider and the sensor.

NOTICE

Perform regular dust checks on the outside of the ND filter slider, as dust might collect on top of it. As the slider is very close to the sensor, dust or dirt collecting on it might be visible as artifacts in images.

When performing a dust check, make sure the camera is switched off and disconnected from any power source to prevent the mirror shutter from activation during the cleaning process.

The ND filter can be activated in the EI screen by pushing the lower right screen button.

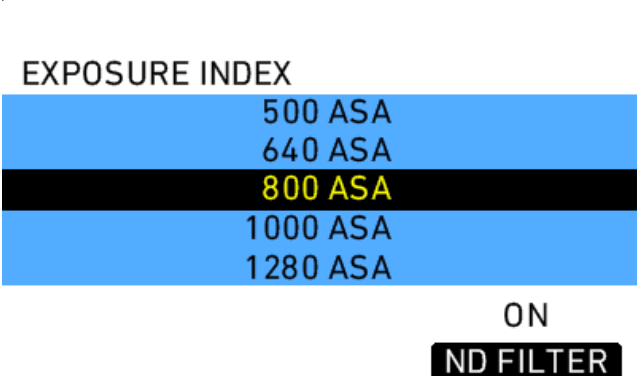
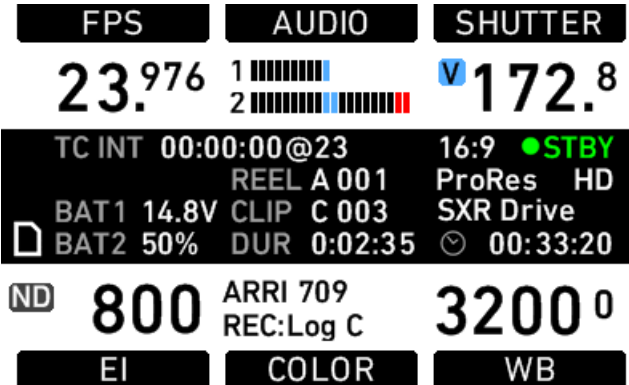


Fig. 65: EI screen

If activated, the ASA rating in the HOME screen will have an ND index next to it.



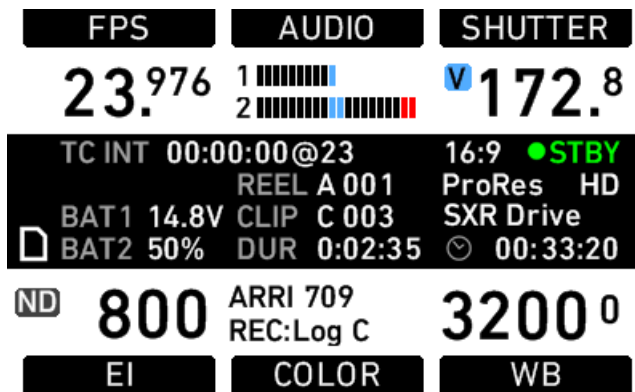
NOTICE





The use of the internal ND filter has no influence on the EI rating of the camera. When measuring exposure with a light meter, take into account the light loss of 4.3 stops generated by the ND filter.

17.3 Studio Camera Controls

A few additional controls are available on the ALEXA SXT Studio. These are used to control the mirror shutter and the ND filter.

The HOME screen has icons for the active ND filter and the mirror shutter position and state.



Icon	Meaning
	ND filter is active
	Mirror is on and parked in gate position (Grey icon if mirror shutter is switched off)
	Mirror is on and parked in view position (Grey icon if mirror shutter is switched off)
	Mirror shutter is running

ND filter activation

1. On the HOME screen, press *EI*.
2. On the EI screen, press *ND FILTER* to move the ND filter in and out of the optical path.

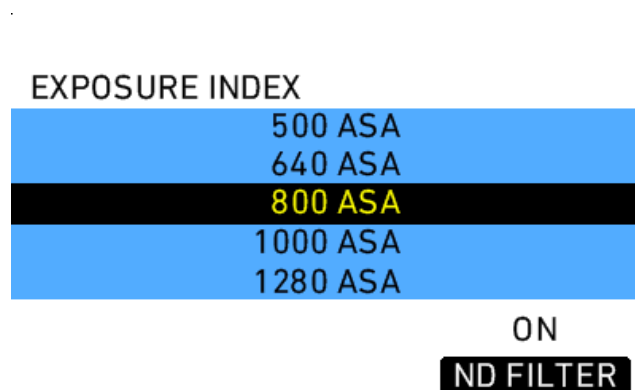
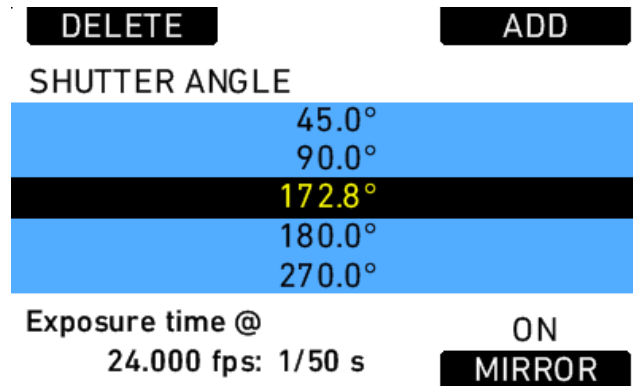


Fig. 66: EI screen

Mirror shutter activation

1. On the HOME screen, press *SHUTTER*.
2. On the SHUTTER ANGLE screen, press *MIRROR* to activate or deactivate the mirror shutter.



NOTICE

- When mirror shutter is active, the shutter angle is limited to 180.0 degrees. Frame rates higher than 37 fps for 4:3, 6:5, and Open Gate, and higher than 48 fps for 16:9 reduce the shutter angle range further.
- For frame rates higher than 30 fps, it is recommended to use a power source with a voltage level of 18-35 V to ensure the mirror shutter is powered sufficiently.

MIRROR PARK buttons VIEW and GATE

The camera left side Operator Controls have two additional function buttons labeled VIEW and GATE. These buttons control the parking position of the mirror shutter.

A spinning mirror shutter can be stopped by pressing either of the two buttons. Pressing the VIEW button will park the mirror in the optical path, enabling a live preview in the optical viewfinder.

Pressing the GATE button will stop the mirror shutter out of the optical path, enabling a live preview on the MON OUT and the EVF in case it is mounted to the camera. Each button is accompanied by a blue LED that lights when the mirror is parked in the respective position. When the mirror shutter is running, both of the LEDs will be active.

Pressing the GATE button while the mirror is parked in the VIEW position will move the mirror shutter by 180.0° degrees into the GATE position.

Pressing the VIEW button while the mirror is parked in the GATE position will move the mirror shutter by 180.0° degrees into the VIEW position.

To restart the mirror shutter, press both VIEW and GATE simultaneously.

NOTICE

After booting the camera, the mirror shutter is parked in the GATE position for safety reasons.

When stopping, the mirror shutter always opens up the electronic sector gate to 180.0°, and closes down when it is restarted.

A live image on EVF and MON OUT is available when the mirror shutter is spinning or parked in the GATE position. A parked mirror shutter will automatically start spinning when recording is started.

When the mirror shutter is switched off, it is parked in the GATE position.

NOTICE

For safety reasons, it is required to power down the camera before performing a "gate check". Do not check or clean the sensor cover glass while the camera is powered up and the mirror is parked in the GATE position!

Frame rate and shutter angle with mirror shutter on

When the mirror shutter is switched on, the sensor frame rate is limited to 60 fps in 16:9 and 48 fps in 4:3.

Frame rates higher than 37 fps in 4:3 or 48 fps in 16:9 reduce the maximum possible mirror shutter angle. When the frame rate change reduces the allowed mirror shutter angle below the currently active shutter angle, the camera automatically sets the shutter angle to 135.0°. The technically possible maximum shutter angle depends on the frame rate.

To set the maximum available shutter angle:

1. Press the *SHUTTER* button on the HOME screen to get to the SHUTTER ANGLE screen.
2. Press the *ADD* button on the SHUTTER ANGLE screen to get to the SHUTTER ANGLE ADD screen.
3. Press the *MAX* button on the SHUTTER ANGLE ADD screen and confirm by pressing the jogwheel twice.

The maximum available shutter angle is now a part of the shutter list and can be set by pressing the jogwheel.

When the mirror shutter is on, the camera redirects the user to the SHUTTER ANGLE screen after setting the sensor frame rate, where the shutter angle can be adjusted as desired. To cancel this action, press the HOME button.

3D setup

When using two ALEXA SXT Studio cameras in a 3D setup, ensure to activate both sensor sync and settings sync. Otherwise, the shutter angle on the slave camera will not match the shutter angle of the master camera.

18 Remote Control Unit RCU-4



The camera can be remotely controlled with an RCU-4. This device mirrors the controls on the camera's right side. It is connected to the camera's Ethernet port. Power is supplied via the Ethernet cable.

To power the RCU-4, connect it to a camera, make sure the camera is powered up, and press the power button.

During boot-up, the RCU-4 compares its firmware version with the camera firmware version. If it detects a difference, it will update itself to match the camera's firmware version. When the update is completed, the RCU-4 will shut down automatically.

The power button of the RCU-4 only affects the RCU-4. It is not possible to power or to shut down the camera with the RCU-4. When the camera is powered down, the RCU-4 shuts down automatically as it loses its power supply.

The LOCK button of the RCU-4 locks only the RCU-4. It does not affect the camera lock.

For more information, please refer to the RCU-4 user manual.

19 Index

1

12 V..... 41

A

About This Manual..... 9
ALEXA Studio Images..... 157
ALEXA SXT Plus..... 139
ALEXA SXT Studio..... 157
Appendix..... 175
ARRI Look File 2 files..... 78
AUDIO..... 72
AUDIO IN..... 40
AUDIO OUT..... 41
Available FSND Filter Sets..... 52

B

Basic precautions..... 52
BAT..... 39
BAT Connector..... 24
Bridge Plate adapter BPA-1..... 36
Bridge Plates BP-12/BP-13..... 35

C

Camera Controls..... 66
Camera Support..... 30
Center Camera Handle CCH-1..... 34
Cine-Style Batteries..... 25
COLOR..... 77
Condensation..... 23
Connector Pin Outs..... 177
Connectors..... 38

D

Dimensions and Weights..... 188
Disclaimer..... 7
Display..... 66
Display + Beeper..... 112

E

EI..... 75
Electronic Mirror Shutter..... 159
Electronic Viewfinder..... 99
Electronic Viewfinder EVF-1..... 30
ETHERNET..... 40
EVF..... 40
EVF-1 Controls..... 120
Explanation of Warning Signs and Indications..... 21
EXT..... 40
External Sync..... 110

F

False Color Display..... 182
False Color Index..... 104
Fan mode..... 113
Filter cleaning..... 64
Firmware - Software Update Packets (SUPs)..... 115
FPS..... 71
Frame Lines..... 103, 131
FSND Filter Set (Basic)..... 53
FSND Filter Set (Completion)..... 53
FSND Filter Set (Full)..... 54
Function Buttons..... 81

G

General Precautions..... 23
General Safety Guidelines..... 21
Gold Mount Batteries..... 27

H

Hand Units..... 143
HOME screen..... 67

I

Imaging..... 107
In-Camera Filter Module IFM-1..... 50
INFO..... 85
Internal recording..... 123
Internal Recording Formats..... 123
Introduction to the ALEXA SXT Camera System 11

L

Layout of the ALEXA..... 19
Lens Adapter PL Mount LA-PL-2..... 159
Lens Adapter PL-Mount LA-PL-2..... 47
Lens Data Display LDD-FP..... 144
Lens Motors..... 142
Lens Mounting..... 47
Lens Support..... 48
Levelling Block LB-1..... 36
Lists and User Lists..... 70

M

Main Controls..... 66
Mains Unit NG 12/26 R..... 25
Maximum lens mounting depth..... 51
Menu..... 94
Minimum Equipment Recommended For
Operation..... 30
Monitoring..... 97, 131
MON OUT 1/2/3..... 40, 101
Mounting in-camera filters..... 61

N

ND Filter..... 167
Network..... 114

O

Onboard Batteries..... 26
Operation of the Camera..... 123
Operator controls..... 119
Optical Viewfinder..... 161
Optics..... 159

P

PLAY..... 91
Plus Camera Controls..... 144
Power..... 110
Powering 12 V Accessories..... 28
Powering 24 V Accessories..... 29
Power Management..... 24
Power Outputs..... 28
Power Supply..... 24
Production Info..... 106
Project..... 105

R

Radio System..... 140
Recording..... 94
Recording Module..... 43, 123
Remote Control Unit RCU-4..... 172
Required shimming and maximum lens mounting
depth..... 52
RET SYNC IN..... 39
RS..... 41

S	
Safety Guidelines.....	21
Safety instructions for in-camera filtration.....	51
Scope.....	10
Screen Buttons.....	67
SD Card.....	41, 114
Shimming the lens mount.....	55
Shoulder Pad SP-3.....	37
SHUTTER.....	75
Side Camera Handle SCH-1.....	35
Specific Safety Instructions.....	21
Status Info Overlays.....	132
Storage and Transport.....	23
Studio Camera Controls.....	168
Syncing the Sensors of Two Cameras.....	135
Syncing the Settings of Two Cameras.....	137
System.....	107
System Time + Date.....	112
T	
TC.....	41, 83
Technical data.....	175
Test Signal.....	111
TIMECODE OPTIONS.....	83
Tripod and Remote Heads.....	30
U	
USER.....	88
USER BITS.....	84
User Pixel Masking.....	108
User Setups.....	117
Using Timecode.....	134
V	
Viewfinder Cables.....	31
Viewfinder CAM menu.....	122
Viewfinder EVF menu.....	120
Viewfinder Mounting Bracket.....	32
V-Lock Batteries.....	26
W	
Warning and Error Messages.....	183
WB.....	80
Web Remote.....	122
Wedge Adapter WA-1 and Quick-Release Plate QR-HD-1.....	36
Wireless Remote System.....	141

20 Appendix

20.1 Technical data

Image Sensor

Type	ALEV III CMOS sensor
Sensor frame rates	0.750 - 120.000 fps
Shutter angle	5.0° - 358.0°
Total active photo sites (incl. surround view)	3168 x 1782 (16:9) 3168 x 2198 (6:5) 3168 x 2198 (4:3) 3424 x 2202 (Open Gate)
Photo sites of recorded image	2880 x 1620 (16:9) 2578 x 2160 (6:5) 2880 x 2160 (4:3) 3424 x 2202 (Open Gate)
Image aperture (incl. surround view)	26.14 x 14.70 mm (16:9) 26.14 x 17.82 mm (6:5) 26.14 x 17.82 mm (4:3) 28.17 x 18.13 mm (Open Gate)
Aperture of recorded image	23.76 x 13.37 mm (16:9) 21.27 x 17.82 mm (6:5) 23.76 x 17.82 mm (4:3) 28.17 x 18.13 mm (Open Gate)
Photo site pitch	8.25 μ m
Aspect ratios	1.78:1 (16:9) 1.2:1 (6:5) 1.33:1 (4:3) 1.55:1 (Open Gate)
Filters	optical low pass, UV, IR
Color filters	RGB primary colors

Lens

Lens mount	Exchangeable lens mount, with PL mount LA-PL-2 installed
Flange focal depth	52.00 mm nominal

Image processing

White balance	2000 - 11000 Kelvin
CC Shift	-12 to +12

EI rating	160 - 3200 ASA
Recorded image resolutions (pixels)	1920 x 1080 (16:9 HD) 2048 x 1152 (16:9 2K) 3200 x 1800 (16:9 3.2K) 3840 x 2160 (16:9 4K UHD) 2880 x 1620 (16:9 ARRIRAW) 3168 x 1782 (16:9 ARRIRAW) 2048 x 858 (6:5 2K Anamorphic) 4096 x 1716 (6:5 4K Cine Anamorphic) 2578 x 2160 (6:5 ARRIRAW) 2880 x 2160 (4:3 2.8K) 3424 x 2202 (Open Gate 3.4K ProRes) 4096 x 2636 (Open Gate 4K Cine) 3424 x 2202 (Open Gate ARRIRAW)
Viewfinder	
Type	ARRI EVF-1
Technology	LCOS imaging device
Resolution	1280 x 784 pixels
Power	
Power supply	DC 10.5 - 34V
Power management	Active ORing between BAT connector and onboard battery adapters
Power consumption	ca. 85W w/o accessories
Power outputs	2 x RS (24V), 1x 12V
Recording	
Recording media	SXR Capture Drives XR Capture Drives Sony SxS PRO and SxS PRO+ cards CFast 2.0 cards
Recording formats	Apple ProRes 422/4444 codec family ARRIRAW
Image Outputs	
Monitoring outputs	EVF out: proprietary signal for EVF-1 with delay <1 frame 3x MON OUT: 422 1.5G @ frame rates: 23.976, 24, 25, 29.97 and 30 fps
Timecode	
Type	Tunable TC clock generator with crystal oscillator

TC input	LTC in
TC outputs	LTC out HD-SDI LTC/VITC out
Others	
SD card	most SD cards with FAT/FAT32 up to 4 GB
Sound level	under 20 dB(A) @ 24 fps and ambient temperature < 25° C / 77° F
Environmental	-20° C to +45° C @ 95% relative humidity max, non condensing

HD video transmitter (ALEXA SXT W only)

Power consumption	7W
Output resolution	1920 x 1080
Frame rates	p: 23.98, 24, 25, 29.97, 30 psF: 23.98, 24, 25, 29.97, 30
Audio	2 channels, 48KHz PCM embedded in HD-SDI signal
Transmission range	600m (2,000 ft) line of sight
Latency	< 1ms
Encryption	128bit AES
Modulation process and other specifics	OFDM (Orthogonal Frequency-Division Multiplexing) Bandwidth 40MHz

WiFi module (ALEXA SXT W only)

IEEE 802.11b: 1/2/5.5/11 Mbit/s	Modulation DSSS, Bandwidth: 22 MHz
IEEE 802.11g: 6/9/12/18/24/36/48/54 Mbit/s	Modulation OFDM, Bandwidth: 20 MHz

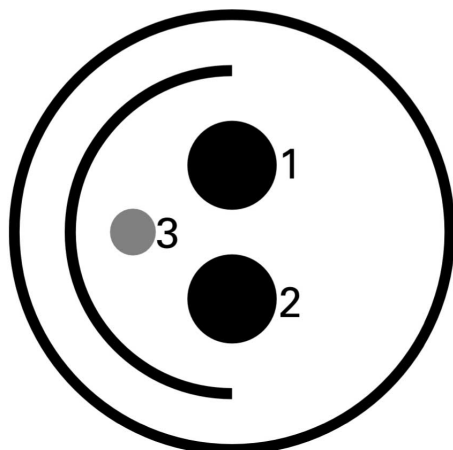
Dimensions and weight

For dimensions and weight, please refer to the dimensional drawings.

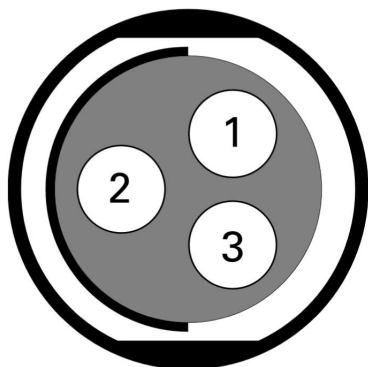
20.2 Connector Pin Outs

NOTICE

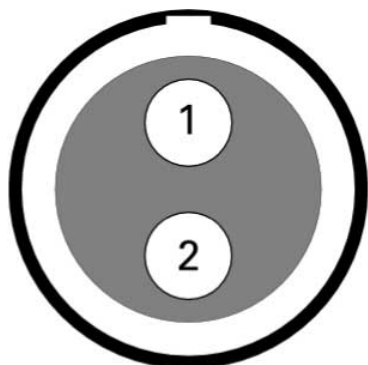
The drawings of the connectors are not to scale.
All pin-outs for camera interfaces appear as seen by the user.

BAT

- 1 GND
- 2 +24V
- 3 BAT-COM

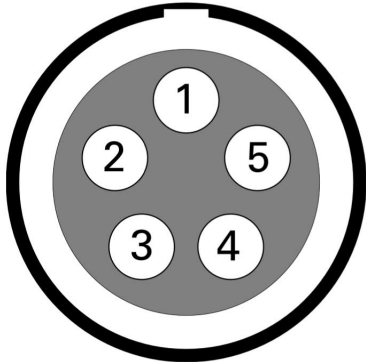
RS

- 1 GND
- 2 24V-AUX
- 3 R/S

12V

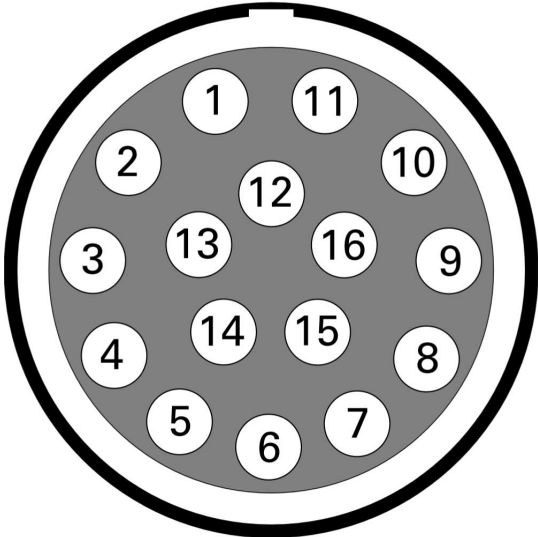
- 1 GND
- 2 12V-AUX

TC

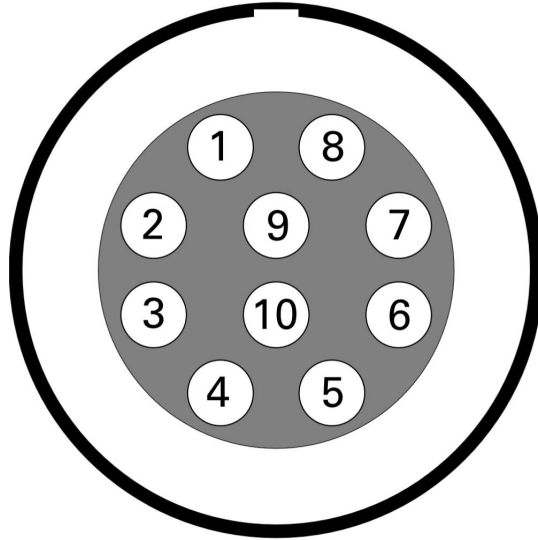


- 1 GND
- 2 LTC IN
- 3 ASCII
- 4 TUNE OUT
- 5 LTC OUT

EXT

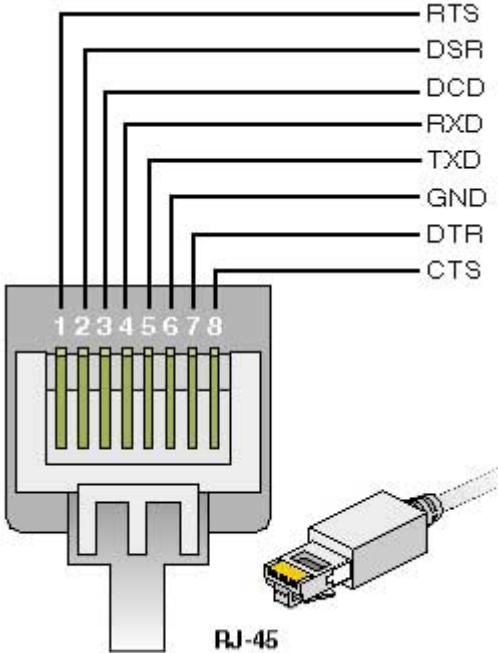


- 1 RS422-TXD(+)
- 2 RS232-TXD
- 3 CAN1-L
- 4 CAN1-H
- 5 CAN2-L
- 6 CAN2-H
- 7 24V-AUX
- 8 RS232-RXD
- 9 RS422-RXD(-)
- 10 RS422-RXD(+)
- 11 RS422-TXD(-)
- 12 GND
- 13 TTL-IN1
- 14 TTL-IN2
- 15 24V-AUX
- 16 GND

ETHERNET Camera Side

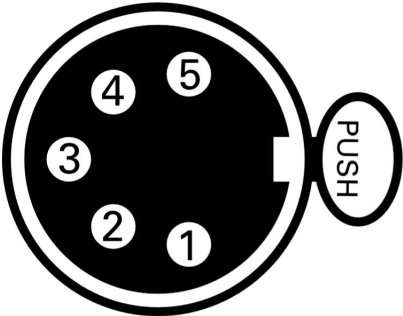
- | | |
|----|--------------------------|
| 1 | MX-1P CTS (white-orange) |
| 2 | MX-1N DTR (orange) |
| 3 | MX-2P GND (white-green) |
| 4 | MX-2N DCD (green) |
| 5 | MX-3P TXD (blue) |
| 6 | MX-3N RXD (white-blue) |
| 7 | MX-4P DSR (white-brown) |
| 8 | MX-4N RTS (brown) |
| 9 | GND |
| 10 | 24V-ETH |

ETHERNET PC Side



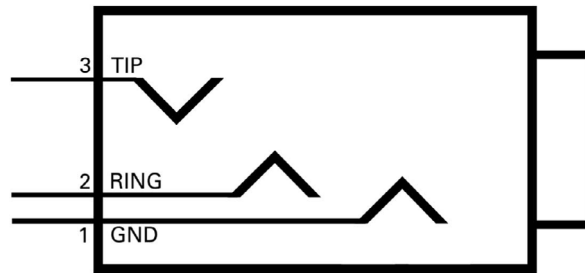
- RTS brown
- DSR white-brown
- DCD green
- RXD white-blue
- TXD blue
- GND white-green
- DTR orange
- CTS white-orange

AUDIO IN



- 1 AGND
- 2 L-IN(+)
- 3 L-IN(-)
- 4 R-IN(+)
- 5 R-IN(-)

AUDIO OUT



- 1 GND
- 2 R-OUT
- 3 L-OUT

20.3 False Color Display

The false color display is a tool to check correct exposure. It can be activated on EVF and MON OUT, and takes the respective gamma setting as a basis for calculation. When active, the image is turned into a greyscale image with important luminance ranges shown in signal colors. Note that the false color tool is only suitable for checking exposure and is not an appropriate tool for checking other image parameters or sensor quality.

Color Encoding

Six different colors are used to show the important luminance ranges.







What	Signal Level		Color
White clipping	100% - 99%	red	
Just below white clipping	99% - 97%	Yellow	
One stop over medium gray (Caucasian skin)	56% - 52%	pink	
18% medium gray	42% - 38%	green	
Just above black clipping	4.0% - 2.5%	blue	
Black clipping	2.5% - 0.0%	purple	

Fig. 67: False Color Encoding

The following example illustrates the behavior of the false color display.



Fig. 68: Night scene captured with ALEXA



Fig. 69: Night scene with false color active

20.4 Warning and Error Messages

If anything unwanted occurs in the camera, it will give a message to the user.

These states, which require attention from the user, are indicated by icons in the main display, the viewfinder and the MON OUT.

Warnings inform the user that a state has changed or that an error is likely to occur, but recording is still possible.

When the camera goes into error state, recording is no longer possible, as it cannot be guaranteed that images are acquired as the user intended, or it is not possible for the camera to record.

The messages give a compact description of what has happened. If more information is required, please refer to the following tables.

Special warnings and errors: Sensor temperature

ALEXA has a Peltier element that keeps the image sensor at a stable temperature. This is important to achieve constant image quality. In certain situations, the camera might not be able to keep the optimal temperature, or it might take some time to reach the optimal temperature. This may be the case directly after booting, or in very hot or cold environments.

A red temperature icon indicates that the sensor temperature is too far off to guarantee a high image quality. A white temperature icon indicates that the sensor temperature is not optimal, but image quality is still within the (very high) quality limits required by ARRI.

The related messages in the INFO screen are shown in the following tables.

Status message

System state: Good	Camera works properly.
--------------------	------------------------

Warning messages and meanings

Main Bat: Power warning	The battery attached to the BAT connector has reached its warning level. Battery power is about to end, and a replacement battery should be prepared.
Onboard Bat: Power warning	The battery attached to the onboard battery adapter has reached its warning level. Battery power is about to end, and a replacement battery should be prepared.

Media: Low capacity	The recording medium has less than 3 minutes recording time left. Prepare a new card for recording.
Media: Prerec space low	The prerecording duration nearly fills the remaining recording time on the recording medium. Prepare a new card for recording.
Media: Rec. inhibited	The recording medium is protected. Remove the card from the camera, slide the switch located on the camera back end to the Rec enable position and re-insert the card.
Media full	The recording medium is full.
Media: Wrong file system	The recording medium is not formatted in the file system required by the camera. Format the medium.
Media too slow	The write speed of recording medium is insufficient for the sensor fps set on the camera. Use a medium with a higher write speed.
Media: files not consistent	The metadata of one or more files on the recording media are not consistent. Backup any data on the medium and format the medium.
Media type not supported	The media type of the current medium is not supported.
Media write problem	The camera has problems writing to the recording medium. Continue with a fresh medium.
Media: wrong recording mode. May contain clips	XR Capture Drive is formatted for ARRIRAW, but ALEXA is in ProRes recording mode, or vice-versa. Format the media to record on it.
Camera overheating	The camera system's temperature is reaching a critical level. This can either be due to a blocked camera fan or ambient temperature exceeding the system's limits. Apply additional cooling or switch off the camera to prevent hardware damage.
Low sensor temperature	The sensor temperature is lower than it should be. High image quality is still guaranteed.
High sensor temperature	The sensor temperature is higher than it should be. High image quality is still guaranteed.
Ext TC: Different frame rate	The external TC signal's time base differs from the project fps of the camera. Syncing is still possible.
Re-jam timecode soon.	Accuracy of jammed Timecode can soon expire. Re-jam camera with external Timecode soon.

Re-jam timecode now.	Accuracy of jammed Timecode has expired. Re-jam camera with external Timecode.
TC source forced to internal	Sensor fps does not match Project fps. External Free Run TC cannot be used, camera has switched to Int Rec Run TC.
TC mode forced to Rec Run	Sensor fps does not match Project fps. External Free Run TC cannot be used, camera has switched to Int Rec Run TC.
Interface bit error. Check image.	Reboot camera. If error continues to occur, contact ARRI service.
Internal processing problem	Reboot camera. If error continues to occur, contact ARRI service.
Internal battery error	The internal battery which powers the real-time clock must be replaced. Contact an ARRI service center near you.
System problem	Reboot the camera. If error continues to occur, contact ARRI service.
System problem (I2C bus error)	Problem on camera data bus. Reboot the camera. If error continues to occur, contact ARRI service.
External TC: Incompatible frame rate	The external TC signal's time base is not accepted by the camera.
HD outs not synced. Trigger now.	Appears on slave cam with Ext sync activated, but not using settings sync. Send trigger from Ext sync master camera to ensure the MON OUTs of both cameras are in sync.
Connect with Ethernet slave.	Camera is set to Settings sync: ETH master, but is not connected with slave camera via Ethernet
Connect with Ethernet master.	Camera is set to Settings sync: ETH slave, but is not connected with master camera via Ethernet
External TC: Jamming. Please wait.	Camera jams to external TC signal. Do not disconnect TC source from camera until warning disappears.
External TC: Signal missing	Camera is set to Ext LTC regen, but external TC signal is missing.
External TC: Incompatible frame rate	The external TC signal has a time base that does not match the project fps of the camera.
Framegrab: Grabbing image failed	A problem occurred in the camera. The frame grab failed.

Framegrab: Storing image failed	A problem occurred with the SD card. The frame grab failed.
Playback failed	The camera could not play back the internally recorded clips.
EVF smooth mode not possible	Smooth mode is set to "On", but either sensor fps is higher than 30.000, or shutter angle is higher than 180.0
Ext LTC: Forced to JAM sync	Ext LTC had to be switched to Jam sync by camera system.
Card/Media removed, playback failed	Camera had to abort playback, as media was removed.
Calibrate lens motors.	New lens motors are attached to the camera. Prior to use they must be calibrated.
Temperature at limit. Fan RPM raised	Although camera fan is in "Rec low" mode, fan noise might exceed silent level because camera is becoming too hot.
Master/slave: Focus unit mismatch	With ALEXA SXT Plus and 3D lens sync, both cameras must have same focus unit activated, which is not the case here.
Slave: No lens table active.	With ALEXA SXT Plus and 3D lens sync, select lens table on slave when using LDA.
Sensor in High Humidity mode	Reminder for active High Humidity mode
ND filter stuck	ALEXA SXT Studio only. ND filter slider has mechanical problems.
Mirror sector problem	ALEXA SXT Studio only. Mirror sector has mechanical problems.
Mirror cannot reach sync speed	ALEXA SXT Studio only. Mirror cannot reach speed due to technical problems.
Voltage too low for mirror	ALEXA SXT Studio only. Power supply voltage level insufficient to drive mirror shutter.
Mirror out of phase	ALEXA SXT Studio only. Mirror shutter and sensor are out of phase, may result in exposure artifacts.
Mirror failure. Press GATE or VIEW.	ALEXA SXT Studio only. Mirror shutter initialization failed, press GATE or VIEW to reset mirror shutter manually.

Some buttons are defect	Camera button signals are failing. Reboot camera. If reappearing after reboot, contact service for button replacement. Mostly hardware problem.
Media: Data rate low. Check last clip.	Data rate of last recorded clip is very low. Check for artifacts in replay. Can also occur when forgetting to remove lens cap during recording.
LDS failure. Reboot.	The lens data system has failed. Restart the camera if LDS is used.

Error messages and meanings

Main Bat: Low power	The battery attached to the BAT connector has reached its low level (10% below warning level). Battery must be replaced.
Onboard Bat: Low power	The onboard battery has reached its low level (10% below warning level). Battery must be replaced.
All Bats: Low power	Batteries on both BAT connector and onboard battery(s) have to be replaced.
Media end of lifetime	The recording medium has reached the end of its life cycle and has become read-only. Use a new medium.
Media: Write speed error	The current write speed could not be handled by the recording medium.
Camera overheating	The camera is getting too warm. Apply additional cooling or shut down to prevent hardware damage.
Low sensor temperature	Sensor temperature is out of range. Wait until error message disappears before continuing to shoot.
High sensor temperature	Sensor temperature is out of range. Wait until error message disappears before continuing to shoot.
System error	Reboot the camera.
Codec error. Reboot.	An error in the compression module has occurred, and recording was aborted. Reboot the camera.
Sensor error. Reboot.	The image sensor has a problem. Reboot the camera.
Sensor boot error	The sensor has not booted. Reboot the camera.

Interface error. Reboot.	An internal data interface has a problem. If re-booting does not solve the problem, contact the ARRI service.
Fan error. Contact service.	The fan module is not working properly. Either install an SFM-1, or contact the ARRI service.
Fatal system error. Shut down camera.	Camera has to be rebooted. If this error continues to occur, a hardware problem might be the reason. Contact the ARRI service.
Sync clock out of range.	The sync signal clock does not match the camera setting. Make sure the settings match.
Syncing sensor	Slave camera syncs to master camera. Wait until message disappears before starting to record.
Synced camera is not ready	One of the slave cameras is not ready for recording.
Software error. Reboot.	A part of the camera software has stopped functioning properly and requires a camera reboot.
Internal audio recording failed	Audio recording on internal medium failed.
REC error. Reboot.	Error in the recording module. Reboot camera.
Mirror shutter not calibrated	ALEXA SXT Studio only. Mirror shutter must be calibrated by ARRI service.
Mirror shutter phase error	ALEXA SXT Studio only. Mirror shutter continuously not in phase with sensor. If rebooting does not solve the problem, contact ARRI service.
Mirror shutter: Cannot reach sync speed	ALEXA SXT Studio only. Mirror shutter continuously not reaching sync speed. If rebooting does not solve the problem, contact ARRI service.

If any error that requires rebooting occurs repeatedly, contact the ARRI service.

20.5 Dimensions and Weights

Dimensional drawings including weights information are attached to the end of this document. A version with higher resolution can be downloaded from the ARRI website: <http://www.arri.com/camera/alexa/downloads/>.

20.6 Declarations of Conformity

Note: Changes or modifications not expressly approved by the party responsible for compliance could void the user's authority to operate the equipment.

EU Declaration of Conformity

The product ALEXA SXT EV conforms to the specifications of the following European directives:

- DIRECTIVE 2011/65/EU OF THE EUROPEAN PARLIAMENT AND OF THE COUNCIL of 8 June 2011 on the restriction of the use of certain hazardous substances in electrical and electronic equipment (recast)
- DIRECTIVE 2014/30/EU OF THE EUROPEAN PARLIAMENT AND OF THE COUNCIL of 26 February 2014 on the harmonisation of the laws of the Member States relating to electromagnetic compatibility

The products ALEXA SXT Plus, ALEXA SXT Studio, and ALEXA SXT W conform to the specifications of the following European directives:

- DIRECTIVE 2011/65/EU OF THE EUROPEAN PARLIAMENT AND OF THE COUNCIL of 8 June 2011 on the restriction of the use of certain hazardous substances in electrical and electronic equipment (recast)
- DIRECTIVE 2014/53/EU OF THE EUROPEAN PARLIAMENT AND OF THE COUNCIL of 16 April 2014 on the harmonization of the laws of the Member States relating to the making available on the market of radio equipment

The compliance with the requirements of the European Directives was proved by the application of the following harmonized standards:

- EN 62368-1:2014/AC2015;
- EN 301 489-1 V2.1.1; EN 301 489-17 V3.1.1; EN 55032:2015, EN 55103-2:2009
- EN 301 893 V1.8.1
- EN 50581:2012

To evaluate the respective information we used:

http://ec.europa.eu/growth/single-market/european-standards/harmonised-standards/index_en.htm

Munich, 01 August 2017

sign Walter Trauninger
Managing Director

sign Dr. Sebastian Lange
Head of Quality Management

FCC Compliance Statement

Class A Statement: This equipment has been tested and found to comply with the limits for a Class A digital device, pursuant to Part 15 of the FCC Rules. These limits are designed to provide reasonable protection against harmful interference when the equipment is operated in a commercial environment.

Note: This equipment generates, uses, and can radiate radio frequency energy and, if not installed and used in accordance with the instruction manual, may cause harmful interference to radio communications. Operation of this equipment in a residential area is likely to cause harmful interference in which case the user will be required to correct the interference at his own expense.

- **ECS transceiver module*:** FCC ID: Y7N-EMIP300
- **Wireless video module**:** FCC ID: Y7N-AVTS35253
- **WiFi module**:** FCC ID: PVH0965

Industry Canada Compliance Statement

Complies with the Canadian ICES-003 Class A specifications.

Cet appareil numérique de la Classe A est conforme à la norme NMB-003 du Canada.

This device complies with RSS-210 of Industry Canada.

Cet appareil est conforme à CNR-210 d' Industrie Canada.

This Class A device meets all the requirements of the Canadian interference-causing equipment regulations

Cet appareil numérique de la Classe A respecte toutes les exigences du Règlement sur le matériel brouilleur du Canada.

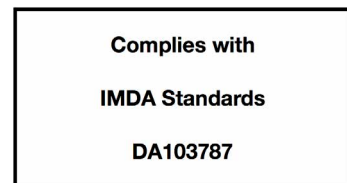
- **ECS transceiver module***: IC ID: 9482A-EMIP300
- **Wireless video module****: IC: 7680A-AMNKHIN1
- **WiFi module****: IC: 5325A-0965

China

- **ECS transceiver module***: 本设备包含型号核准代码（分别）为：
CMIIT ID: 2017DJ4562 (M)
... 的无线电发射模块。
- **Wireless video module****: 本设备包含型号核准代码（分别）为：
CMIIT ID: 2017AJ4701 (M)
... 的无线电发射模块。
- **WiFi module****: 本设备包含型号核准代码（分别）为：
CMIIT ID: 2017DJ4549 (M)
... 的无线电发射模块。
- **ALEXA SXT W**: 本设备包含型号核准代码（分别）为：
CMIIT ID: 2017AJ5636
... 的无线电发射模块。

Singapore

- **ALEXA SXT W**: Dealer's License No: DA103787



Japan

- **ECS transceiver module***: MIC-ID: 011-150023
- **WiFi module****: MIC-ID: 204-510009
- **Wireless video module****: MIC-ID: 001-A03519



South Korea

Statements for 2.4 GHz Devices: “해당무선설비는 운용 중 전파 혼신 가능성이 있음.”
 Translation for reference only: This radio device has the possibility of radio interference.

- **ECS transceiver module***: Certification No: MSIP-CRM-Arg-EMIP300
- **WiFi module****: Certification No: MSIP-CRM-ULX-ODIN-W260
- **Wireless video module****: Certification No: MSIP-CRM-ARg-AVTS35253
- **ALEXA SXT W**: Certification No: MSIP-REM-ARg-ALEXA-SXT-W



United Arab Emirates

- ALEXA SXT W: Dealer No: DA68290/17 (valid until: 28th Aug. 2022)
- ALEXA SXT W: Registered No: ER57659/17 (valid until: 29th Aug. 2020)

Taiwan

低功率電波輻射性電機管理辦法

警語一

經型式認證合格之低功率射頻電機，非經許可，公司、商號或使用者均不得擅自變更頻率、加大功率或變更原設計之特性及功能。

(即低功率電波輻射性電機管理辦法第十二條)

The low-power radio-frequency devices must not be altered by changing the frequency, enhancing emission power, adding external antenna, and modification of original design characteristic as well as function.

警語二

低功率射頻電機之使用不得影響飛航安全及干擾合法通信；經發現有干擾現象時，應立即停用，並改善至無干擾時方得繼續使用。

前項合法通信，指依電信法規定作業之無線電通信。低功率射頻電機須忍受合法通信或工業、科學及醫療用電波輻射性電機設備之干擾。

(即低功率電波輻射性電機管理辦法第十四條)

The operation of the low-power radio-frequency devices is subject to the conditions that no harmful interference is caused. The user must stop operating the device immediately should harmful interference is caused and shall not resume until the condition causing the harmful interference has been corrected.

Moreover, the interference must be accepted that may be caused by the operation of an authorized communications, or ISM equipment.

警語三

在5.25G~5.35G頻帶內操作之無線資訊傳輸設備僅適於室內使用

5250MHz-5350MHz is allowed to use for indoor only.

South Africa

**TA-2017/1397
APPROVED**

* ALEXA SXT Plus, ALEXA SXT W, and ALEXA SXT Studio only

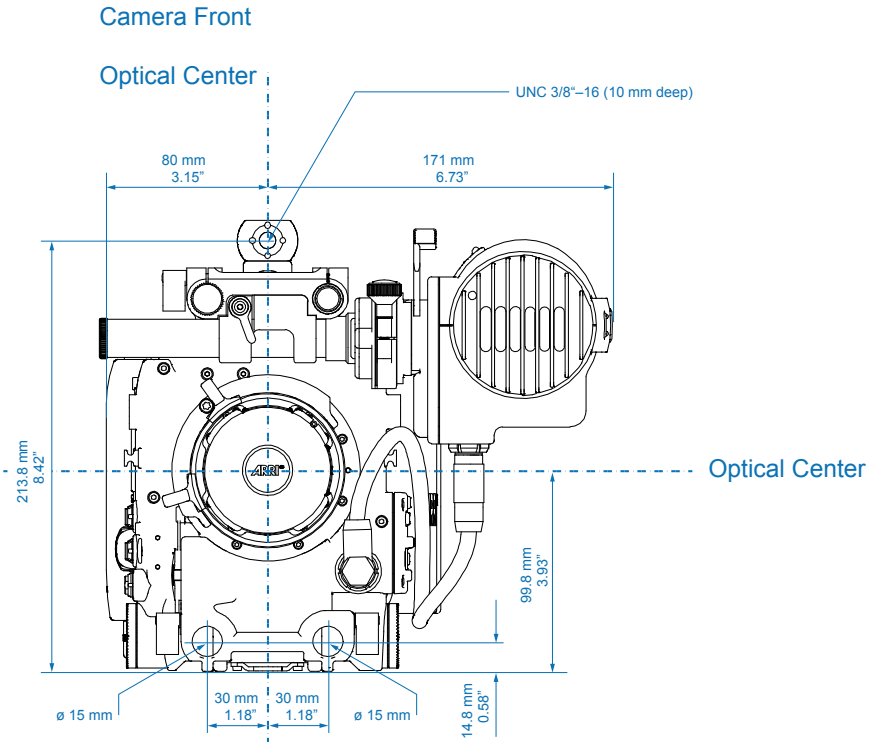
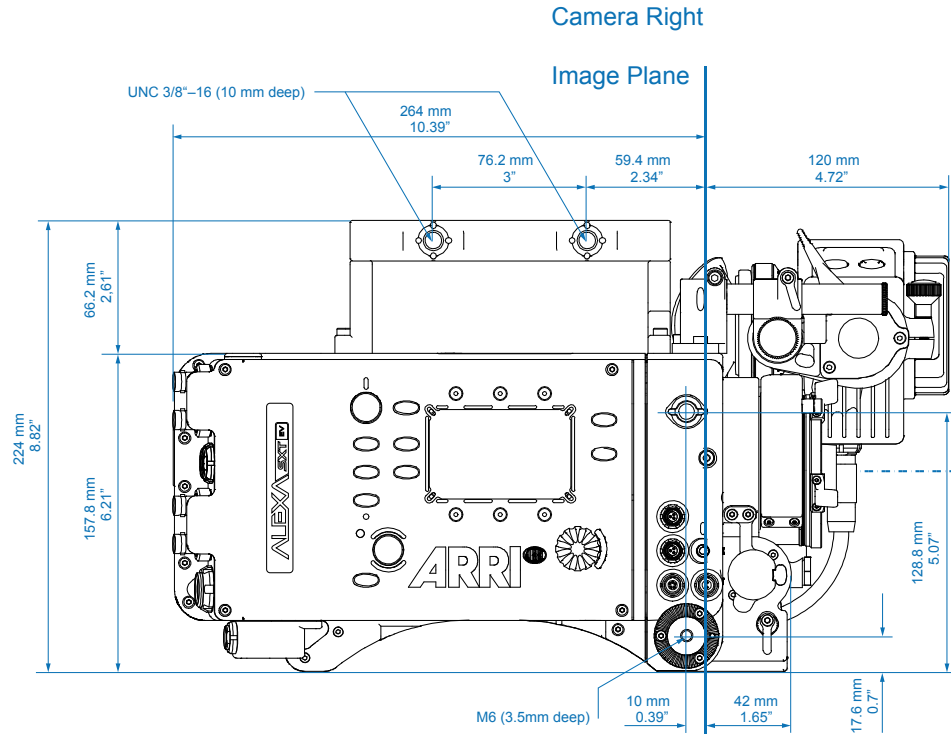
** ALEXA SXT W only

ALEXA SXT EV



CAMERA DIMENSIONS – Version 2015-11

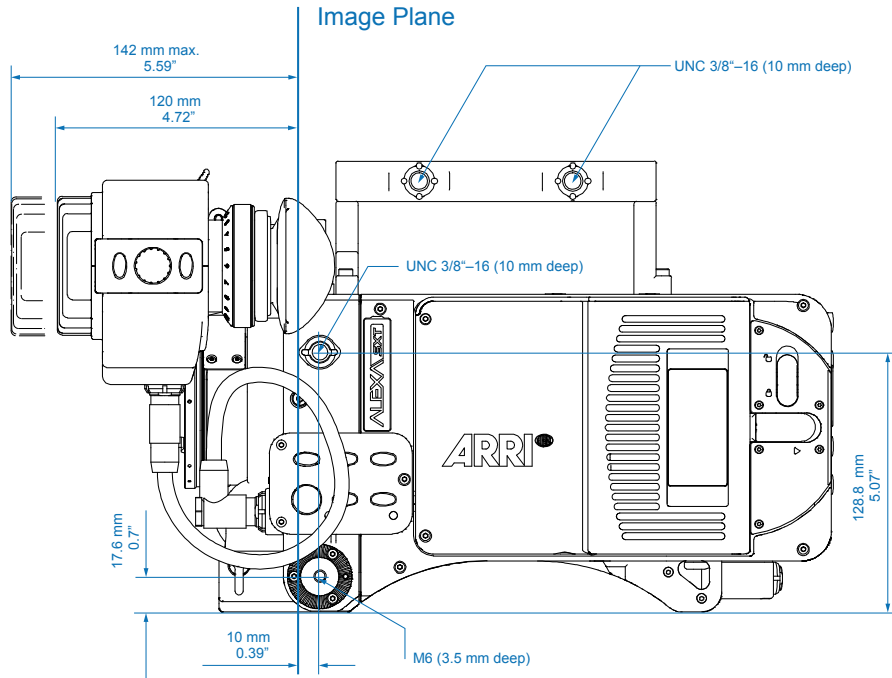
Technical Data are subject to change without notice.



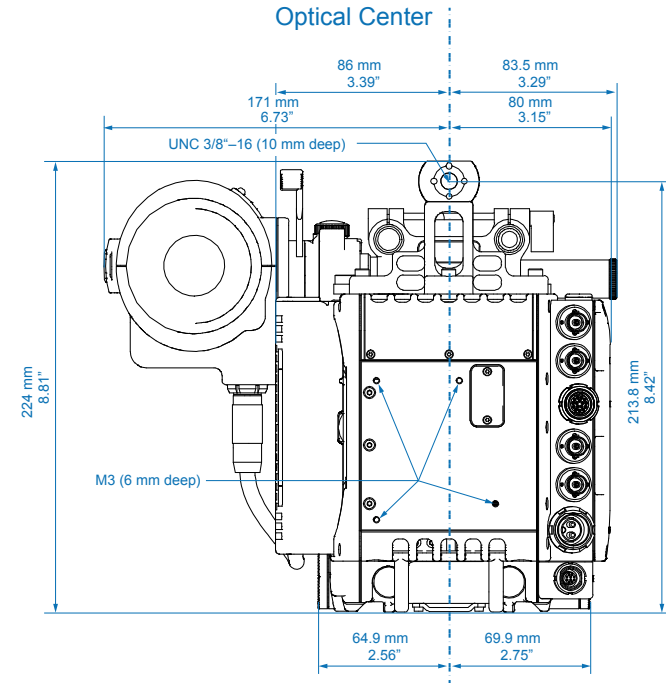
ALEXA SXT EV

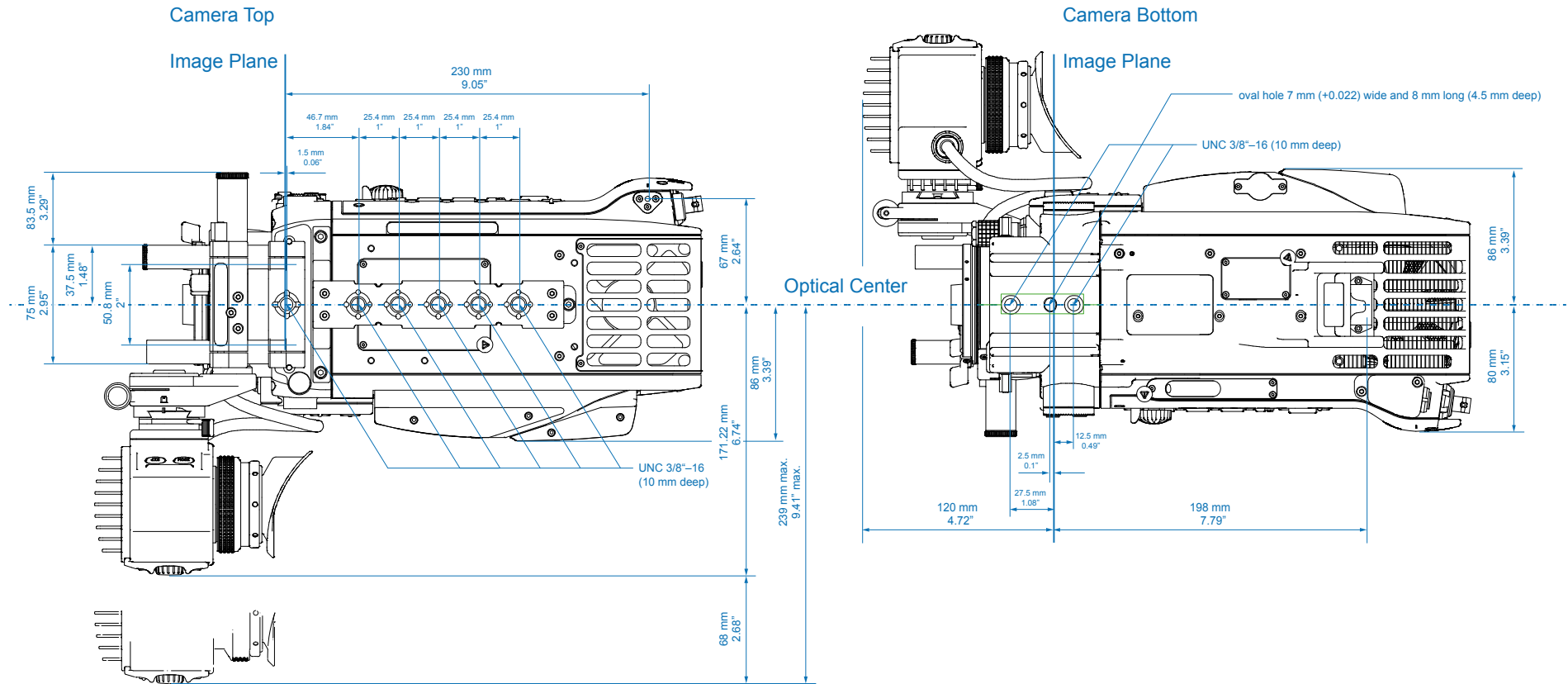
	Length	Width	Height	Weight
Body	321 mm - 12.64"	166 mm - 6.54"	157.8 mm - 6.21"	6.5 kg - 14.3 lb
Body, Camera Center Handle (CCH-1), Electronic Viewfinder EVF-1, EVF-1 cable KC-150-S, Viewfinder Mounting Bracket (VMB-3)	384 mm - 15.12"	251 mm - 9.88"	224 mm - 8.82"	8.0 kg - 17.6 lb

Camera Left



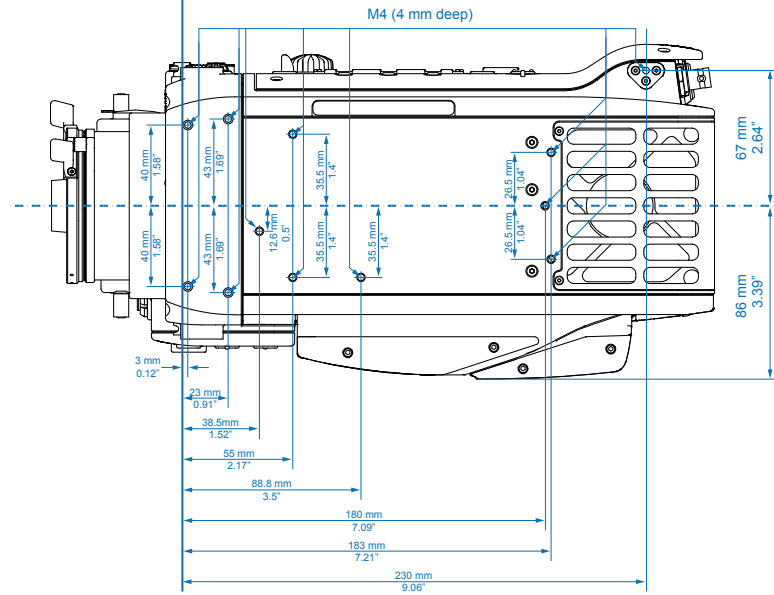
Camera Back





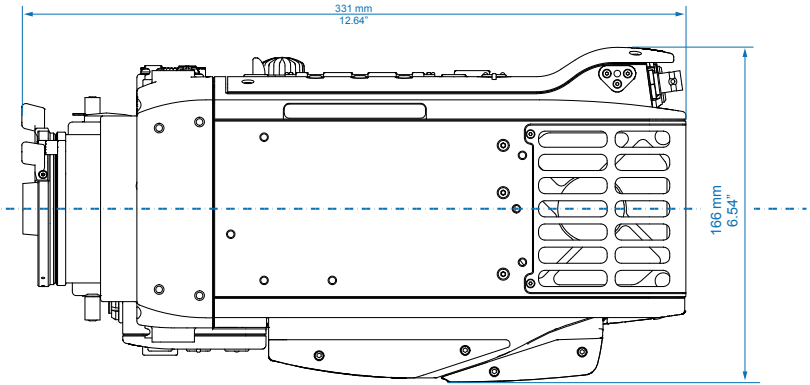
Camera Top

Image Plane



Camera Top

Optical Center

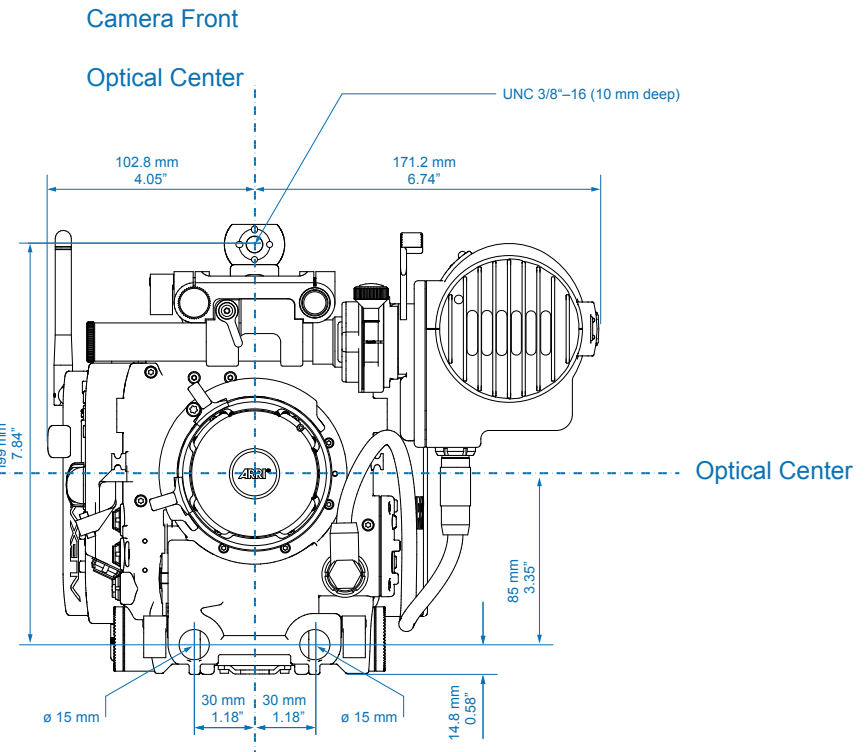
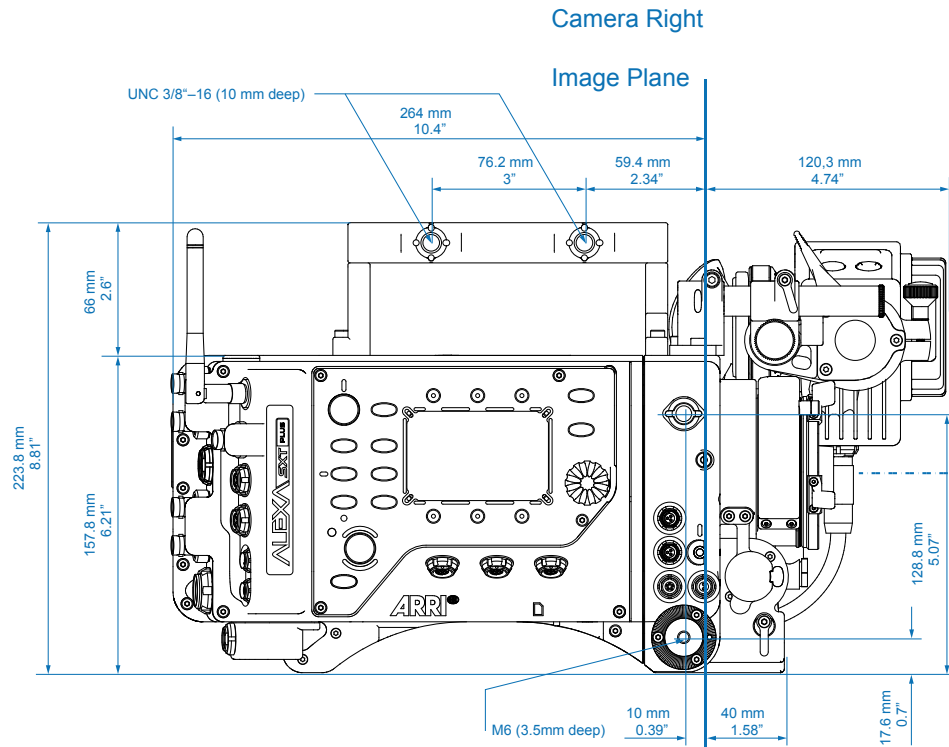


ALEXA SXT Plus



CAMERA DIMENSIONS – Version 2016-08

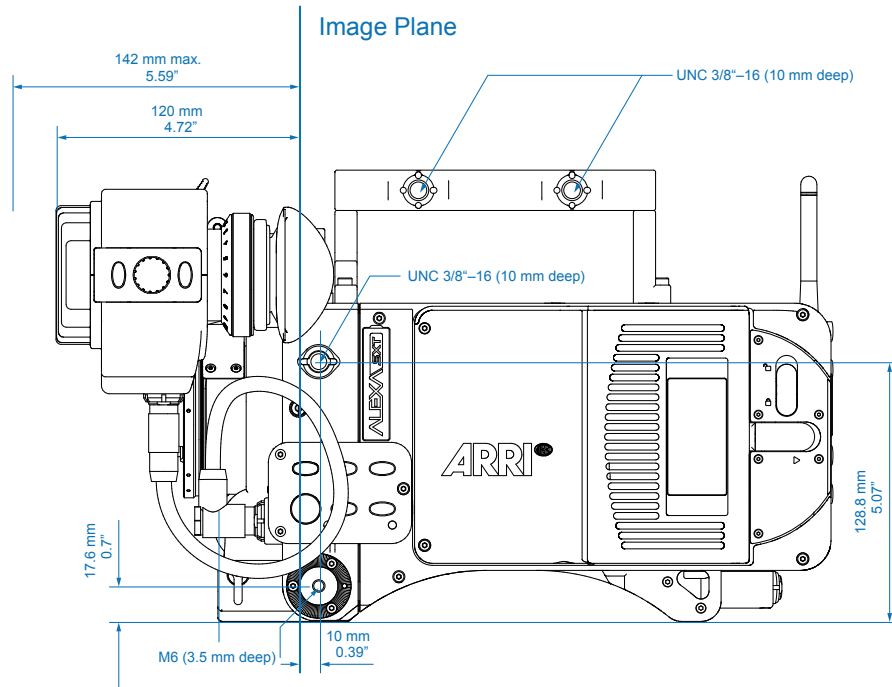
Technical Data are subject to change without notice.



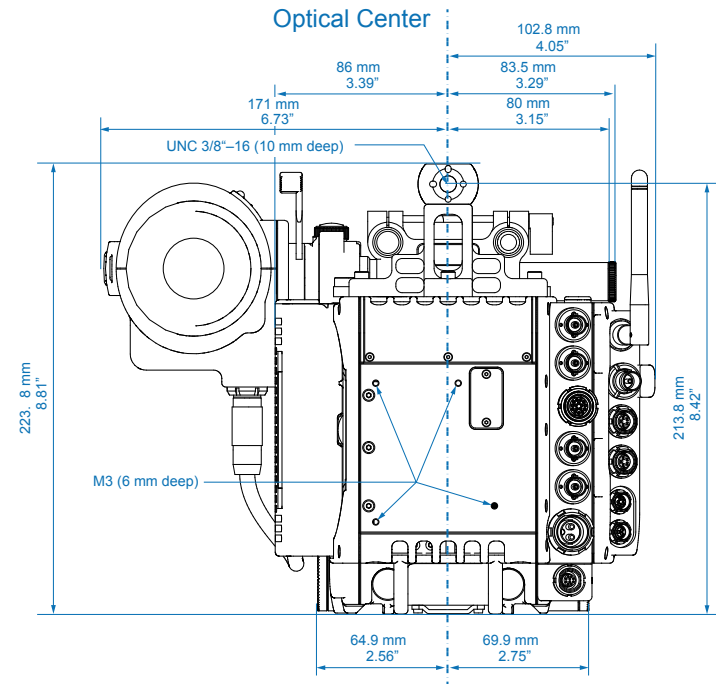
ALEXA SXT Plus

	Length	Width	Height	Weight
Body	321 mm - 12.64"	189 mm - 7.44"	157.8 mm - 6.21"	6.9 kg - 14.3 lb
Body, Camera Center Handle (CCH-1), Electronic Viewfinder EVF-1, EVF-1 cable KC-150-S, Viewfinder Mounting Bracket (VMB-3)	384 mm - 15.12"	251 mm - 9.88"	224 mm - 8.82"	8.4 kg - 18.6 lb

Camera Left



Camera Back

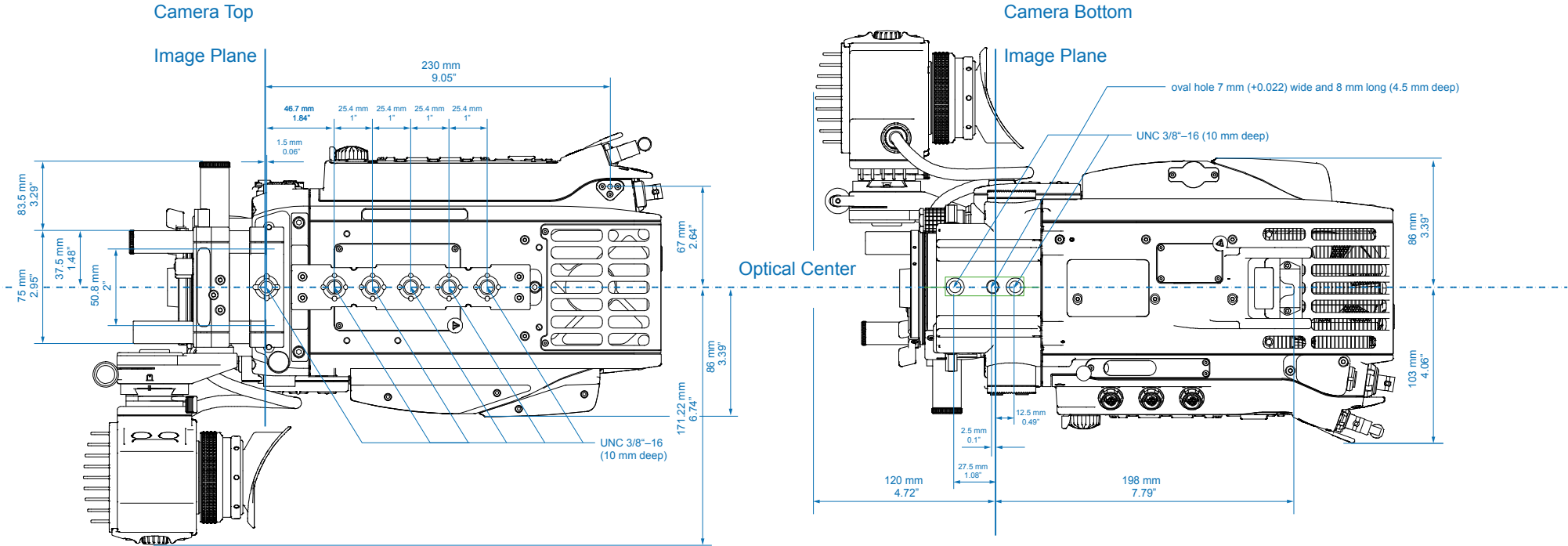


ALEXA SXT Plus



CAMERA DIMENSIONS – Version 2016-08

Technical Data are subject to change without notice.



ALEXA SXT Plus

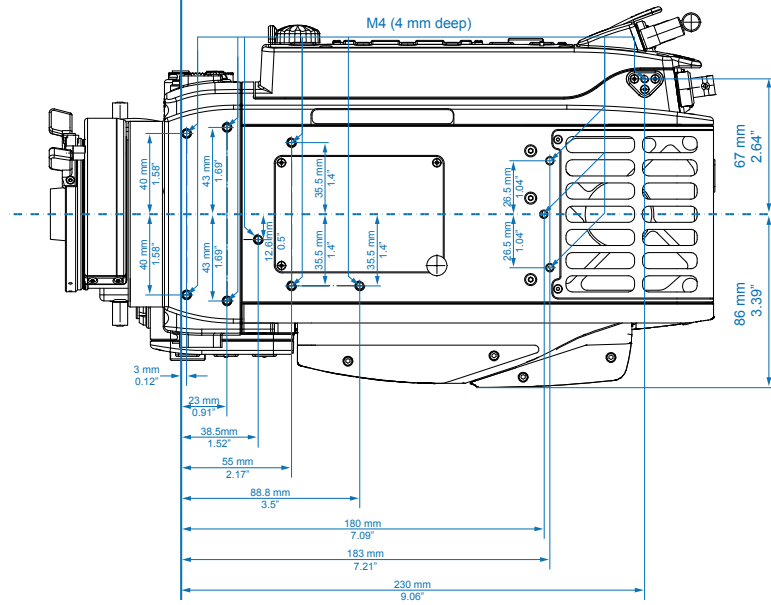


CAMERA DIMENSIONS – Version 2016-08

Technical Data are subject to change without notice.

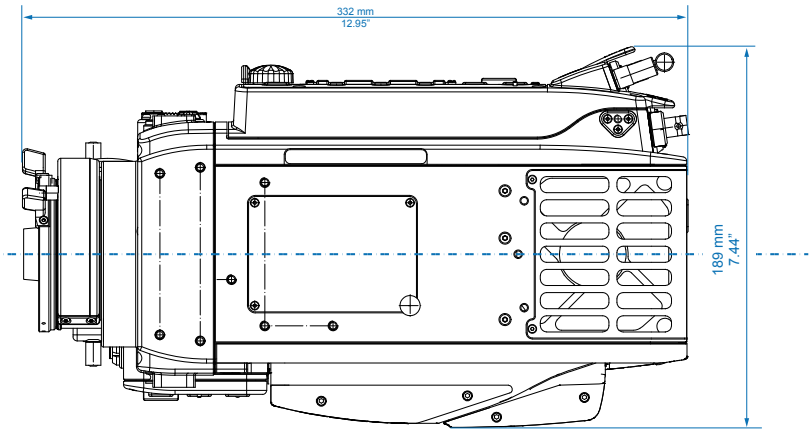
Camera Top

Image Plane



Camera Top

Optical Center

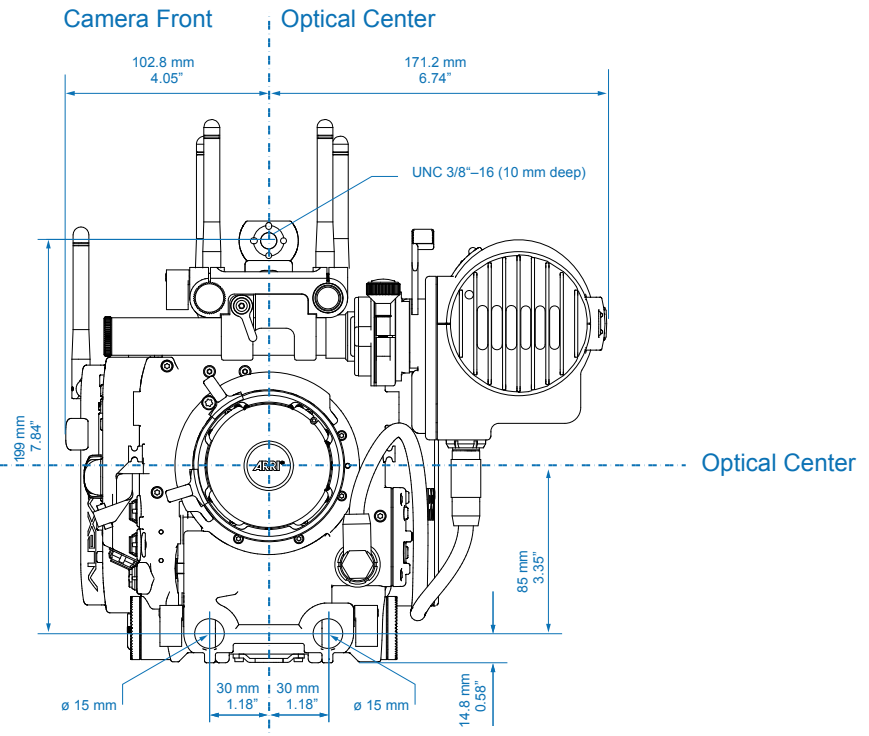
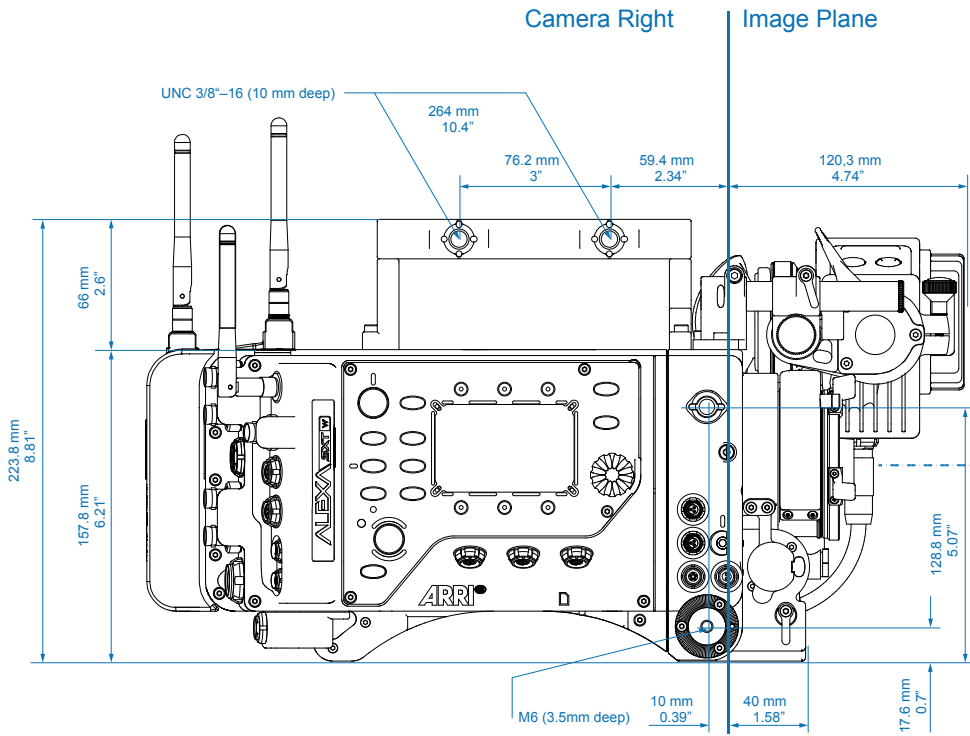


ALEXA SXT W



CAMERA DIMENSIONS – Version 2017-09

Technical Data are subject to change without notice.



ALEXA SXT W

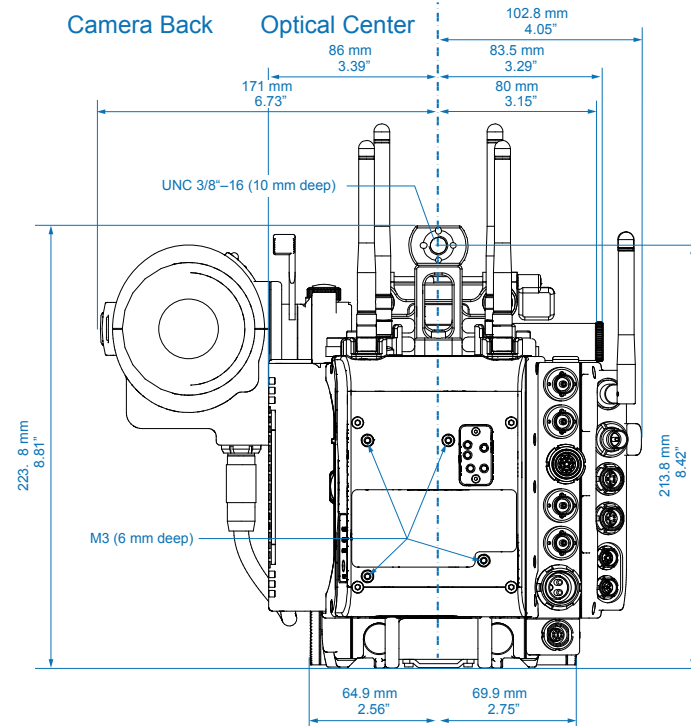
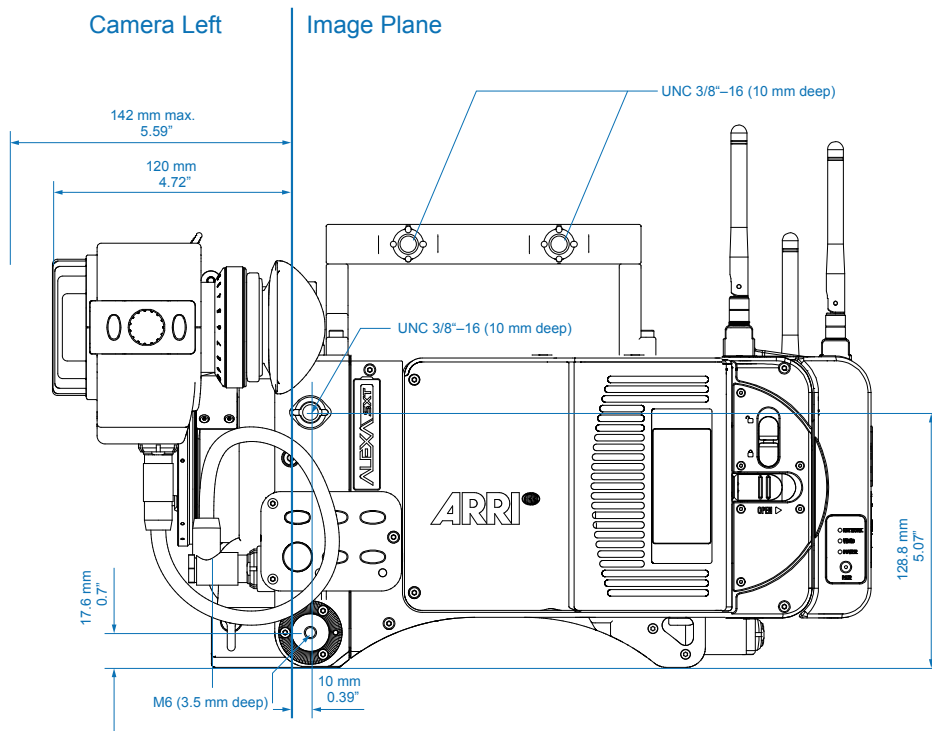
	Length	Width	Height	Weight
Body	351 mm - 13.82"	189 mm - 7.44"	157.8 mm - 6.21"	7.4 kg - 16.3 lb
Body, Camera Center Handle (CCH-1), Electronic Viewfinder EVF-1, EVF-1 cable KC-150-S, Viewfinder Mounting Bracket (VMB-3)	414 mm - 16.3"	251 mm - 9.88"	224 mm - 8.82"	8.9 kg - 19.6 lb

ALEXA SXT W



CAMERA DIMENSIONS – Version 2017-09

Technical Data are subject to change without notice.

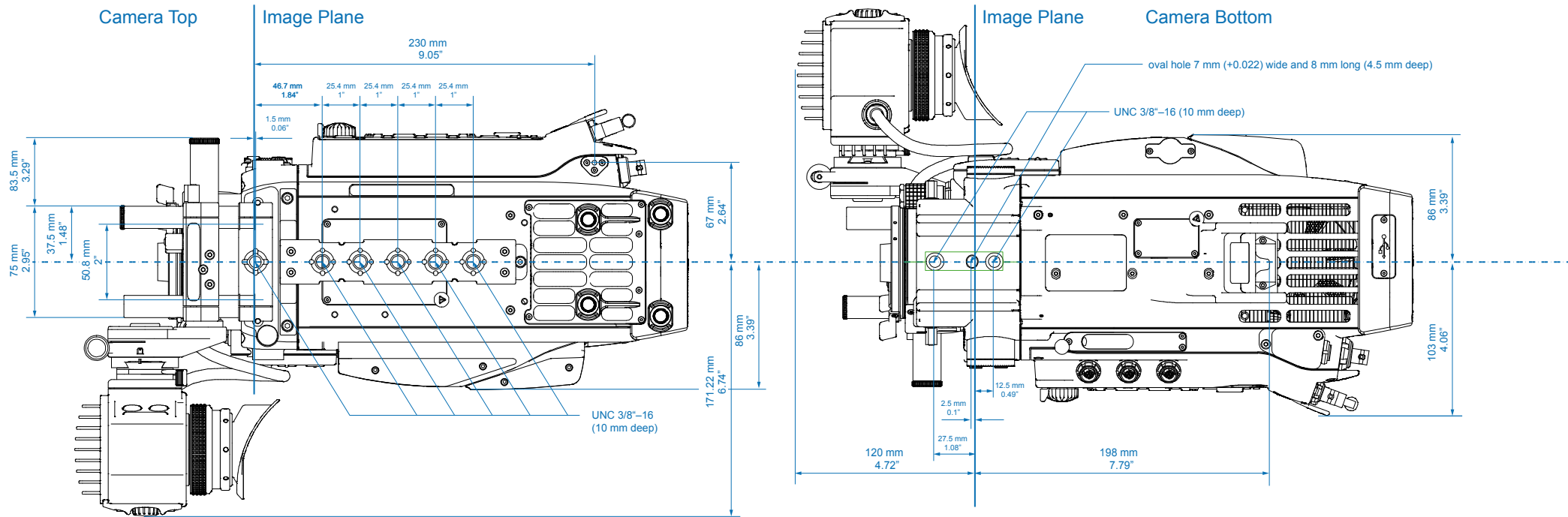


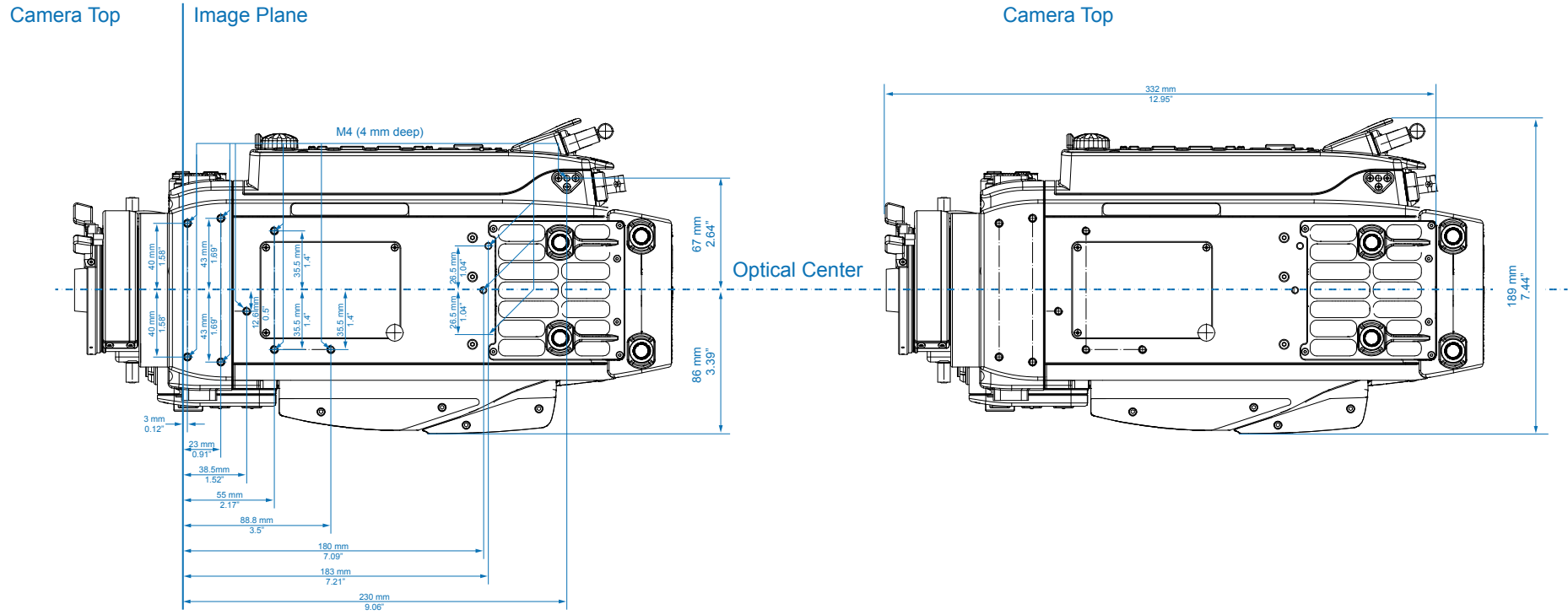
ALEXA SXT W

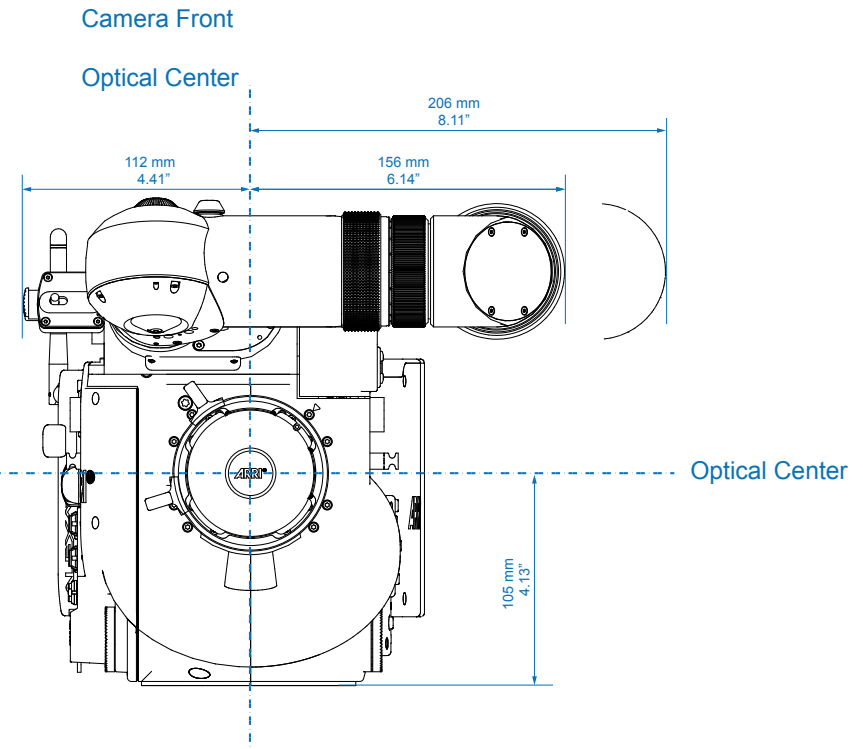
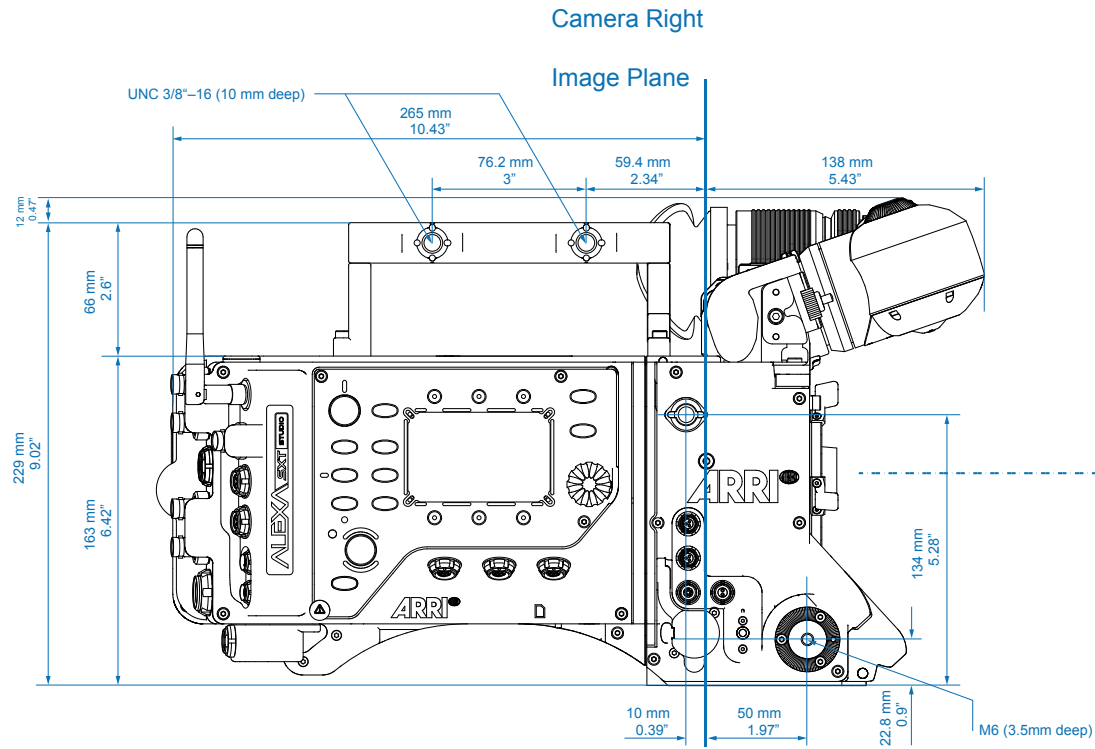


CAMERA DIMENSIONS – Version 2017-09

Technical Data are subject to change without notice.

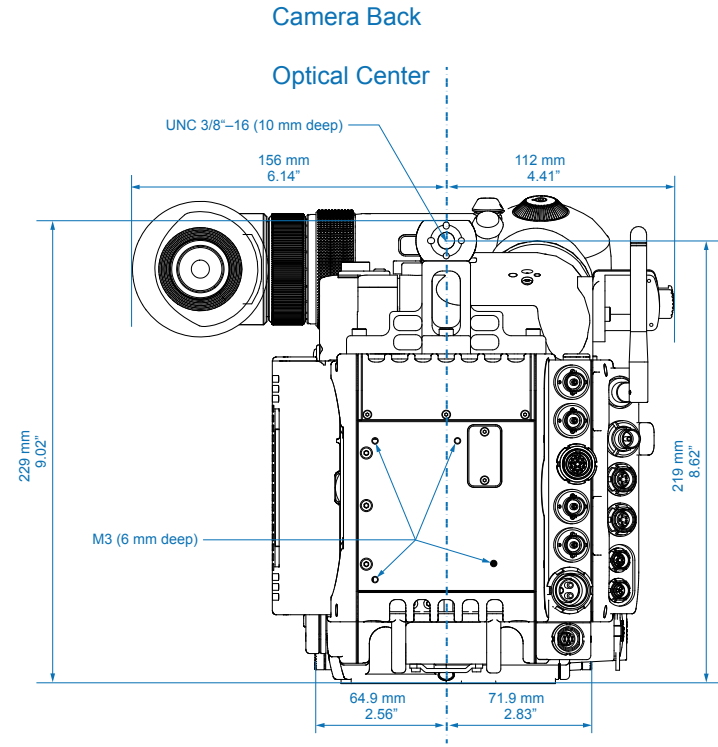
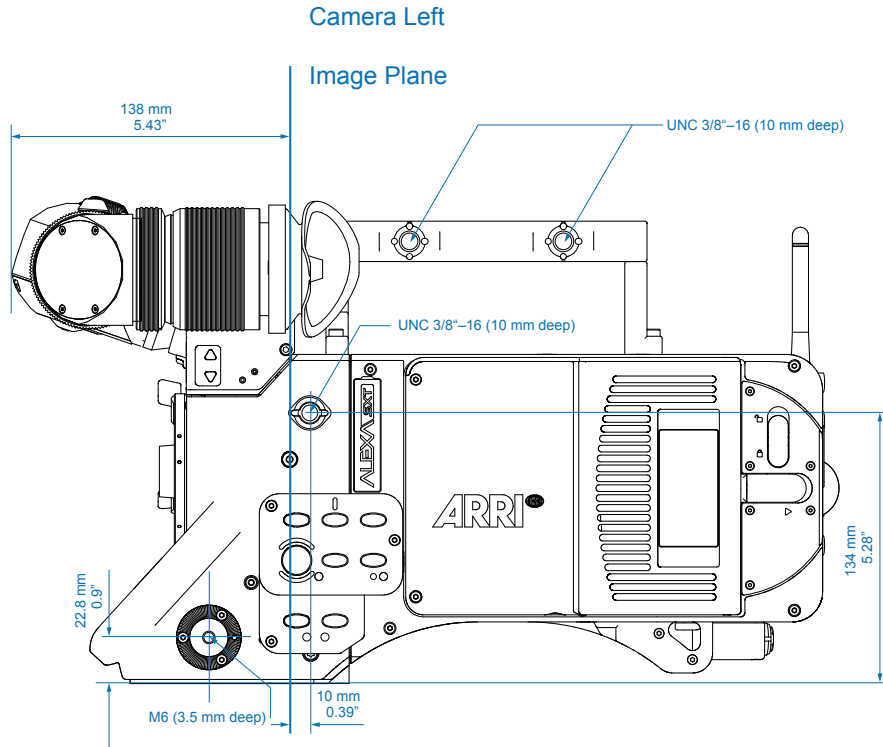




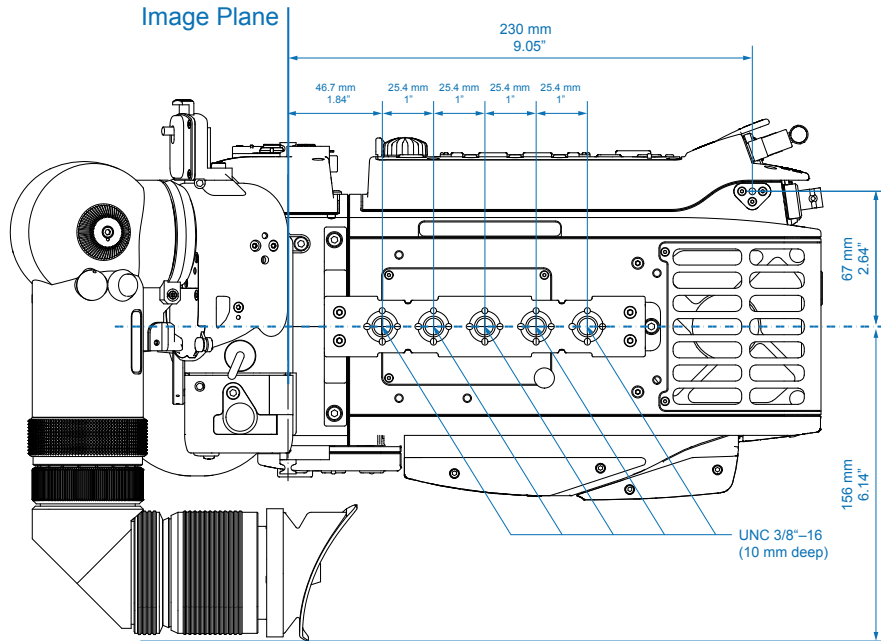


ALEXA SXT Studio

	Length	Width	Height	Weight
Body	364 mm - 14.33"	189 mm - 7.44"	163 mm - 6.42"	8.2 kg - 18.1 lb
Body, Camera Center Handle (CCH-1), Optical Viewfinder OVF-1	402 mm - 15.9"	268 mm - 10.55"	241 mm - 9.49"	10.3 kg - 22.8 lb
Body, Camera Center Handle (CCH-1), Electronic Viewfinder EVF-1, EVF-1 cable KC-150-S, Viewfinder Mounting Bracket (VMB-3)	402 mm - 15.9"	268 mm - 10.55"	241 mm - 9.49"	9.8 kg - 21.7 lb



Camera Top



Camera Bottom

